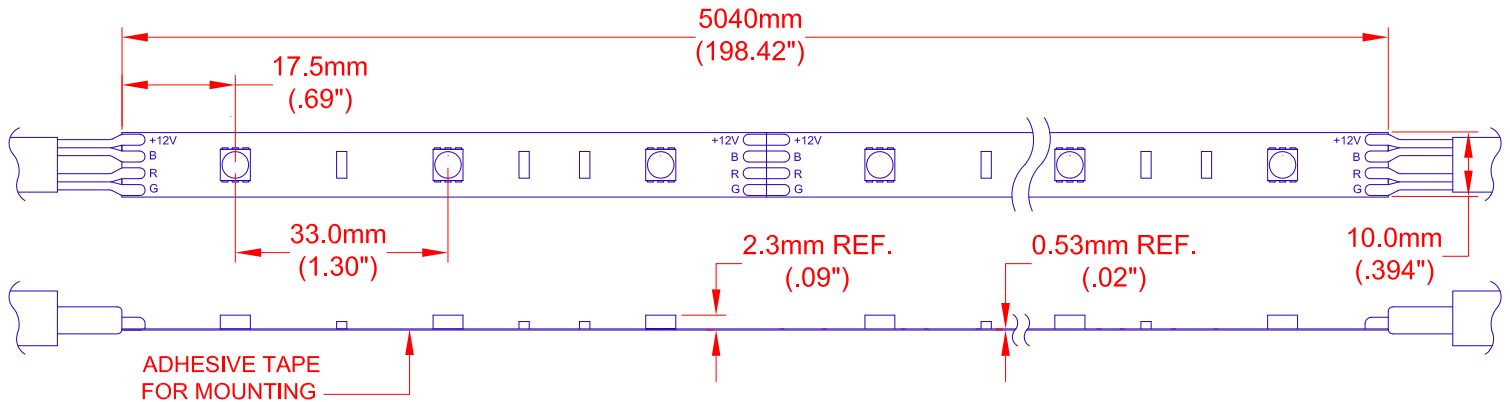
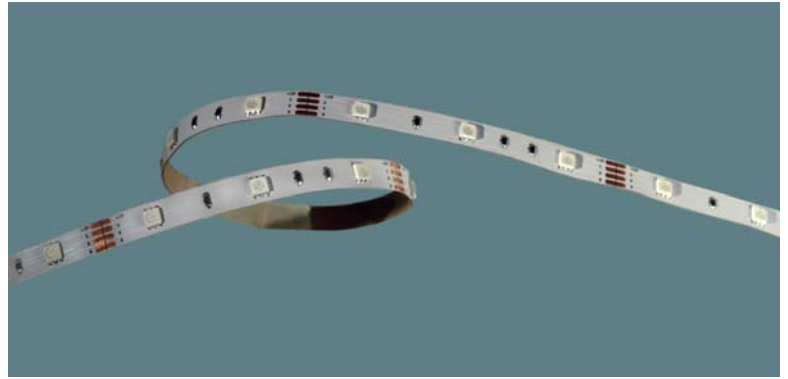


# FEATURES

# 10mm X 5040mm RGB LIGHT RIBBON

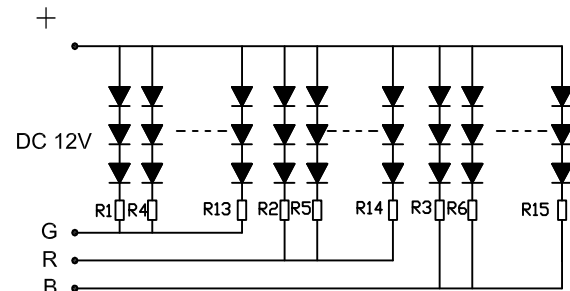
VOLTAGE: 12V DC  
 CURRENT: 3A  
 LED VIEWING ANGLE (2 θ 1/2): 100°

STANDARD PACKAGING:  
 5 METER REEL (150 LED'S)  
 OPTIONAL PACKAGING:  
 INDIVIDUAL 504mm SECTIONS (15 LED'S)  
 ORDER AS ZFS-10504-RGB/SEC  
 Note: Individual Sections ARE NOT supplied with insulated wire connections.



### Electrical/Optical Characteristics at TA = 25°C

Parameter	Symbol	Color	Condition	Min	Typ	Max	Unit
Forward Voltage DC	VF	RGB	IF = 3A	--	12	--	V
Dominant Wavelength	λD	R	IF = 1A	621	624	--	nm
		G	IF = 1A	515	518	--	
		B	IF = 1A	469	471	--	
Luminous Flux	φV	R	IF = 1A	--	95	--	lm
		G	IF = 1A	--	330	--	
		B	IF = 1A	--	95	--	
Recommend Forward Current	IF(rec)	--	--	--	3	--	A

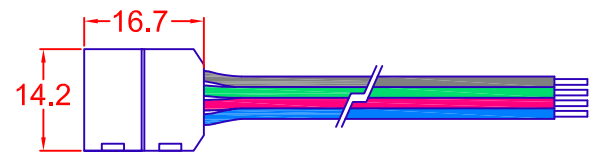


### Absolute Maximum Rating at TA = 25°C

Parameter	Symbol	Absolute Maximum Rating	Unit
Forward Current	IF	3	A
Power Dissipation	PD	36	W
Electrostatic Discharge	ESD	400	V
Operating Temperature	Topr	-25~+60	°C
Storage Temperature	Tstg	-40~+80	°C

### Mating Component

ZCH-145-RGB-I Input Connector Harness



**ATTENTION**  
 OBSERVE PRECAUTION  
 FOR HANDLING ELECTROSTATIC  
 DISCHARGE SENSITIVE DEVICES



JKL PART NO.: ZFS-10504-RGB

G	ADD UL SYMBOL	12/9/13	METRIC	DIMENSIONS ARE IN mm (INCHES)	TOLERANCE UNLESS OTHERWISE SPECIFIED 1 PL +/- REF. 2 PL +/- REF. ANGLE +/-	JKL COMPONENTS CORPORATION				
F	ADD MATING COMPONENT	5/20/13								
E	CHNG. RATING UNIT CURRENT TO A (amps)	1/23/13	THIRD ANGLE PROJECTION	DRAWN BY L. WENGSTROM	DATE 12/9/13	TITLE RGB LED FLEX STRIP				
D	CHNG. WIRE COLOR CALLOUTS LOCATION	9/18/12								
C	CHNG. PART LINE DRAWING & PHOTO	3/27/12	APP'D BY L.R.	DATE 12/9/13	SIZE	FSCM NO.	DRAWING NO.	ZFS-10504-RGB		
B	CHNG. FEATURES/ DRW TO 5 METER REEL	2/16/11			A	55335				
A	CHANGE 2.00±0.05 TO 2.0 REF.	5/28/09	- CAD DRAWING - MANUAL REVISIONS NOT PERMITTED			SCALE	RELEASED DATE	REVISION DATE	REV. NO.	SHEET
	RELEASE & CANCEL PL-0802-06	5/12/09				NONE	5/12/09	12/9/13	G	1 OF 1

# Mouser Electronics

Authorized Distributor

Click to View Pricing, Inventory, Delivery & Lifecycle Information:

[JKL Components:](#)

[ZFS-10504-RGB](#)