

LED Strip from inspired LED

LED Strips are adhesive backed flex circuits with 3528 LEDs evenly spaced on a reel. Cut Lengths from 500mm to 12 meters are available.



Choice of options

Brightness

Super Bright – SB, 30 LEDs per 500mm length
Normal Bright –NB, 15 LEDs per 500mm length

Color

Cool White – 6500K (daylight)
Blue- 0425nm
Red-0625nm
Green-0565nm
Warm White -3200K (soft white)

Cut Length 500mm=Qty 1

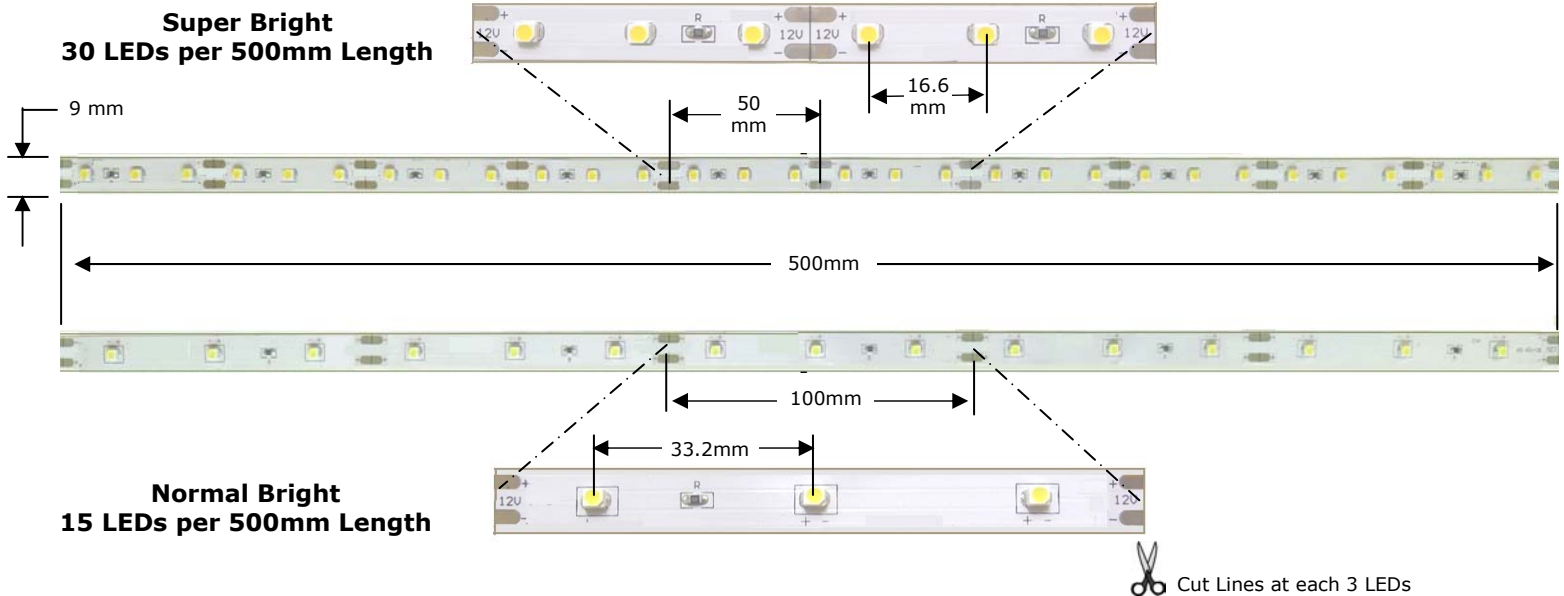
Any Length from 500mm to 12 meters, in 500mm increments. The strip can be cut at every three LEDs, allowing you to make multiple LED strips from one cut length.

How do you buy this product

The product is on a continuous 12 meter reel, the length is determined by the quantity of 500mm sections you need.

Examples;

- A backlight project requires a 12" length of flex, you purchase **1**, you get a 500mm section (19.6") you cut to length and you have some extra for the next project.
- You have a display case that requires two 4 meter strips, you purchase **16**, (16 x 500mm= 8 meters) measure and cut into two four meter strips.
- Your kitchen cabinet lighting project requires two 30" and three 18" strips,(114" or 2895mm), you purchase **6** (6x 500mm=3000mm) cut to the lengths you need.



Part Number

SB = Super Bright
NB = Normal Bright

XX XXXX CT

6500 = Cool White
0425 = Blue
0625 = Red
0565 = Green
3200 = Warm White

500mm
Section of
cut tape

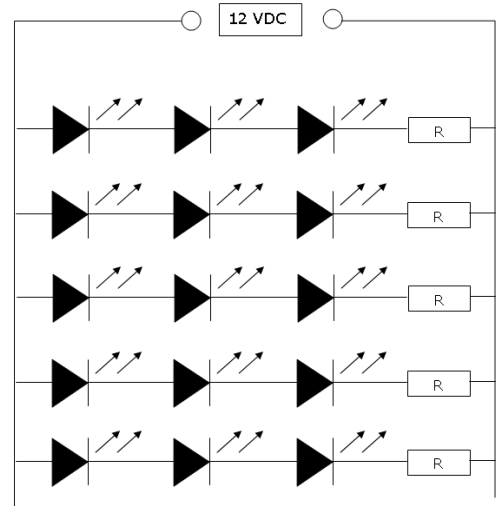
Specifications

Power Requirement – 12VDC per section of 3 LEDs. Each LED rated at .08W, 6.6mA.

Flex Circuit Rating - 4000ma. DO NOT EXCEED 4000ma FOR A CUT LENGTH OF STRIP.

LED – 32.x 2.8mm 120° viewing angle
 Cool White - 4.1 Lumen, 6500 Kelvin
 Blue – 1 Lumen, 425 nm
 Red – 1.2 Lumen, 625 nm
 Green – 1.2 Lumen, 565 nm
 Warm White – 2.5 Lumen , 3200 Kelvin

ASSEMBLY – RoHS Compliant



Super Bright
Maximum Length is 10 meters, 600 LEDs

| Qty of Strips | mm | meters | inchs | # of LEDs | ma |
|---------------|-------|--------|---------|-----------|------|
| 1 | 500 | 0.5 | 19 1/2 | 30 | 200 |
| 2 | 1000 | 1 | 39 1/2 | 60 | 400 |
| 3 | 1500 | 1.5 | 59 | 90 | 600 |
| 4 | 2000 | 2 | 78 1/2 | 120 | 800 |
| 5 | 2500 | 2.5 | 98 1/2 | 150 | 1000 |
| 6 | 3000 | 3 | 118 | 180 | 1200 |
| 7 | 3500 | 3.5 | 138 | 210 | 1400 |
| 8 | 4000 | 4 | 157 1/2 | 240 | 1600 |
| 9 | 4500 | 4.5 | 177 | 270 | 1800 |
| 10 | 5000 | 5 | 197 | 300 | 2000 |
| 11 | 5500 | 5.5 | 216 1/2 | 330 | 2200 |
| 12 | 6000 | 6 | 236 | 360 | 2400 |
| 13 | 6500 | 6.5 | 256 | 390 | 2600 |
| 14 | 7000 | 7 | 275 1/2 | 420 | 2800 |
| 15 | 7500 | 7.5 | 295 1/2 | 450 | 3000 |
| 16 | 8000 | 8 | 315 | 480 | 3200 |
| 17 | 8500 | 8.5 | 334 1/2 | 510 | 3400 |
| 18 | 9000 | 9 | 354 1/2 | 540 | 3600 |
| 19 | 9500 | 9.5 | 374 | 570 | 3800 |
| 20 | 10000 | 10 | 393 1/2 | 600 | 4000 |
| 21 | 10500 | 10.5 | 413 1/2 | 630 | 4200 |
| 22 | 11000 | 11 | 433 | 660 | 4400 |
| 23 | 11500 | 11.5 | 453 | 690 | 4600 |
| 24 | 12000 | 12 | 472 1/2 | 720 | 4800 |

Normal Bright
Maximum Length is 12 meters, 360 LEDs

| Qty of Strips | mm | meters | inchs | # of LEDs | ma |
|---------------|-------|--------|---------|-----------|------|
| 1 | 500 | 0.5 | 19 2/3 | 15 | 100 |
| 2 | 1000 | 1 | 39 3/8 | 30 | 200 |
| 3 | 1500 | 1.5 | 59 | 45 | 300 |
| 4 | 2000 | 2 | 78 3/4 | 60 | 400 |
| 5 | 2500 | 2.5 | 98 3/7 | 75 | 500 |
| 6 | 3000 | 3 | 118 1/9 | 90 | 600 |
| 7 | 3500 | 3.5 | 137 4/5 | 105 | 700 |
| 8 | 4000 | 4 | 157 1/2 | 120 | 800 |
| 9 | 4500 | 4.5 | 177 1/6 | 135 | 900 |
| 10 | 5000 | 5 | 196 6/7 | 150 | 1000 |
| 11 | 5500 | 5.5 | 216 1/2 | 165 | 1100 |
| 12 | 6000 | 6 | 236 2/9 | 180 | 1200 |
| 13 | 6500 | 6.5 | 256 | 195 | 1300 |
| 14 | 7000 | 7 | 275 3/5 | 210 | 1400 |
| 15 | 7500 | 7.5 | 295 2/7 | 225 | 1500 |
| 16 | 8000 | 8 | 315 | 240 | 1600 |
| 17 | 8500 | 8.5 | 334 2/3 | 255 | 1700 |
| 18 | 9000 | 9 | 354 1/3 | 270 | 1800 |
| 19 | 9500 | 9.5 | 374 | 285 | 1900 |
| 20 | 10000 | 10 | 393 5/7 | 300 | 2000 |
| 21 | 10500 | 10.5 | 413 2/5 | 315 | 2100 |
| 22 | 11000 | 11 | 433 | 330 | 2200 |
| 23 | 11500 | 11.5 | 452 3/4 | 345 | 2300 |
| 24 | 12000 | 12 | 472 4/9 | 360 | 2400 |

Flex Circuit Rating - 4000ma. DO NOT EXCEED 4000ma FOR A CUT LENGTH OF STRIP

User Note – Voltage drop will reduce the amount of light of LEDs furthest from the power source. For lengths over 5 meters powering from the center of the strip will produce a more consistent light over the length.

Mouser Electronics

Authorized Distributor

Click to View Pricing, Inventory, Delivery & Lifecycle Information:

Inspired LED:

| | | | | | |
|--|--|--|--|--|--|
| <u>NB-6500-0300-1C</u> | <u>NB-6500-0300-2C</u> | <u>NB-6500-0400-1C</u> | <u>NB-6500-0400-2C</u> | <u>NB-6500-0500-1C</u> | <u>NB-6500-0500-2C</u> |
| <u>NB-6500-0600-1C</u> | <u>NB-6500-0600-2C</u> | <u>NB-6500-0700-1C</u> | <u>NB-6500-0700-2C</u> | <u>NB-6500-0800-1C</u> | <u>NB-6500-0800-2C</u> |
| <u>NB-6500-0900-1C</u> | <u>NB-6500-0900-2C</u> | <u>NB-6500-1000-1C</u> | <u>NB-6500-1000-2C</u> | <u>NB-6500-1100-1C</u> | <u>NB-6500-1100-2C</u> |
| <u>NB-6500-1200-1C</u> | <u>NB-6500-1200-2C</u> | <u>NB-6500-1300-1C</u> | <u>NB-6500-1300-2C</u> | <u>NB-6500-1400-1C</u> | <u>NB-6500-1400-2C</u> |
| <u>NB-6500-1500-1C</u> | <u>NB-6500-1500-2C</u> | <u>NB-6500-1600-1C</u> | <u>NB-6500-1600-2C</u> | <u>NB-6500-1700-1C</u> | <u>NB-6500-1700-2C</u> |
| <u>NB-6500-1800-1C</u> | <u>NB-6500-1800-2C</u> | <u>NB-6500-1900-1C</u> | <u>NB-6500-1900-2C</u> | <u>NB-6500-2000-1C</u> | <u>NB-6500-2000-2C</u> |
| <u>NB-6500-2100-1C</u> | <u>NB-6500-2100-2C</u> | <u>NB-6500-2200-1C</u> | <u>NB-6500-2200-2C</u> | <u>NB-6500-2300-1C</u> | <u>NB-6500-2300-2C</u> |
| <u>NB-6500-2400-1C</u> | <u>NB-6500-2400-2C</u> | <u>NB-6500-2500-1C</u> | <u>NB-6500-2500-2C</u> | <u>NB-6500-2600-1C</u> | <u>NB-6500-2600-2C</u> |
| <u>NB-6500-2700-1C</u> | <u>NB-6500-2700-2C</u> | <u>NB-6500-2800-1C</u> | <u>NB-6500-2800-2C</u> | <u>NB-6500-2900-1C</u> | <u>NB-6500-2900-2C</u> |
| <u>NB-6500-3000-1C</u> | <u>NB-6500-3000-2C</u> | <u>NB-6500-3100-1C</u> | <u>NB-6500-3100-2C</u> | <u>NB-6500-3200-1C</u> | <u>NB-6500-3200-2C</u> |
| <u>NB-6500-3300-1C</u> | <u>NB-6500-3300-2C</u> | <u>NB-6500-3400-1C</u> | <u>NB-6500-3400-2C</u> | <u>NB-6500-3500-1C</u> | <u>NB-6500-3500-2C</u> |
| <u>NB-6500-3600-1C</u> | <u>NB-6500-3600-2C</u> | <u>NB-6500-3700-1C</u> | <u>NB-6500-3700-2C</u> | <u>NB-6500-3800-1C</u> | <u>NB-6500-3800-2C</u> |
| <u>NB-6500-3900-1C</u> | <u>NB-6500-3900-2C</u> | <u>NB-6500-4000-1C</u> | <u>NB-6500-4000-2C</u> | <u>NB-6500-4100-1C</u> | <u>NB-6500-4100-2C</u> |
| <u>NB-6500-4200-1C</u> | <u>NB-6500-4200-2C</u> | <u>NB-6500-4300-1C</u> | <u>NB-6500-4300-2C</u> | <u>NB-6500-4400-1C</u> | <u>NB-6500-4400-2C</u> |
| <u>NB-6500-4500-1C</u> | <u>NB-6500-4500-2C</u> | <u>NB-6500-4600-1C</u> | <u>NB-6500-4600-2C</u> | <u>NB-6500-4700-1C</u> | <u>NB-6500-4700-2C</u> |
| <u>NB-6500-4800-1C</u> | <u>NB-6500-4800-2C</u> | <u>NB-6500-4900-1C</u> | <u>NB-6500-4900-2C</u> | <u>NB-6500-5000-1C</u> | <u>NB-6500-5000-2C</u> |
| <u>NB-6500-5100-1C</u> | <u>NB-6500-5100-2C</u> | <u>NB-6500-5200-1C</u> | <u>NB-6500-5200-2C</u> | | |