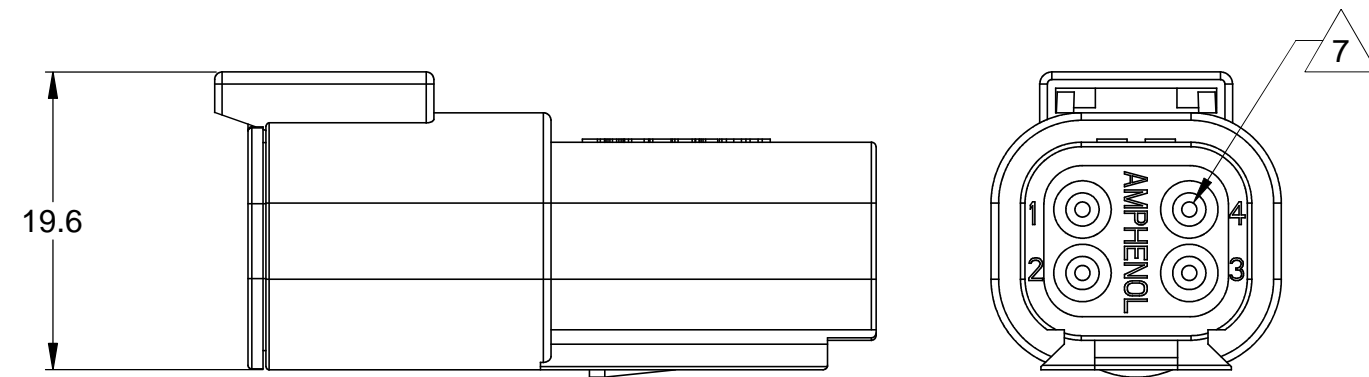
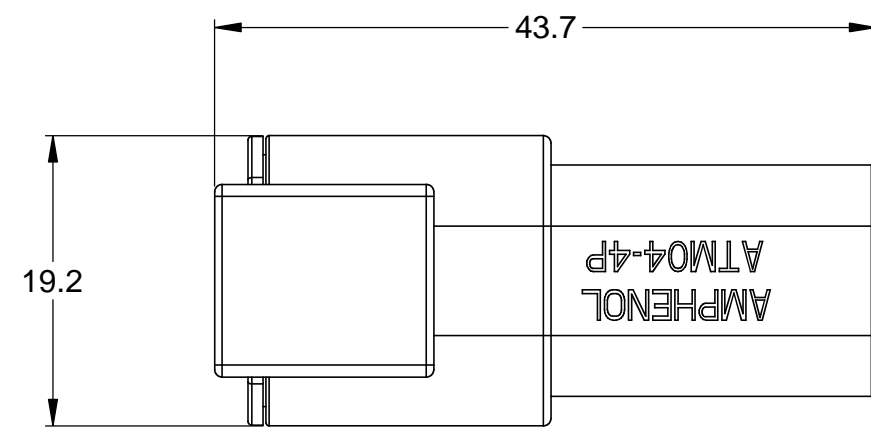
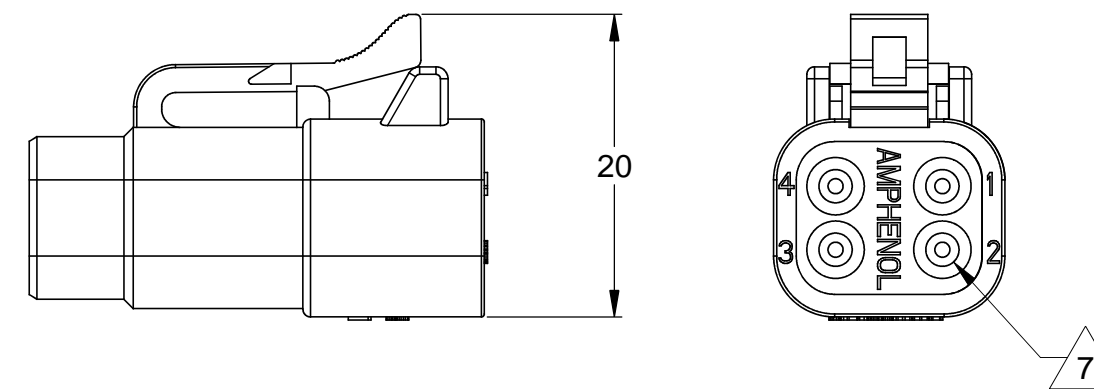
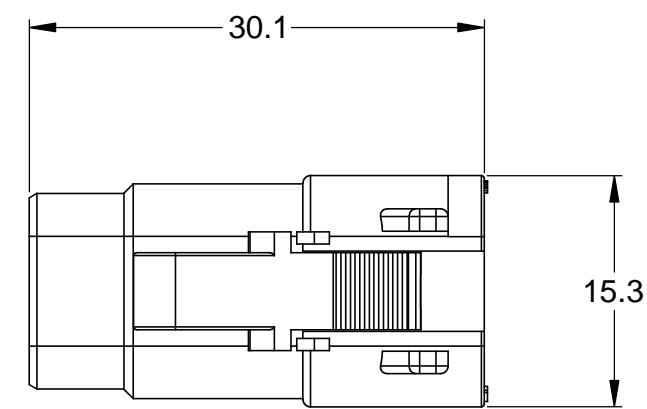


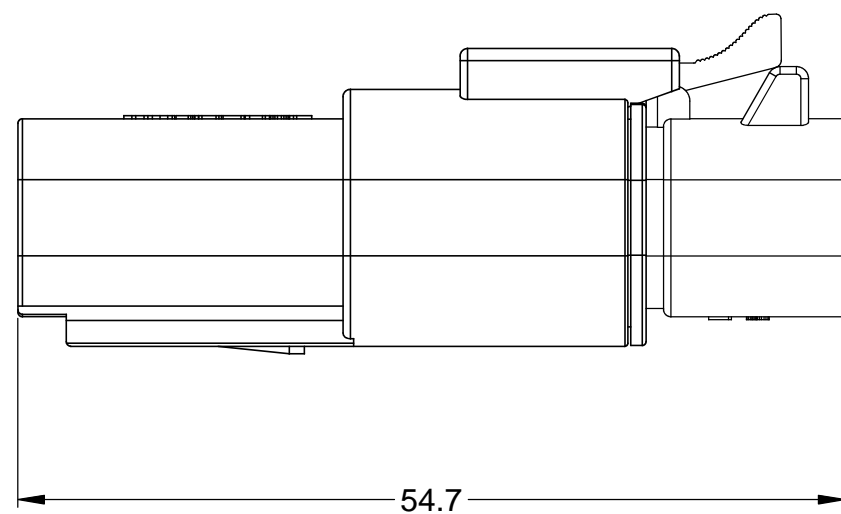
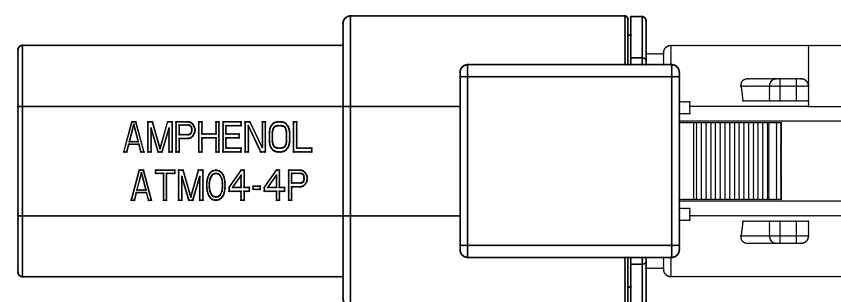
| REVISIONS | | | | | |
|-----------|-----|-------------|-----------|-----|------|
| REV | ECO | DESCRIPTION | DATE | BY | APPR |
| A | - | RELEASE | 03/OCT/13 | DRP | - |



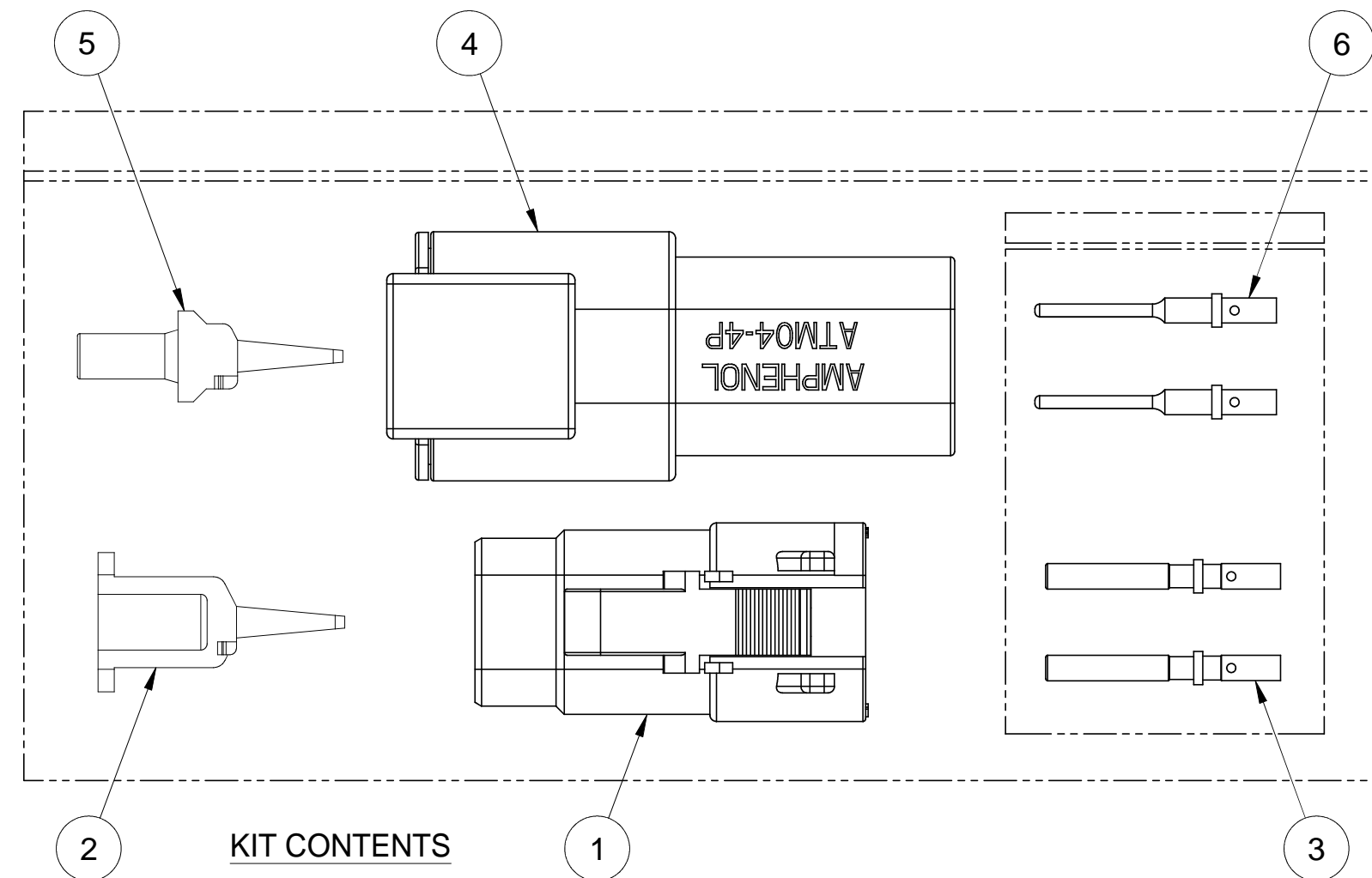
REFERENCE DIMENSIONS - ASSEMBLED RECEPTACLE



REFERENCE DIMENSIONS - ASSEMBLED PLUG



ASSEMBLED PLUG AND RECEPTACLE



KIT CONTENTS

NOTES: UNLESS OTHERWISE SPECIFIED

- MATERIAL:
HOUSING: THERMOPLASTIC; COLOR: GREY
WEDGELOCK: THERMOPLASTIC; COLOR: ORANGE
SEALS: SILICONE RUBBER
CONTACTS: COPPER ALLOY; NICKEL PLATED
- SPECIFICATIONS:
2.1 CURRENT RATING: 7.5 AMPS
2.2 OPERATING TEMPERATURE: -55°C TO +125°C
2.3 DIELECTRIC WITHSTANDING VOLTAGE: LESS THAN 2 MILLIAMPS CURRENT LEAKAGE @ 1500 VOLTS AC.
2.4 INSULATION RESISTANCE: 1000 MEGOHMS MIN @ 25°C.
2.5 CONTACT MILLIVOLT DROP: 60 MILLIVOLT DROP @ 7.5 AMP TEST CURRENT.
2.6 MOISTURE RESISTANCE: IP67 (MATED CONDITION)
2.7 CONNECTOR MATING CYCLE DURABILITY: 100 CYCLES

- AVAILABLE HAND CRIMPER: CA-5D12
- ALL COMPONENTS ARE RoHS COMPLIANT.
- ALL DIMENSIONS ARE FOR REFERENCE USE ONLY.

- WIRE RANGE OF CONTACTS INCLUDED IN KIT: 20 - 22 AWG
- CONTACT SIZE AND REAR SEAL WIRE RANGE:

| CONTACT SIZE | MIN. INSUL. O.D. | MAX. INSUL. O.D. | TYPICAL WIRE RANGE |
|--------------|-------------------|-------------------|--------------------|
| 20 | 1.35 mm (.053 in) | 3.05 mm (.120 in) | 16 - 22 AWG |

| | | | | |
|---|----------|----------------|--|------|
| 6 | 4 | AT60-202-20141 | CONTACT, PIN, SOLID, SIZE 20, 20 - 22 AWG | 6 |
| | 1 | AWM-4P | P-WEDGELOCK, 4 POSITION, ATM SERIES | 5 |
| | 1 | ATM04-4P | RECEPTACLE, 4 POSITION, ATM SERIES | 4 |
| 6 | 4 | AT62-201-20141 | CONTACT, SOCKET, SOLID, SIZE 20, 20-22 AWG | 3 |
| | 1 | AWM-4S | S-WEDGELOCK, 4 POSITION, ATM SERIES | 2 |
| | 1 | ATM06-4S | PLUG, 4 POSITION, ATM SERIES | 1 |
| | QUANTITY | PART NUMBER | DESCRIPTION | ITEM |

| UNLESS OTHERWISE SPECIFIED | | SIGNATURES | DATE |
|--|--|--|-----------|
| 1) All dimensions are in metric(mm). 2) Tolerances are as follows: 1 PL DEC ±0.30 Fractions ±1/64 2 PL DEC ±0.15 Angles ±1° 3 PL DEC ±0.08 | | D. PARKS | 03/OCT/13 |
| 3) Note reference = | | CHECKED: | ENGINEER: |
| MATERIAL SPECIFICATIONS: | | APPROVAL: | CUSTOMER: |
| PROCESS SPECIFICATIONS: | | THIS DRAWING IS SUPPLIED FOR INFORMATION ONLY. DESIGN FEATURES, SPECIFICATIONS AND PERFORMANCE DATA SHOWN HEREON ARE THE PROPERTY OF THE AMPHENOL CORPORATION. NO RIGHTS OF REPRODUCTION ARE IMPLIED. ALL DIMENSIONS ARE SUBJECT TO NORMAL MANUFACTURING VARIATIONS. | |
| NEXT ASSY: | | SIZE | TYPE |
| | | C | C- |
| | | SCALE | NONE |

Amphenol

Sine Systems - www.amphenol-sine.com
44724 Morley Drive
Clinton Township, MI 48036

KIT, ATM SERIES, 4 POSITION PLUG, RECEPTACLE, CONTACTS, AND WEDGELOCKS

DWG NO: **ATM4PS-CKIT** REVISION: **A**

SHEET 1 OF 1

TITLE: KIT, ATM SERIES, 4 POS, PLUG, RECEPTACLE, CONTACTS & WEDGELOCKS DWG NO: ATM4PS-CKIT REV: A SH: 1 OF: 1

Mouser Electronics

Authorized Distributor

Click to View Pricing, Inventory, Delivery & Lifecycle Information:

[Amphenol:](#)

[ATM4PS-CKIT](#)