

**LOW VOLTAGE P.C. BOARD MOUNT LOW PROFILE
162/164 SERIES**

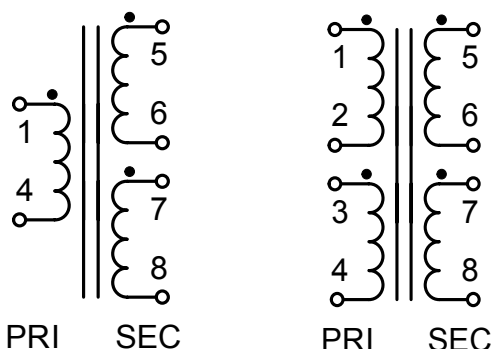
Key Features:

- Both series operate on 50/60 Hz current.
- Low profile, split bobbin design.
- Dual winding secondaries, non-concentrically wound.
- Units are designed so that all windings must be used.
- Low primary to secondary coupling - no electro static shield required.
- One year warranty.
- High insulation - Hipot of 2,500V RMS.
- Class B insulation - 130 degrees C.
- No mounting hardware required on 1.1 and 2.4 VA sizes. Two hole mounting on 6, 12 and 20V sizes. Four hole mounting on 36VA size (mounting screws not provided).
- P.C. board mount with industry standard pin spacing.
- c UL us recognized.
- For more information on this series, go to:
<http://www.hammondmfg.com/162.htm>



Single Primary - 164 Series

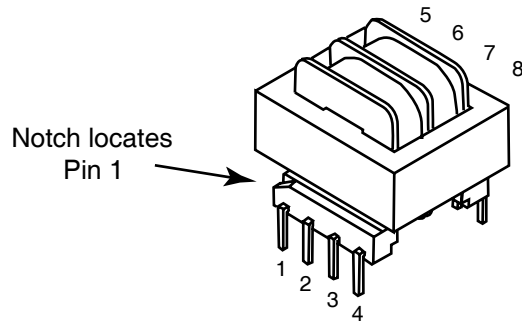
Dual Primary - 162 Series



| Part No. Single Pri. 115V | Part No. Dual Pri. 115/230V | Size VA | Secondary (RMS) | |
|---------------------------------|-----------------------------------|------------|--------------------|-------------|
| | | | Series | Parallel |
| 164D10 | 162D10 | 1.1 | 10V C.T. @ .11A | 5V @ .22A |
| 164E10 | 162E10 | 2.4 | 10V C.T. @ .25A | 5V @ .5A |
| 164F10 | 162F10 | 6 | 10V C.T. @ .6A | 5V @ 1.2A |
| 164G10 | 162G10 | 12 | 10V C.T. @ 1.2A | 5V @ 2.4A |
| 164H10 | 162H10 | 20 | 10V C.T. @ 2A | 5V @ 4A |
| 164J10 | 162J10 | 36 | 10V C.T. @ 3.6A | 5V @ 7.2A |
| 164D12 | 162D12 | 1.1 | 12.6V C.T. @ .09A | 6.3V @ .18A |
| 164E12 | 162E12 | 2.4 | 12.6V C.T. @ .2A | 6.3V @ .4A |
| 164F12 | 162F12 | 6 | 12.6V C.T. @ .5A | 6.3V @ 1A |
| 164G12 | 162G12 | 12 | 12.6V C.T. @ 1A | 6.3V @ 2A |
| 164H12 | 162H12 | 20 | 12.6V C.T. @ 1.6A | 6.3V @ 3.2A |
| 164J12 | 162J12 | 36 | 12.6V C.T. @ 2.85A | 6.3V @ 5.7A |
| 164D16 | 162D16 | 1.1 | 16V C.T. @ .07A | 8V @ .14A |
| 164E16 | 162E16 | 2.4 | 16V C.T. @ .15A | 8V @ .3A |
| 164F16 | 162F16 | 6 | 16V C.T. @ .4A | 8V @ .8A |
| 164G16 | 162G16 | 12 | 16V C.T. @ .8A | 8V @ 1.6A |
| 164H16 | 162H16 | 20 | 16V C.T. @ 1.25A | 8V @ 2.5A |
| 164J16 | 162J16 | 36 | 16V C.T. @ 2.25A | 8V @ 4.5A |
| 164D20 | 162D20 | 1.1 | 20V C.T. @ .055A | 10V @ .11A |
| 164E20 | 162E20 | 2.4 | 20V C.T. @ .12A | 10V @ .24A |
| 164F20 | 162F20 | 6 | 20V C.T. @ .3A | 10V @ .6A |
| 164G20 | 162G20 | 12 | 20V C.T. @ .6A | 10V @ 1.2A |
| 164H20 | 162H20 | 20 | 20V C.T. @ 1A | 10V @ 2A |
| 164J20 | 162J20 | 36 | 20V C.T. @ 1.8A | 10V @ 3.6A |
| 164D24 | 162D24 | 1.1 | 24V C.T. @ .045A | 12V @ .09A |
| 164E24 | 162E24 | 2.4 | 24V C.T. @ .1A | 12V @ .2A |
| 164F24 | 162F24 | 6 | 24V C.T. @ .25A | 12V @ .5A |
| 164G24 | 162G24 | 12 | 24V C.T. @ .5A | 12V @ 1A |
| 164H24 | 162H24 | 20 | 24V C.T. @ .8A | 12V @ 1.6A |
| 164J24 | 162J24 | 36 | 24V C.T. @ 1.5A | 12V @ 3A |
| 164D28 | 162D28 | 1.1 | 28V C.T. @ .04A | 14V @ .08A |
| 164E28 | 162E28 | 2.4 | 28V C.T. @ .085A | 14V @ .17A |
| 164F28 | 162F28 | 6 | 28V C.T. @ .2A | 14V @ .4A |
| 164G28 | 162G28 | 12 | 28V C.T. @ .42A | 14V @ .84A |
| 164H28 | 162H28 | 20 | 28V C.T. @ .7A | 14V @ 1.4A |
| 164J28 | 162J28 | 36 | 28V C.T. @ 1.3A | 14V @ 2.6A |
| 164D36 | 162D36 | 1.1 | 36V C.T. @ .03A | 18V @ .06A |
| 164E36 | 162E36 | 2.4 | 36V C.T. @ .065A | 18V @ .13A |
| 164F36 | 162F36 | 6 | 36V C.T. @ .17A | 18V @ .34A |
| 164G36 | 162G36 | 12 | 36V C.T. @ .35A | 18V @ .7A |
| 164H36 | 162H36 | 20 | 36V C.T. @ .55A | 18V @ 1.1A |
| 164J36 | 162J36 | 36 | 36V C.T. @ 1A | 18V @ 2A |
| 164D48 | 162D48 | 1.1 | 48V C.T. @ .023A | 24V @ .046A |
| 164E48 | 162E48 | 2.4 | 48V C.T. @ .05A | 24V @ .1A |
| 164F48 | 162F48 | 6 | 48V C.T. @ .125A | 24V @ .25A |
| 164G48 | 162G48 | 12 | 48V C.T. @ .25A | 24V @ .5A |
| 164H48 | 162H48 | 20 | 48V C.T. @ .4A | 24V @ .8A |
| 164J48 | 162J48 | 36 | 48V C.T. @ .75A | 24V @ 1.5A |
| 164D56 | 162D56 | 1.1 | 56V C.T. @ .02A | 28V @ .04A |
| 164E56 | 162E56 | 2.4 | 56V C.T. @ .045A | 28V @ .09A |
| 164F56 | 162F56 | 6 | 56V C.T. @ .11A | 28V @ .22A |
| 164G56 | 162G56 | 12 | 56V C.T. @ .22A | 28V @ .44A |
| 164H56 | 162H56 | 20 | 56V C.T. @ .35A | 28V @ .7A |
| 164J56 | 162J56 | 36 | 56V C.T. @ .65A | 28V @ 1.3A |
| 164D120 | 162D120 | 1.1 | 120V C.T. @ .01A | 60V @ .02A |
| 164E120 | 162E120 | 2.4 | 120V C.T. @ .02A | 60V @ .04A |
| 164F120 | 162F120 | 6 | 120V C.T. @ .05A | 60V @ .1A |
| 164G120 | 162G120 | 12 | 120V C.T. @ .1A | 60V @ .2A |
| 164H120 | 162H120 | 20 | 120V C.T. @ .16A | 60V @ .32A |
| 164J120 | 162J120 | 36 | 120V C.T. @ .3A | 60V @ .6A |

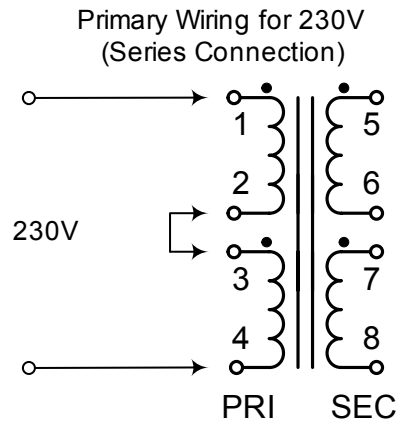
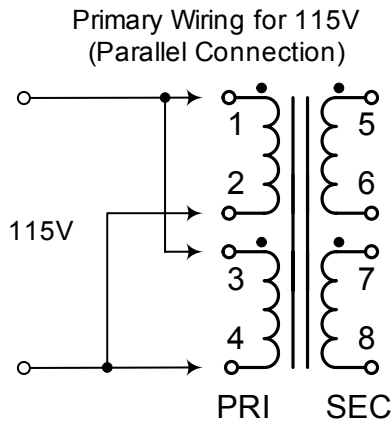
www.hammondmfg.com

Connection Information 162 / 164 Series Transformers

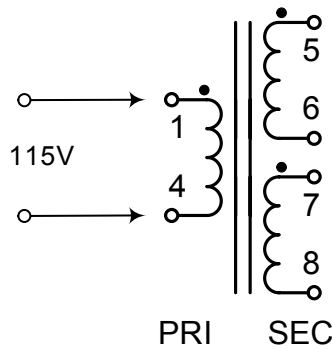


Pins 2 & 3 are omitted on the 164 series (single primary)

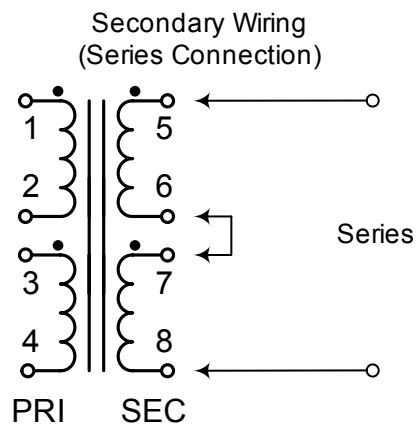
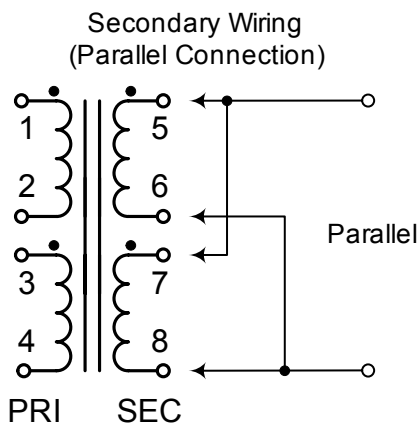
Primary Connections - 162 Series Transformers



Primary Connections - 164 Series Transformers



Secondary Connections - both 162 & 164 Series Transformers



Mouser Electronics

Authorized Distributor

Click to View Pricing, Inventory, Delivery & Lifecycle Information:

Hammond:

[164G56](#) [164G10](#) [162J56](#) [162D56](#) [162D36](#) [162G120](#) [164F12](#) [164F10](#) [164F16](#) [164F56](#) [164F36](#) [164D24](#)
[164D36](#) [164D20](#) [164D28](#) [164D12](#) [164D16](#) [164D10](#) [164D48](#) [162J20](#) [162J28](#) [162J24](#) [162J48](#) [164J120](#) [162F56](#)
[162J120](#) [164G120](#) [164J36](#) [164J48](#) [164J24](#) [164J28](#) [164J20](#) [162D16](#) [162D12](#) [162D10](#) [164H24](#) [164H28](#) [164H20](#)
[164H10](#) [164H36](#) [164H16](#) [164H12](#) [164H48](#) [162H16](#) [162H10](#) [162H56](#) [162H12](#) [164J12](#) [164J16](#) [164J56](#) [164J10](#)
[164D56](#) [162F28](#) [162F48](#) [162F20](#) [162F24](#) [162H120](#) [164D120](#) [162F120](#) [162G36](#) [162G56](#) [162G10](#) [162G12](#)
[162G16](#) [162F36](#) [162F10](#) [162F12](#) [162F16](#) [162D120](#) [164H56](#) [162D48](#) [162D20](#) [162D28](#) [162D24](#) [164G48](#) [164G24](#)
[164F120](#) [164G20](#) [164G28](#) [164F28](#) [164F20](#) [164F24](#) [164F48](#) [162G20](#) [162G28](#) [162G48](#) [162G24](#) [162J36](#)
[162J10](#) [162J16](#) [162J12](#) [162H24](#) [162H48](#) [162H28](#) [162H36](#) [162H20](#) [164H120](#) [164G12](#) [164G36](#) [164G16](#)