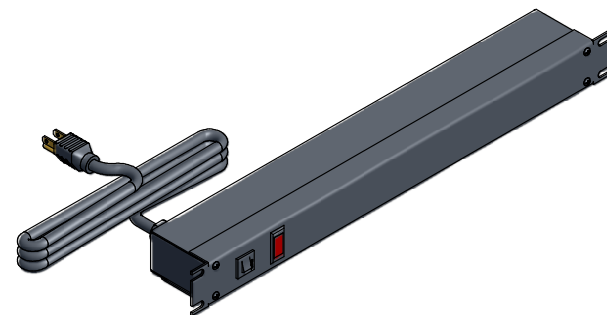
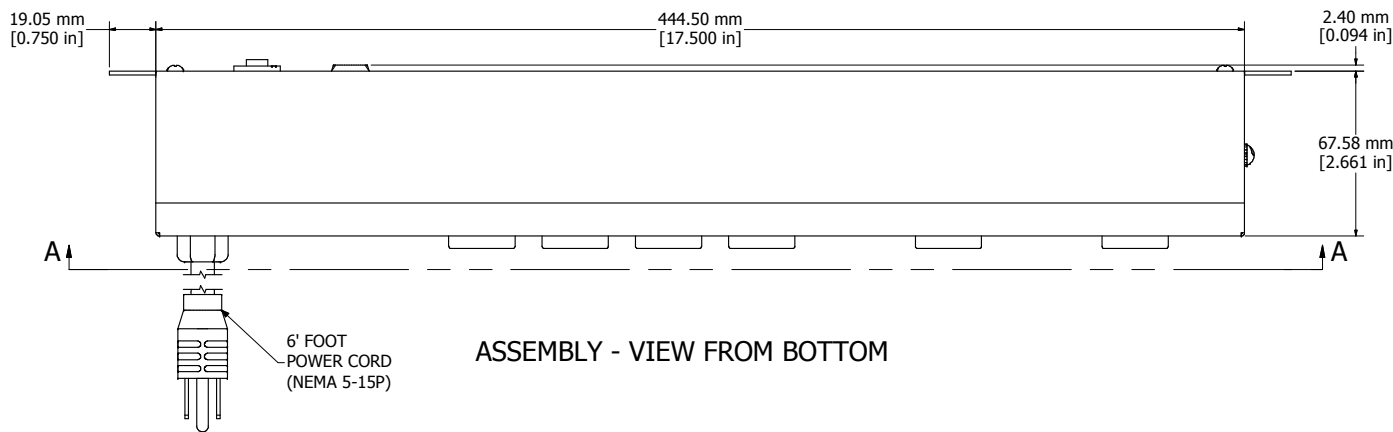


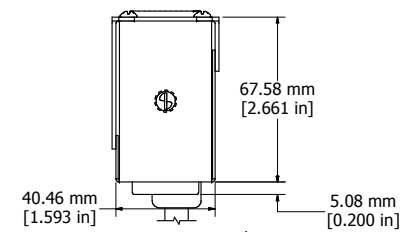
ASSEMBLY - VIEW FROM FRONT



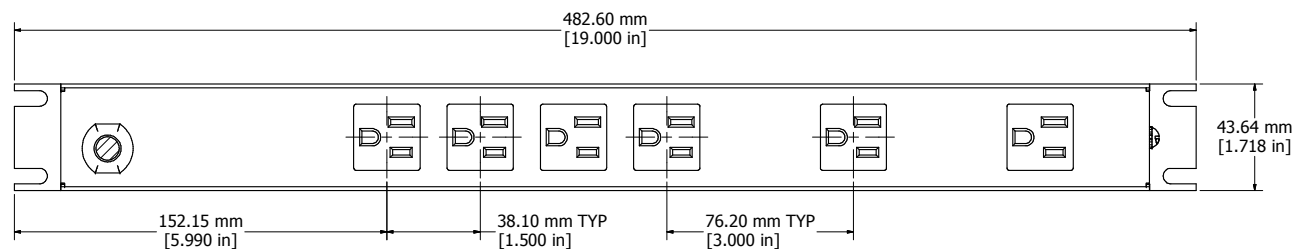
ISOMETRIC VIEW



ASSEMBLY - VIEW FROM BOTTOM



ASSEMBLY - VIEW FROM SIDE



SECTION A-A

1583T6A1BK	
Finish - Front	- Black Painted Steel
Back	- Black Painted Steel
Rated	- 125 VAC, 60 Hz, 15 Amps
Approvals	- CSA Certified Standards C22.2 (No. 21-95, 42-99) - UL Recognized Standard UL1363
Colours & Cord Length	
1583T6A1BK	- Black w/ 6' Foot Power Cord (NEMA 5-15P)
1583T6A1-	- ASA 61 Grey w/ 6' Foot Power Cord (NEMA 5-15P)
1583T6B1BK	- Black w/ 15' Foot Power Cord (NEMA 5-15P)
1583T6B1-	- ASA 61 Grey w/ 15' Foot Power Cord (NEMA 5-15P)



Mouser Electronics

Authorized Distributor

Click to View Pricing, Inventory, Delivery & Lifecycle Information:

[Hammond:](#)

[1583T6A1](#) [1583T6B1](#) [1583T6B1BK](#) [1583T6A1BK](#)