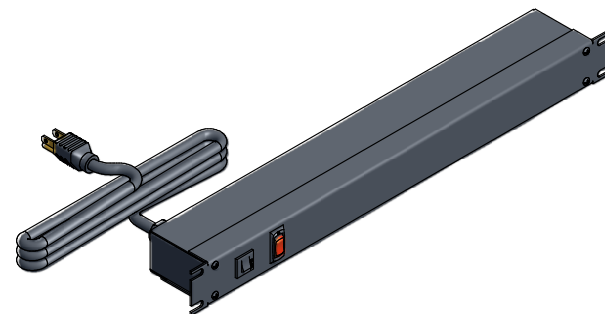
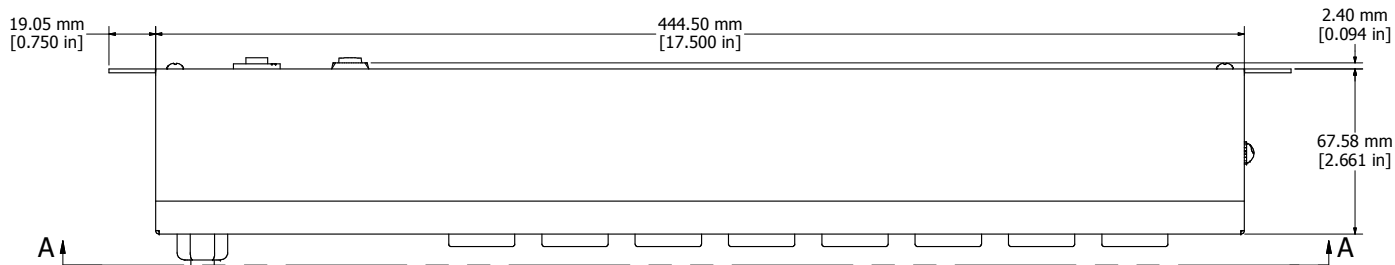


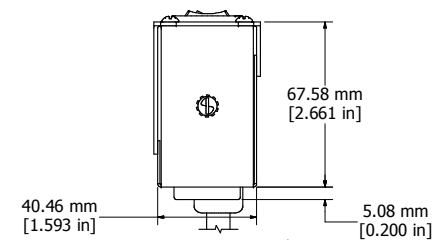
ASSEMBLY - VIEW FROM FRONT



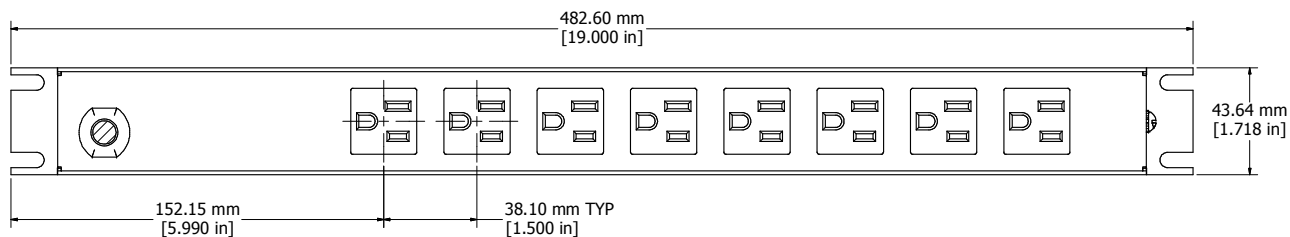
ISOMETRIC VIEW



ASSEMBLY - VIEW FROM BOTTOM



ASSEMBLY - VIEW FROM SIDE



SECTION A-A

1583H8A1BK	
Finish - Front - Black Painted Steel	
Back - Black Painted Steel	
Rated - 125 VAC, 60 Hz, 15 Amps	
Approvals - CSA Certified Standards C22.2 (No. 21-95, 42-99)	
- UL Recognized Standard UL1363	
Colours & Cord Length	
1583H8A1BK - Black w/ 6' Foot Power Cord (NEMA 5-15P)	
1583H8A1- ASA 61 Grey w/ 6' Foot Power Cord (NEMA 5-15P)	
1583H8B1BK - Black w/ 15' Foot Power Cord (NEMA 5-15P)	
1583H8B1- ASA 61 Grey w/ 15' Foot Power Cord (NEMA 5-15P)	



# Mouser Electronics

Authorized Distributor

Click to View Pricing, Inventory, Delivery & Lifecycle Information:

[Hammond:](#)

[1583H8A1](#) [1583H8B1BK](#) [1583H8B1](#)