

233-100-H7 Jam nut mount hermetic receptacle

MIL-DTL-38999 Series III type

How To Order Commercial						
Sample Part Number	233-100			-H7	Z1	11-35 P N
Series / Basic Part No.	Series 23 SuperNine® Hermetic Receptacle					
Connector Style	H7 = Jam Nut Mount					
Finish*	Z1 = CRES, Passivated ZL = CRES, Nickel Finish					
Shell Size-Insert Arrangement*	Per MIL-STD-1560					
Contact Type	P = Pin, Solder Cup X = Pin, Eyelet C = Pin, PCB		S = Socket, Solder Cup Z = Socket, Eyelet D = Socket, PCB			
Alternate Key Position*	A, B, C, D, E, N = Normal					

***Refer to Section A for complete details**
Modification codes may be added directly to the end of any valid part number

D

Dimensions									
Shell Size Code	Shell Size	A Thread -0.1P-0.03L-TS	B Dia	C A/F ±.015 (0.4)	D Flat ±.005 (0.1)	E Dia ±.012 (0.3)	F Dia	G Thread Iso Metric	H ±.032 (0.8)
A	9/09	0.625	1.200(30.5) 1.178(29.9)	1.063(27.0)	.650(16.5)	.603(15.3)	.653(16.6) .642(16.3)	M17 X 1.0-6g	.094(2.4)
B	11	0.750	1.385(35.2) 1.363(34.6)	1.252(31.8)	.750(19.1)	.725(18.4)	.775(19.7) .764(19.4)	M20 X 1.0-6g	.094(2.4)
C	13	0.875	1.511(38.4) 1.489(37.8)	1.374(34.9)	.937(23.8)	.851(21.6)	.905(23.0) .894(22.7)	M25 X 1.0-6g	.094(2.4)
D	15	1.000	1.637(41.6) 1.615(41.0)	1.500(38.1)	1.061(26.9)	.977(24.8)	1.031(26.2) 1.020(25.9)	M28 X 1.0-6g	.094(2.4)
E	17	1.187	1.763(44.8) 1.741(44.2)	1.626(41.3)	1.186(30.1)	1.103(28.0)	1.153(29.3) 1.142(29.0)	M32 X 1.0-6g	.094(2.4)
F	19	1.250	1.948(49.5) 1.926(48.9)	1.811(46.0)	1.311(33.3)	1.229(31.2)	1.278(32.5) 1.268(32.2)	M35 X 1.0-6g	.094(2.4)
G	21	1.375	2.074(52.7) 2.051(52.1)	1.937(49.2)	1.436(36.5)	1.351(34.3)	1.405(35.7) 1.394(35.4)	M38 X 1.0-6g	.094(2.4)
H	23	1.500	2.200(55.9) 2.177(55.3)	2.063(52.4)	1.561(39.6)	1.477(37.5)	1.531(38.9) 1.520(38.6)	M41 X 1.0-6g	.094(2.4)
J	25	1.625	2.322(59.0) 2.300(58.4)	2.189(55.6)	1.686(42.8)	1.603(40.7)	1.653(42.0) 1.642(41.7)	M44 X 1.0-6g	.094(2.4)

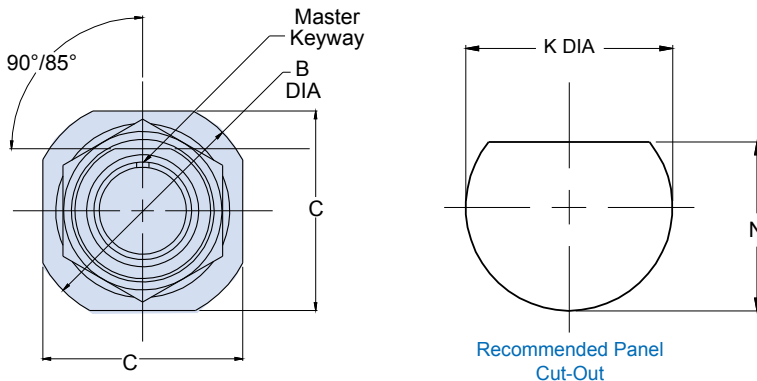
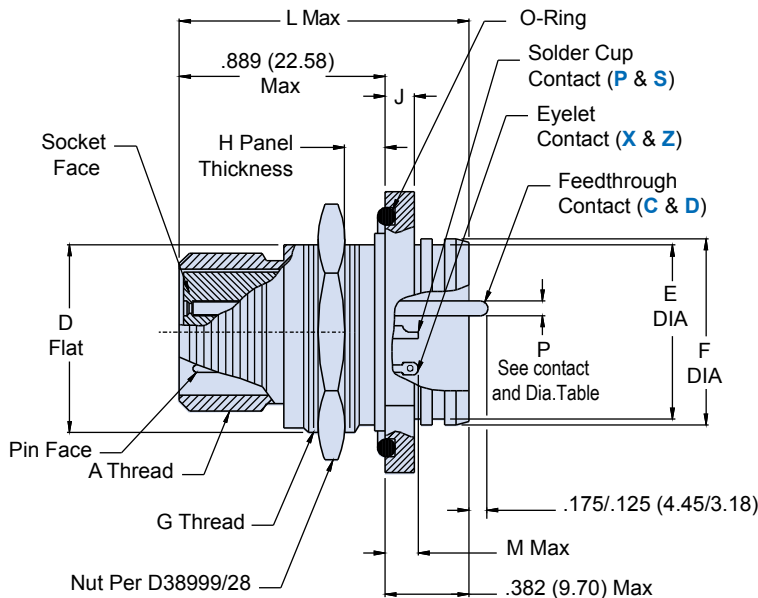
Dimensions (Continued)					
J ±.008(0.2)	K Dia ±.005 (0.1)	L Max	M Max		N ±.005 (0.1)
			P&X	S&Z	
.106(2.7)	.693 (17.60)	1.149(29.2)	.208(5.3)	.232(5.9)	.657 (16.70)
.106(2.7)	.825 (20.96)	1.149(29.2)	.208(5.3)	.232(5.9)	.771 (19.59)
.106(2.7)	1.010 (25.65)	1.153(29.3)	.200(5.1)	.224(5.7)	.955 (24.26)
.106(2.7)	1.135 (28.83)	1.153(29.3)	.200(5.1)	.224(5.7)	1.085 (27.56)
.106(2.7)	1.260 (32.01)	1.153(29.3)	.200(5.1)	.224(5.7)	1.210 (30.73)
.138(3.5)	1.385 (35.18)	1.185(30.1)	.200(5.1)	.224(5.7)	1.335 (33.91)
.138(3.5)	1.510 (38.35)	1.185(30.1)	.200(5.1)	.224(5.7)	1.460 (37.08)
.138(3.5)	1.635 (41.53)	1.185(30.1)	.200(5.1)	.224(5.7)	1.585 (40.26)
.138(3.5)	1.760 (44.70)	1.185(30.1)	.200(5.1)	.224(5.7)	1.710 (43.43)

Mates With	
Plug Part Number	Description
233-105SG6	SuperNine® plug with single integrated band porch
233-105BG6	SuperNine® plug with integrated band porch and boot groove
233-105DG6	SuperNine® plug with double integrated band porch
233-105-G6	SuperNine® plug with accessory attachment threads



How To Order: MS						
Sample Part Number	D38999	/23	Y	11-35	P	N
Series / Basic Part No.	MIL-DTL-D38999 Series III Type					
Connector Style	/23 = Jam Nut Mount					
Finish*	Y = CRES, Passivated N = CRES, Nickel Finish					
Shell Size - Insert Arrangement*	Per MIL-STD-1560					
Contact Type	P = Pin, Solder Cup X = Pin, Eyelet C = Pin, PCB Flex Feedthru		S = Socket, Solder Cup Z = Socket, Eyelet D = Socket, PCB Flex Feedthru			
Alternate Key Position*	A, B, C, D, E, N = Normal					

*Refer to Section A for complete details
Modification codes may be added directly to the end of any valid part number



Contact Size & Dia.	
PRINTED CIRCUIT TAIL CONFIGURATIONS CONTACT STYLE C AND D	
Contact Size	ø P
22D	.011 (0.28) .015 (0.38)
20	.024 (0.61) .028 (0.71)
16	.0635 (1.61) .0615 (1.56)
12	.095 (2.41) .093 (2.36)

Wire Accommodation	
Contact Size	Wire Gauge
22D	#22 - #28
20	#20 - #24
16	#16 - #20
12	#12 - #14

Hermetic Leak Rate Mod Codes	
Designator	Required Leak Rate
-585A	1 x 10 ⁻¹⁰ cc Helium per second
-585B	1 x 10 ⁻⁹ cc Helium per second
-585C	1 x 10 ⁻⁸ cc Helium per second

Mouser Electronics

Authorized Distributor

Click to View Pricing, Inventory, Delivery & Lifecycle Information:

Glenair:

[233-100-H7Z109-35CN](#) [233-100-H7Z109-35PA](#) [233-100-H7Z109-35PN](#) [233-100-H7Z109-98PA](#) [233-100-H7Z109-98PB](#) [233-100-H7Z109-98PN](#) [233-100-H7Z111-02PN](#) [233-100-H7Z111-04PN](#) [233-100-H7Z111-05PA](#) [233-100-H7Z111-05PN](#) [233-100-H7Z111-35CC](#) [233-100-H7Z111-35CN](#) [233-100-H7Z111-35DB](#) [233-100-H7Z111-35PA](#) [233-100-H7Z111-35PB](#) [233-100-H7Z111-35PC](#) [233-100-H7Z111-35PN](#) [233-100-H7Z111-35SN](#) [233-100-H7Z111-98CN](#) [233-100-H7Z111-98PN](#) [233-100-H7Z111-99PN](#) [233-100-H7Z113-04PA](#) [233-100-H7Z113-04PB](#) [233-100-H7Z113-04PC](#) [233-100-H7Z113-04PD](#) [233-100-H7Z113-04PN](#) [233-100-H7Z113-04SN](#) [233-100-H7Z113-08PN](#) [233-100-H7Z113-35PA](#) [233-100-H7Z113-35PB](#) [233-100-H7Z113-35PC](#) [233-100-H7Z113-35PN](#) [233-100-H7Z113-35SA](#) [233-100-H7Z113-35SB](#) [233-100-H7Z113-98PB](#) [233-100-H7Z113-98PN](#) [233-100-H7Z115-05PN](#) [233-100-H7Z115-05XN](#) [233-100-H7Z115-15PN](#) [233-100-H7Z115-18PN](#) [233-100-H7Z115-19PN](#) [233-100-H7Z115-35CN](#) [233-100-H7Z115-35PA](#) [233-100-H7Z115-35PB](#) [233-100-H7Z115-35PC](#) [233-100-H7Z115-35PD](#) [233-100-H7Z115-35PN](#) [233-100-H7Z115-35SN](#) [233-100-H7Z115-97CN](#) [233-100-H7Z115-97PA](#) [233-100-H7Z115-97PN](#) [233-100-H7Z117-06PA](#) [233-100-H7Z117-06PC](#) [233-100-H7Z117-06PN](#) [233-100-H7Z117-08PN](#) [233-100-H7Z117-26PN](#) [233-100-H7Z117-35CN](#) [233-100-H7Z117-35DB](#) [233-100-H7Z117-35PA](#) [233-100-H7Z117-35PN](#) [233-100-H7Z117-35SN](#) [233-100-H7Z117-99PA](#) [233-100-H7Z119-11PA](#) [233-100-H7Z119-11PN](#) [233-100-H7Z119-32PA](#) [233-100-H7Z119-32PB](#) [233-100-H7Z119-32PD](#) [233-100-H7Z119-32PN](#) [233-100-H7Z119-35CA](#) [233-100-H7Z119-35CN](#) [233-100-H7Z119-35PA](#) [233-100-H7Z119-35PN](#) [233-100-H7Z121-11CN](#) [233-100-H7Z121-11PN](#) [233-100-H7Z121-16CN](#) [233-100-H7Z121-16PN](#) [233-100-H7Z121-35CA](#) [233-100-H7Z121-35CN](#) [233-100-H7Z121-35PA](#) [233-100-H7Z121-35PN](#) [233-100-H7Z121-39PN](#) [233-100-H7Z121-41PA](#) [233-100-H7Z121-41PB](#) [233-100-H7Z121-41PC](#) [233-100-H7Z121-41PD](#) [233-100-H7Z121-41PE](#) [233-100-H7Z121-41PN](#) [233-100-H7Z123-21CB](#) [233-100-H7Z123-21PN](#) [233-100-H7Z123-35CA](#) [233-100-H7Z123-35CN](#) [233-100-H7Z123-35PA](#) [233-100-H7Z123-35PN](#) [233-100-H7Z123-53PN](#) [233-100-H7Z123-55PN](#) [233-100-H7Z125-04PN](#) [233-100-H7Z125-19PN](#) [233-100-H7Z125-19SN](#) [233-100-H7Z125-24CN](#) [233-100-H7Z125-24PN](#)