

# 233-100-H2 Box mount hermetic receptacle MIL-DTL-38999 Series III type

How To Order: Commercial						
Sample Part Number	233-100			-H2	Z1	11-35 P N
Series / Basic Part No.	Series 23 SuperNine® Hermetic Receptacle					
Connector Style	H2 = Box Mount					
Finish	Z1 = CRES, Passivated ZL = CRES, Nickel Finish					
Shell Size-Insert Arrangement*	Per MIL-STD-1560					
Contact Type	P = Pin, Solder Cup X = Pin, Eyelet C = Pin, PCB Flex Feedthru		S = Socket, Solder Cup Z = Socket, Eyelet D = Socket, PCB Flex Feedthru			
Alternate Key Position*	A, B, C, D, E, N = Normal					

\*Refer to Section A for complete details

Modification codes may be added directly to the end of any valid part number

D

Connector Dimensions							
Shell Size Code	Shell Size	A Thread	B Sq ±.012(0.3)	C Bsc	D Bsc	E ±.008(0.2)	F ±.008(0.2)
A	9/09	.6250-.1P-.3L-TS-2A	.937(23.8)	.719(18.3)	.594(15.1)	.128(3.3)	.216(5.5)
B	11	.7500-.1P-.3L-TS-2A	1.031(26.2)	.812(20.6)	.719(18.3)	.128(3.3)	.194(4.9)
C	13	.8750-.1P-.3L-TS-2A	1.126(28.6)	.906(23.0)	.812(20.6)	.128(3.3)	.194(4.9)
D	15	1.0000-.1P-.3L-TS-2A	1.220(31.0)	.969(24.6)	.906(23.0)	.128(3.3)	.194(4.9)
E	17	1.1875-.1P-.3L-TS-2A	1.311(33.3)	1.062(27.0)	.969(24.6)	.128(3.3)	.194(4.9)
F	19	1.2500-.1P-.3L-TS-2A	1.437(36.5)	1.156(29.4)	1.062(27.0)	.128(3.3)	.194(4.9)
G	21	1.3750-.1P-.3L-TS-2A	1.563(39.7)	1.250(31.8)	1.156(29.4)	.128(3.3)	.194(4.9)
H	23	1.5000-.1P-.3L-TS-2A	1.689(42.9)	1.375(34.9)	1.250(31.8)	.154(3.9)	.242(6.1)
J	25	1.6250-.1P-.3L-TS-2A	1.811(46.0)	1.500(38.1)	1.375(34.9)	.154(3.9)	.242(6.1)

Connector Dimensions (Continued)					
Shell Size Code	Shell Size	Ø G Holes ±.005(0.1)	Ø H Min	Ø J Min	K ±.005(0.1)
A	9/09	.128(3.3)	.656(16.7)	.516(13.1)	.719(18.3)
B	11	.128(3.3)	.781(19.8)	.625(15.9)	.812(20.6)
C	13	.128(3.3)	.921(23.4)	.750(19.1)	.906(23.0)
D	15	.128(3.3)	1.047(26.6)	.906(23.0)	.968(24.6)
E	17	.128(3.3)	1.218(30.9)	1.016(25.8)	1.062(27.0)
F	19	.128(3.3)	1.296(32.9)	1.142(35.9)	1.156(29.4)
G	21	.128(3.3)	1.421(36.1)	1.266(32.2)	1.250(31.8)
H	23	.154(3.9)	1.546(39.3)	1.375(34.9)	1.375(34.9)
J	25	.154(3.9)	1.672(42.5)	1.484(37.7)	1.500(38.1)

Contact Size & Diameter	
PRINTED CIRCUIT TAIL CONFIGURATIONS CONTACT STYLE C AND D	
Contact Size	Ø P
22D	.011 (0.28) .015 (0.38)
20	.024 (0.61) .028 (0.71)
16	.0635 (1.61) .0615 (1.56)
12	.095 (2.41) .093 (2.36)

Hermetic Leak Rate Mod Codes	
Designator	Required Leak Rate
-585A	1 x 10 <sup>-10</sup> cc Helium per second
-585B	1 x 10 <sup>-9</sup> cc Helium per second
-585C	1 x 10 <sup>-8</sup> cc Helium per second

Wire Accommodation	
Contact Size	Wire Gauge
22D	#22 - #28
20	#20 - #24
16	#16 - #20
12	#12 - #14

# SuperNine® Hermetic connectors

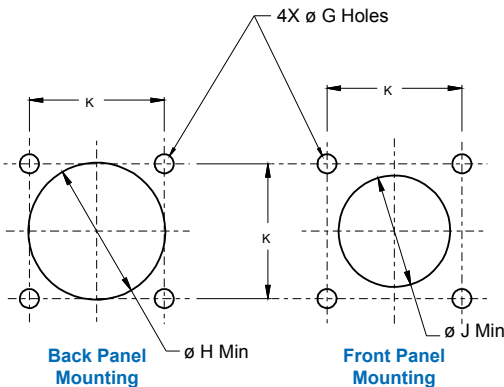
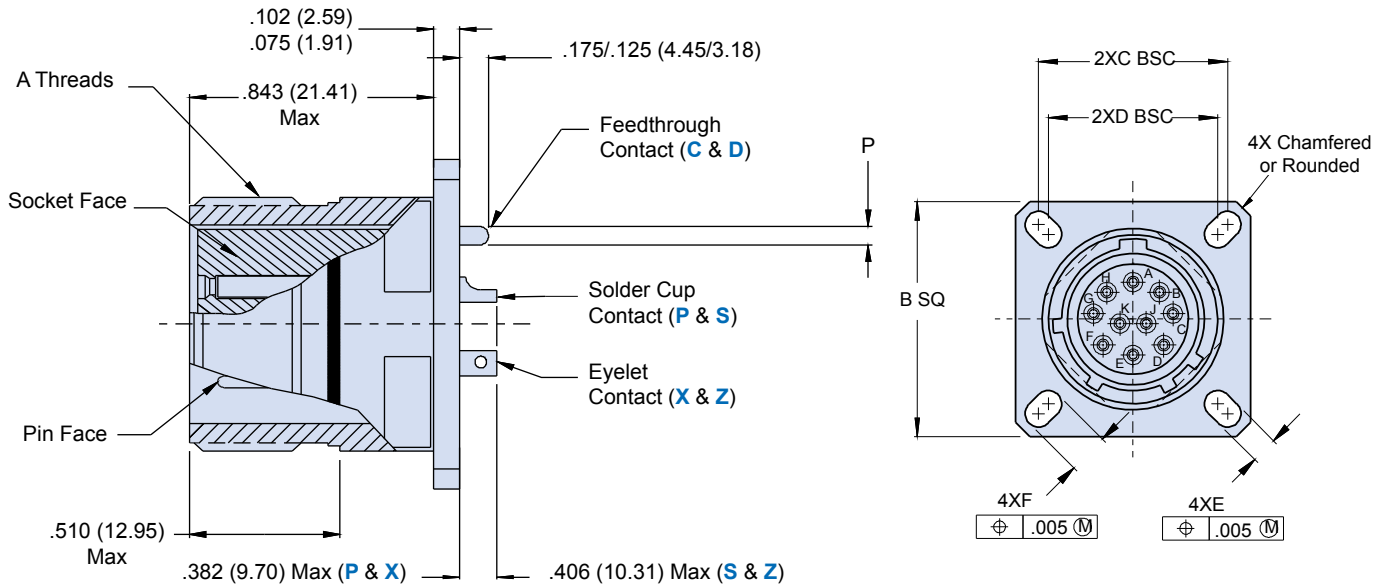
## D38999/21 Box mount hermetic receptacle

### MIL-DTL-38999 Series III QPL



How To Order: MS						
Sample Part Number	D38999	/21	Y	B-35	P	N
Series / Basic Part No.	MIL-DTL-D38999 Series III Type					
Connector Style	/21 = Box Mount					
Finish	Y = CRES, Passivated N = CRES, Nickel Finish					
Shell Size - Insert Arrangement*	Per MIL-STD-1560					
Contact Type	P = Pin, Solder Cup		S = Socket, Solder Cup			
	X = Pin, Eyelet		Z = Socket, Eyelet			
	C = Pin, PCB Flex Feedthru		D = Socket, PCB Flex Feedthru			
Alternate Key Position*	A, B, C, D, E, N = Normal					

**\*Refer to Section A for complete details**  
Modification codes may be added directly to the end of any valid part number



Mates With	
Plug Part Number	Description
233-105SG6	SuperNine® plug with single integrated band porch
233-105BG6	SuperNine® plug with integrated band porch and boot groove
233-105DG6	SuperNine® plug with double integrated band porch
233-105-G6	SuperNine® plug with accessory attachment threads



# Mouser Electronics

Authorized Distributor

Click to View Pricing, Inventory, Delivery & Lifecycle Information:

## Glenair:

[D38999/21YA98PN](#) [D38999/21NA35PA](#) [D38999/21NA35PB](#) [D38999/21NA35PC](#) [D38999/21NB35PA](#)  
[D38999/21NC35PB](#) [D38999/21YA35PN](#) [D38999/21YA35XN](#) [D38999/21YB35PA](#) [D38999/21YB35PB](#)  
[D38999/21YB35PN](#) [D38999/21YB5CN](#) [D38999/21YB5PN](#) [D38999/21YB98PN](#) [D38999/21YB98XA](#)  
[D38999/21YB98XB](#) [D38999/21YB99PN](#) [D38999/21YC35PA](#) [D38999/21YC35PB](#) [D38999/21YC35PC](#)  
[D38999/21YC35PE](#) [D38999/21YC35PN](#) [D38999/21YC4PN](#) [D38999/21YC8PN](#) [D38999/21YC98PA](#)  
[D38999/21YC98PN](#) [D38999/21YD18PN](#) [D38999/21YD19PA](#) [D38999/21YD19PN](#) [D38999/21YD35PN](#)  
[D38999/21YD5PN](#) [D38999/21YD97PA](#) [D38999/21YD97PN](#) [D38999/21YE35PA](#) [D38999/21YE35PN](#)  
[D38999/21YE6PA](#) [D38999/21YE8PN](#) [D38999/21YE99PN](#) [D38999/21YF35PA](#) [D38999/21YG11PN](#)  
[D38999/21YG35SN](#) [D38999/21YG41PA](#) [D38999/21YG41PN](#) [D38999/21YG41SN](#) [D38999/21YH21PN](#)  
[D38999/21YH53PN](#) [D38999/21YH55SN](#) [D38999/21YJ19PN](#) [D38999/21YJ4PN](#) [D38999/21YC4SN](#) [D38999/21NE8PN](#)  
[D38999/21NB98PN](#) [D38999/21ND97PN](#) [D38999/21YE26PB](#) [D38999/21YE6PN](#) [D38999/21NA35PN](#)  
[D38999/21NA98CC](#) [D38999/21NA98PN](#) [D38999/21NB2PN](#) [D38999/21NB35PB](#) [D38999/21NB35PC](#)  
[D38999/21NB35PN](#) [D38999/21NB4XN](#) [D38999/21NB5PA](#) [D38999/21NB5PN](#) [D38999/21NB99PB](#)  
[D38999/21NB99PC](#) [D38999/21NB99PN](#) [D38999/21NC35PA](#) [D38999/21NC35PN](#) [D38999/21NC4PN](#)  
[D38999/21NC8CB](#) [D38999/21NC8PN](#) [D38999/21NC98PN](#) [D38999/21NC98SA](#) [D38999/21ND18PN](#)  
[D38999/21ND19PN](#) [D38999/21ND35PA](#) [D38999/21ND35PN](#) [D38999/21ND5PN](#) [D38999/21NE26PB](#)  
[D38999/21NE26PN](#) [D38999/21NE35PN](#) [D38999/21NE6PN](#) [D38999/21NF32PN](#) [D38999/21NF35CA](#)  
[D38999/21NF35CB](#) [D38999/21NF35CC](#) [D38999/21NF35PA](#) [D38999/21NF35PN](#) [D38999/21NG11PN](#)  
[D38999/21NG16PN](#) [D38999/21NG35CN](#) [D38999/21NG35PN](#) [D38999/21NH35PN](#) [D38999/21NH55PA](#)  
[D38999/21NH55PN](#) [D38999/21NJ19PA](#) [D38999/21NJ19PB](#) [D38999/21NJ29PN](#)