

RECEPTACLES

Features:

- DIN Rail, Panel Mount or Wall Mount
- Rating: 16A/250V AC
- Finger Protection: IP20
- Available in 3 colors.

PANEL MOUNT



WALL MOUNT

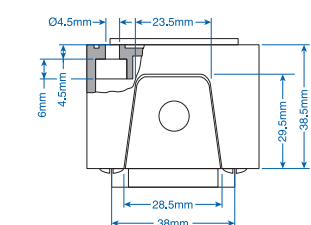
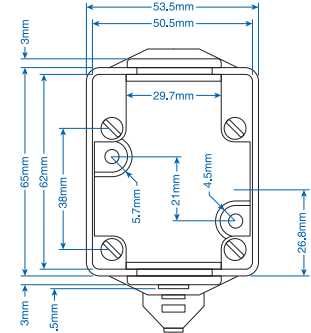
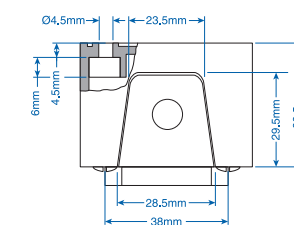
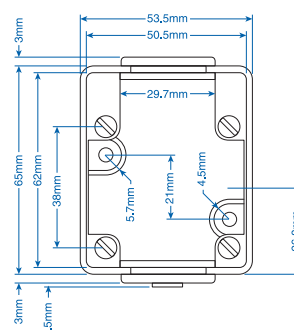
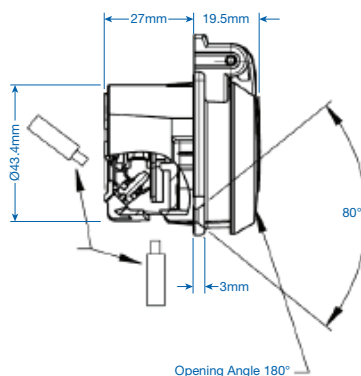
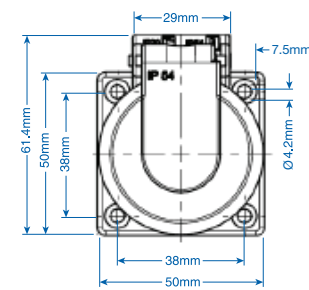


DIN RAIL MOUNT



External Dimension (HxWxL mm)	46.5 x 61.4 x 50	50 x 71 x 53.5	58.5 x 84 x 53.5
Stripping Length	10 mm	10 mm	10 mm
Insulation Material	Thermoplastic	Thermoplastic	Thermoplastic
Type of Connection	3 screw clamps	3 screw clamps	3 screw clamps
Standard	DIN 49440	DIN 49440	DIN 49440
Voltage Rating	250 V	250 V	250 V
Current Rating	16 A	16 A	16 A

	Cat. No.	Std. Pk.	Cat. No.	Std. Pk.	Cat. No.	Std. Pk.
Complete Kit:						
Blue	PMRBU-GE	1	WMRBU-GE Black Box*	1	DMRBU-GE Black Box*	1
Gray	PMRGR-GE	1	WMRGR-GE Black Box*	1	DMRGR-GE Black Box*	1
Black	PMRBA-GE	1	WMRBA-GE Black Box	1	DMRBA-GE Black Box	1
Optional Accessory Sealing Gasket for Panel Mount Receptacles	SEALGASK	1	Includes Sealing Gasket		Includes Sealing Gasket	



* Please Note:

Matching colored blue and gray assembly enclosures have been discontinued.

The hinged protective covers are still available in blue, gray, and black.

Mouser Electronics

Authorized Distributor

Click to View Pricing, Inventory, Delivery & Lifecycle Information:

[Altech:](#)

[PMRGR-O](#)