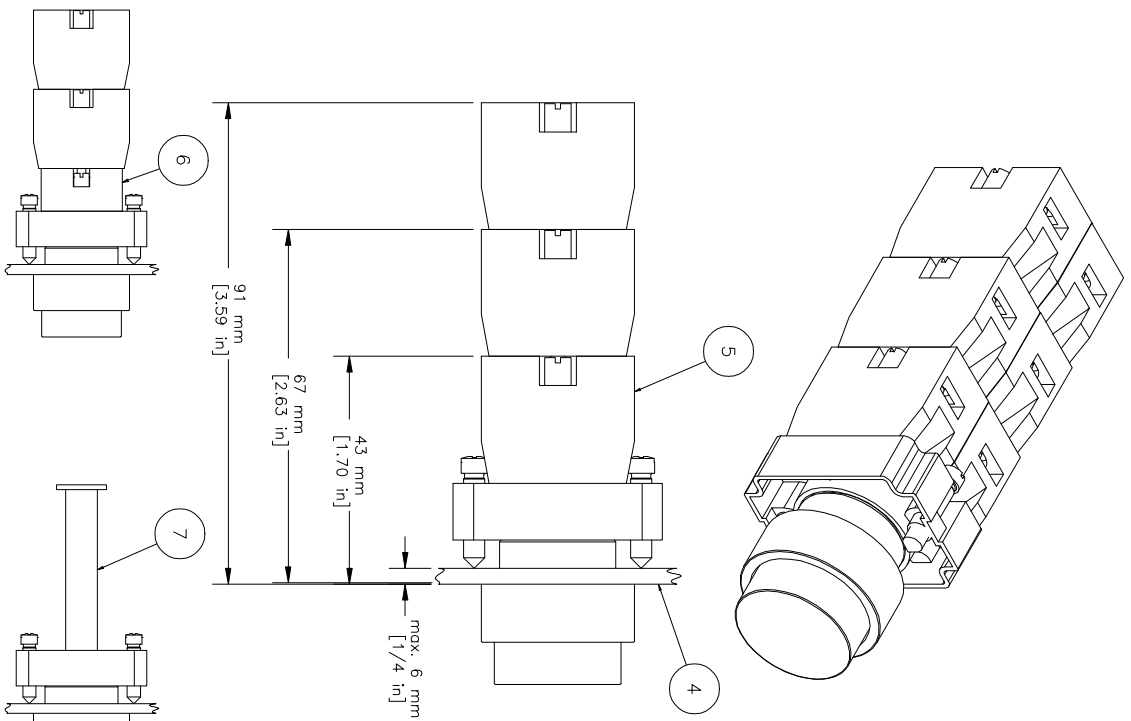
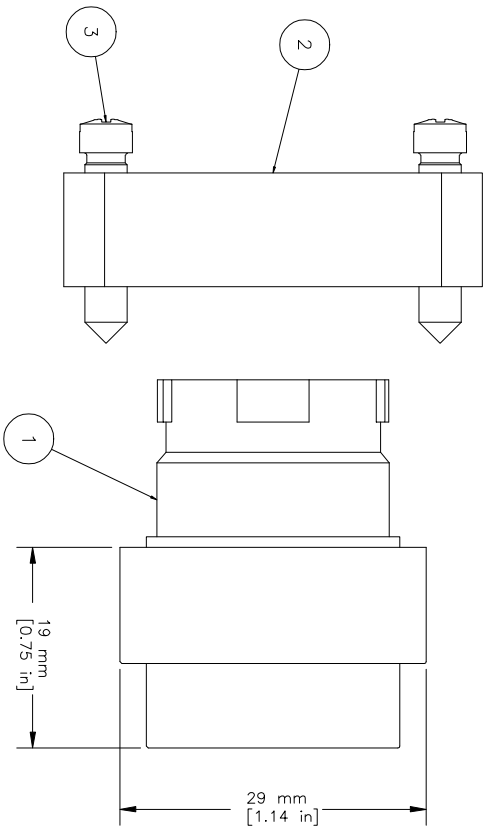


REV. CH. NO.	DESCRIPTION	DATE	REVISED BY
-	ORIGINAL DESIGN	09/14/07	Phil E.

REVISIONS FOR DWG # 1PB-2APX



Shown with
Push-Push mechanism

Shown with
Remote attachment

ITEM	DESCRIPTION	CAT. NO.	COLOR	MIN. QTY.	MAX. QTY.
1	Projecting Operator (comes with mounting bracket 2BRK)	2AP1	White	1	1
		2AP2	Black	1	1
		2AP3	Green	1	1
		2AP4	Red	1	1
		2AP6	Blue	1	1
		2AP8	Yellow	1	1
		2BRK	-	1	1
		2	Mounting Bracket	2BRK	-
3	Mounting Bracket Screws	Incl. in 2BRK	-	2	2
4	Panel	-	-	-	-
5	Switch Contacts	S1	Green	1	6
		S2	Red	1	6
		S3	Green/Gray	1	6
		S4	Red/Gray	1	6
6	Maintained Action Block	2PPM	Black	1	1
7	Remote Attachment	Add Suffix "RR"	-	1	1

UNLESS OTHERWISE SPECIFIED
ALL DIMENSIONS ARE IN MILLIMETERS

THIRD ANGLE PROJECTION

TOLERANCE

XX	±1 mm
XX X	±0.5 mm
XX.XX	±0.2 mm
ALL	- mm

MUR-C

This Drawing is the property of

Attech Corp.

35 Royal Road
Flemington NJ 08822-6000
(908) 806-9400 • Fax (908) 806-9490

AND IS A CONFIDENTIAL DISCLOSURE
LENT WITHOUT CONSIDERATION OTHER
THAN THE BORROWER'S AGREEMENT
THAT IT SHALL NOT BE REPRODUCED,
COPIED, LENT, OR DISPOSED OF
DIRECTLY OR INDIRECTLY NOR USED
FOR ANY PURPOSE OTHER THAN THAT
FOR WHICH IT IS SPECIFICALLY
FURNISHED.

TITLE: 22 mm Non-Illuminated Projecting Metal

Operator ZAPX (x=color)

DRAWN BY:	09/14/07	DRAWING NO.:	REV.:
Philipp Ernstberger		1PB-2APX	-
CHECKED BY:	09/14/07	SCALE:	SHEET: 1 OF: 1
Laszlo Gyorgypal			
RELEASED BY:	09/14/07		
Laszlo Gyorgypal			

Mouser Electronics

Authorized Distributor

Click to View Pricing, Inventory, Delivery & Lifecycle Information:

[Altech:](#)

[2AP4](#) [2AP2](#) [2AP6](#) [2AP8](#) [2AP1](#)