

Models 6869-180, 6869-300
XLR Plug / Jack (3-pin) Cable 15 feet, 25 feet



Model 6869-180*, -300*: XLR Plug/Jack Cable 15 feet, 25 feet

*Length of cable only.

Connect your audio applications

Features

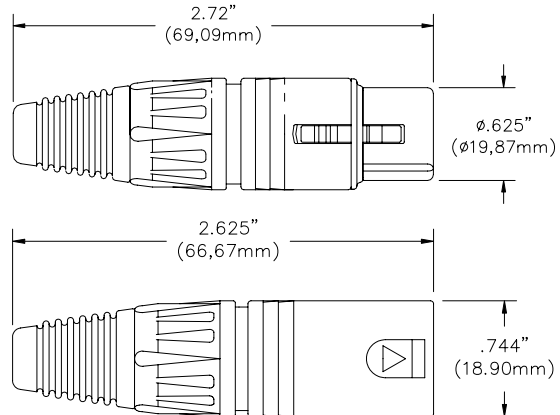
- Audio cable includes 3-pin male and female connectors.
- Black streamlined profile with compact shell. Rugged construction.
- Flexible and soft low-noise cable.

Materials

- XLR connector bodies are die-cast zinc alloy with tarnish resistant black-nickel finish.
- Strain relief clamp designed for durability: POM (Polyoxymethylene).
- Contacts are gold-plated brass.
- Cable is made of soft PVC low-noise microphone cable.

Ordering Information

Model: 6869-180, 6869-300



Specifications

Cable Type	Soft PVC low noise microphone cable.
Cable Lengths	6869-180: 180 in (15 ft or 4.572 meters) 6869-300: 300 in (25 ft or 7.62 meters)
Cable O.D.	6.0 mm (0.24 in)

USA: Sales: 800-490-2361 Technical Support: 800-241-2060 Fax: 888-403-3360

Europe: 31-(0) 40 2675 150 **International:** 425-446-5500

e-mail: technicalsupport@pomonatest.com

Where to Buy: www.pomonaelectronics.com

All dimensions are in inches. Tolerances (except noted): .xx = ±.02" (.51 mm), .xxx = ±.005" (.127 mm). All specifications are to the latest revisions. Specifications are subject to change without notice. Registered trademarks are the property of their respective companies.

Mouser Electronics

Authorized Distributor

Click to View Pricing, Inventory, Delivery & Lifecycle Information:

Pomona:

6869-300 6869-180