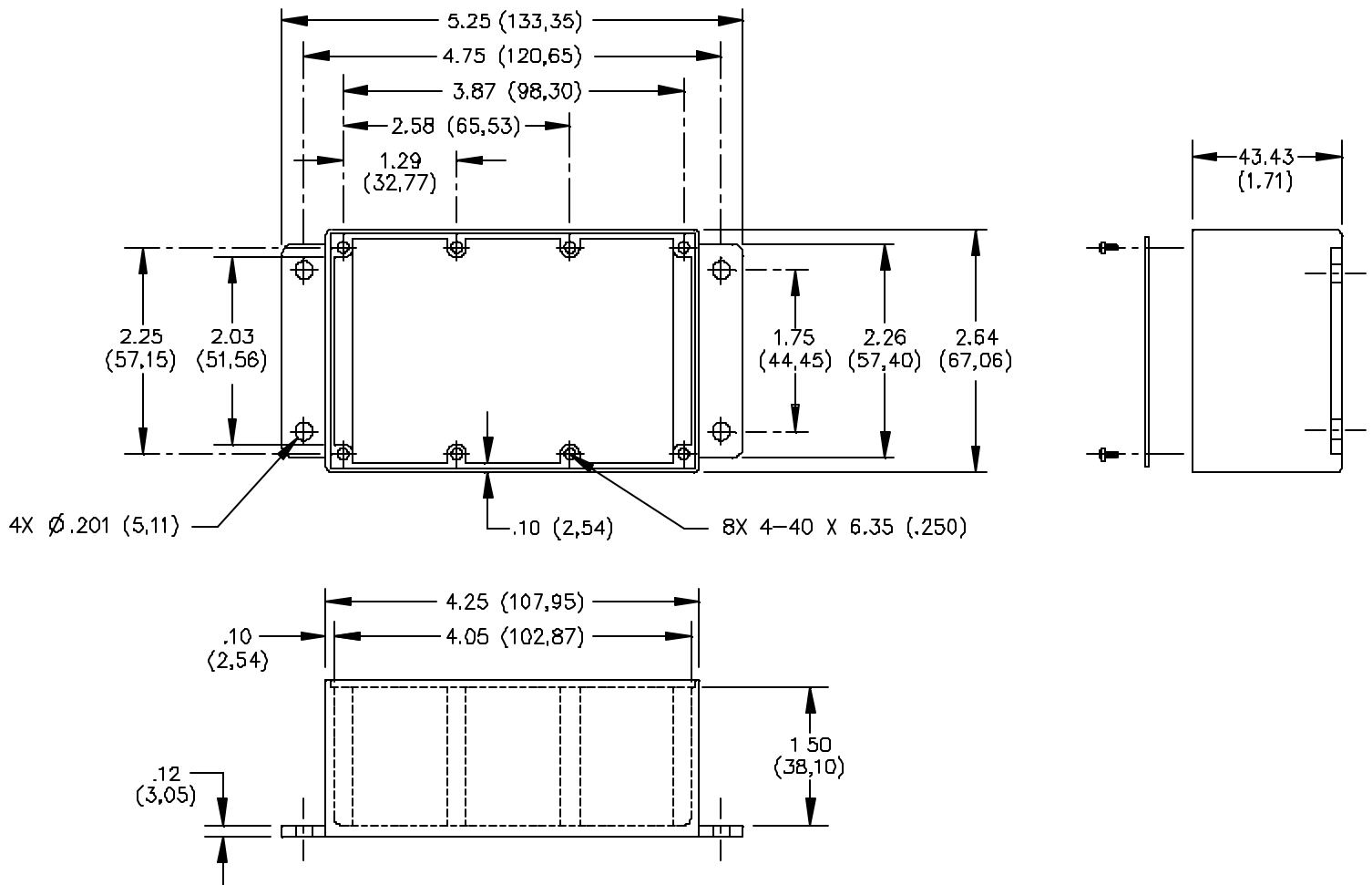


Model 2901 Size C Aluminum Box With Cover



MATERIALS:

Screws: (8) 4-40 x 6.35 (.25) Phillips, Pan Head – Steel

Finish: Zinc Plated

Cover: 2.03 (.080) Thick aluminum, Alloy 1100-H14

Finish: Clear anodized per MIL-A-8625.

Shielded Housing: Die cast aluminum, Alloy A380 or A384.

Finish: Blue paint per Federal Standard 595, Color No. 25109.

ORDERING INFORMATION: Model 2901

All dimensions are in inches. Tolerances (except noted): .xx = ±.02" (.51 mm), .xxx = ± .005" (.127 mm).

All specifications are to the latest revisions. Specifications are subject to change without notice.

Registered trademarks are the property of their respective companies. Made in USA

Mouser Electronics

Authorized Distributor

Click to View Pricing, Inventory, Delivery & Lifecycle Information:

[Pomona:](#)

[2901](#)