

Stick Switch for Automotive Use (with Encoder/Center-push Function)

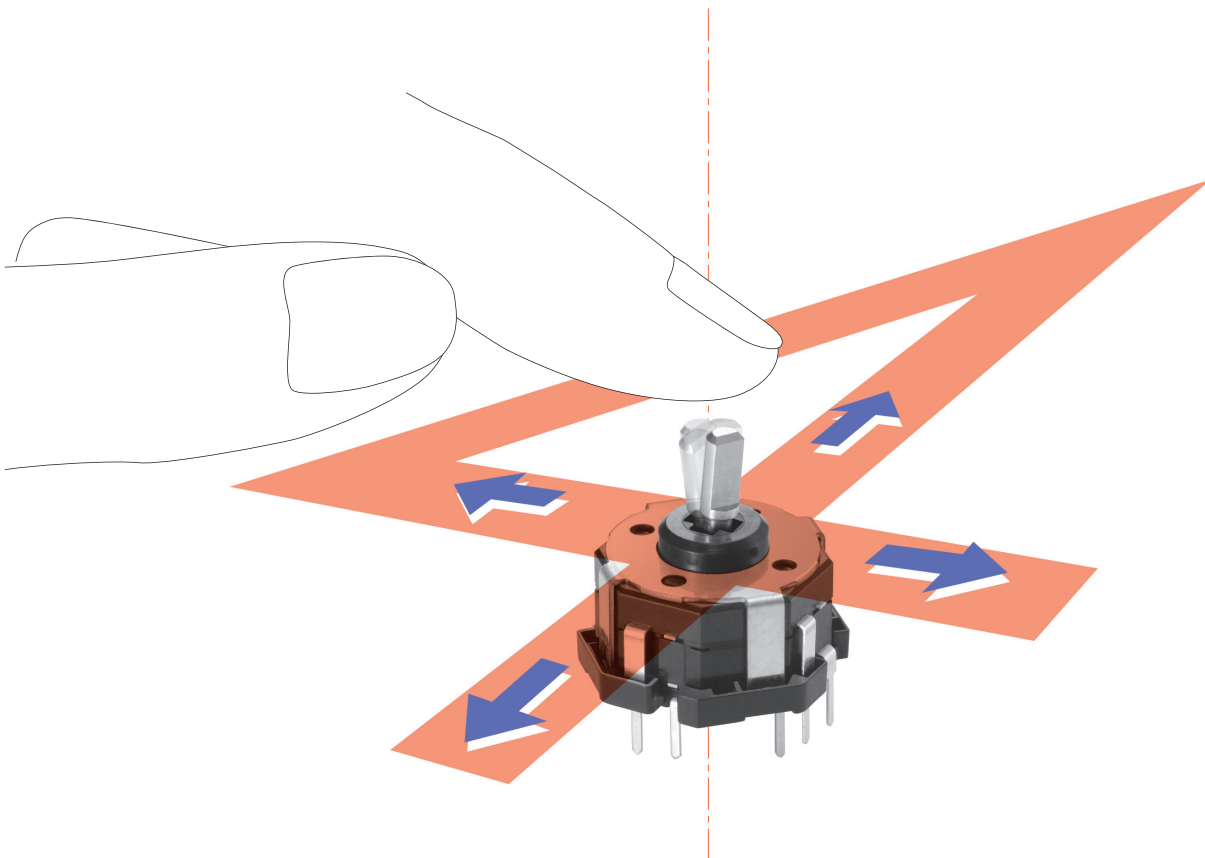
ALPS®

RKJXT Series

New
2007

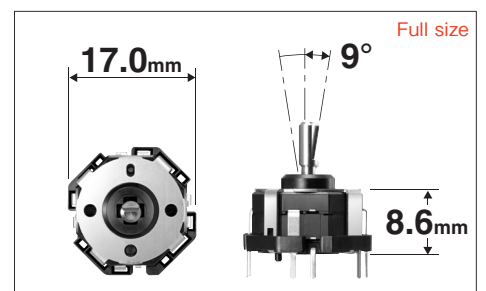
Multi-function input device with a single shaft.

4-way selection with one finger.



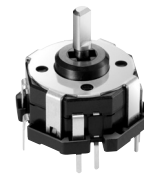
The tactile feeling of the 4 directional stick switch ensure comfortable combined operability with a high-grade operational feeling .

- 4-way selection with a single shaft, combined with encoder (15-pulse, 30-detent) and center-push function.
- Improved operability with a low angle (9°) for stick operation.
- Improved set design flexibility with a compact size (width: 17mm, height: 8.6mm).
- Large shaft diameter for ease of inserting a knob.



Alps offers a multiple functionality of 4-way selection and encoder operation with a combination of center-push.

Stick Switch for Automotive Use (with Encoder/Center-push Function)



RKJXT Series

4-way selection with a single shaft, combination of encoder and center-push function achieved transparent performance and a high-grade operational feeling.

Applications

Mode change, volume/cursor control for car audio and car navigation systems.

Typical Specifications

Stick Switch

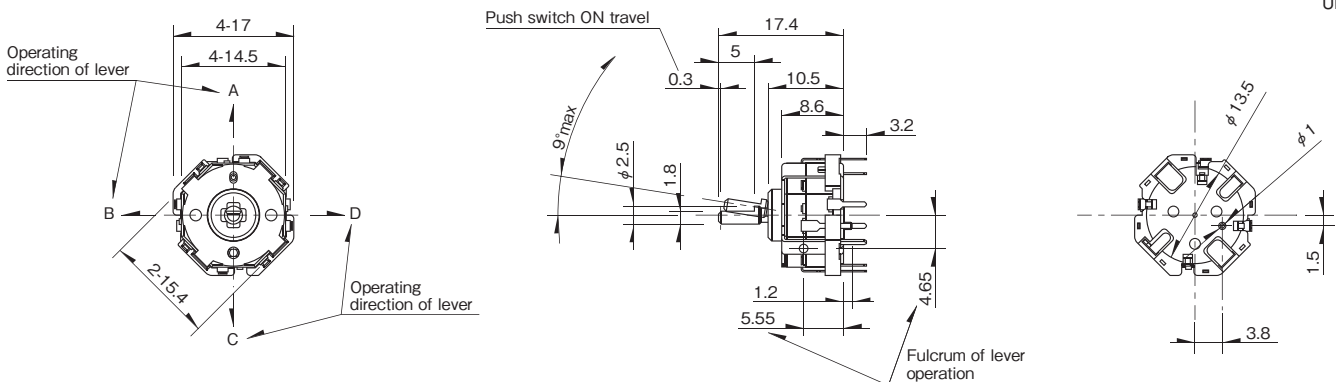
Items	Specifications
Rating (max.) (Resistive load)	10mA 5V DC
Contact resistance(Lever operation/Push operation)	1Ω max.
Operating force (Lever operation)	40mN·m
Operating angle (Lever operation)	9° max.
Travel (Push operation)	0.3mm
Operating life(4-direction/Center-push)	50,000 cycles (for optional direction)

Encoder

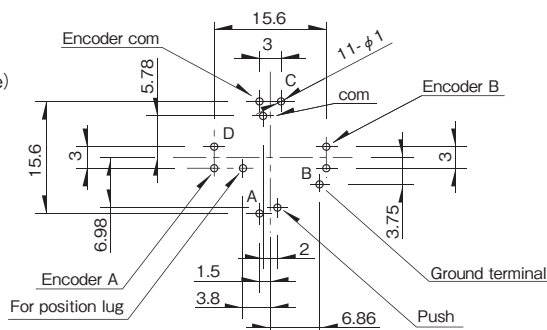
Items	Specifications
Rating (max.) (Resistive load)	10mA 5V DC
Number of pulse	15
Number of detent	30
Detent torque	15mN·m
Operating life	15,000 cycles

Dimensions

Unit:mm



PC board mounting hole dimensions (Viewed from mounting side)



Output relation chart between lever position and On position

Terminal	Operation procedure				
	A	B	C	D	Enter push
Com-A	ON				
Com-B		ON			
Com-C			ON		
Com-D				ON	
Com-Push	ON	ON	ON	ON	ON

Cautions for Use

1. Specification indicated in this catalog is outline only. When employing the product, use of an officially authorized specification for supply contract is recommended.
2. Unless specifically indicated otherwise, products in this catalog have been designed and manufactured for use in ordinary electronic equipment and devices, such as AV equipment, electric home appliances, office machines, and communications equipment. Equipment manufacturers are consequently advised that when these products are planned for equipment that requires a high degree of safety and reliability, especially those apparatuses like medical equipment, aviation and aircraft equipment, space equipment, and burglar alarm equipment, the manufacturers should assure equipment safety by providing protection circuits and redundant circuitry and should fully study the suitability of such products for the intended equipment.
3. The external appearance, performances, and other properties of the product may be changed for improvement without prior notice. The product introduced in this catalog may discontinue being produced without prior notice.
4. All product names, company names and names of standards described in this catalog are trademarks or registered trademarks of their respective owners.
5. Please contact us for any enquiries and queries on our products and their uses.
6. This catalog is valid till the end of December 2007.

Inquiries about Products

Products Information Center +81 (3) 5499-8154
Products Catalog Site <http://www3.alps.com>

ALPS®

ALPS ELECTRIC CO., LTD.
1-7, Yukigaya-otsuka-cho, Ota-ku, Tokyo, 145-8501

Mouser Electronics

Authorized Distributor

Click to View Pricing, Inventory, Delivery & Lifecycle Information:

ALPS:

[RKJXT1E12001](#)