

THIS DOCUMENT CONTAINS PROPRIETARY DATA OF POLARIS INDUSTRIAL ENTERPRISES, INC. NO DISCLOSURE, REPRODUCTION, OR USE OF ANY PART THERE OF MAY BE MADE EXCEPT BY WRITTEN PERMISSION.

REV.	BY	DATE	APPRVL.	P/N
B	BT	2-24-99		MW22B-1 WAS ±0.25%

**ELECTRICAL SPECIFICATIONS**

RESISTANCE RANGE \_\_\_\_\_ 100 TO 100,000 OHMS  
 RESISTANCE TOLERANCE \_\_\_\_\_ ± 5%  
 INDEPENDENT LINEARITY SEE CHART  
 POWER RATING SEE CHART  
 ELECTRICAL NOISE SEE CHART  
 ELECTRICAL ANGLE SEE CHART  
 END RESISTANCE SEE CHART  
 RESOLUTION 1 OHM OR 1% MAX.  
 INSULATION RESISTANCE SEE CHART  
 DIELECTRIC STRENGTH 1000 MEGOHMS MIN. @ 500VDC  
 1000 VAC MIN.

**MECHANICAL**

MECHANICAL ANGLE SEE CHART  
 STOP STRENGTH 48 OZ./IN.  
 STARTING TORQUE 1.4 OZ. IN. MAX.  
 ROTATIONAL LIFE 1,000,000 REVOLUTIONS  
 WEIGHT 0.8 OZ.

**ENVIRONMENTAL**

OPERATING TEMPERATURE -55° TO +105°C  
 TEMPERATURE COEFFICIENT SEE CHART  
 VIBRATION 10HZ TO 2,000HZ 15G  
 MOISTURE RESISTANCE 40°C/95%RH 120 HOURS  
 SHOCK 50G 11ms

**MATERIALS**

HOUSING----- HIGH TEMP. THERMO PLASTIC  
 TERMINALS----- GOLD PLATED BRASS  
 BUSHING----- BRASS  
 SHAFT----- STAINLESS STEEL  
 RESISTIVE ELEMENT----- WIREWOUND

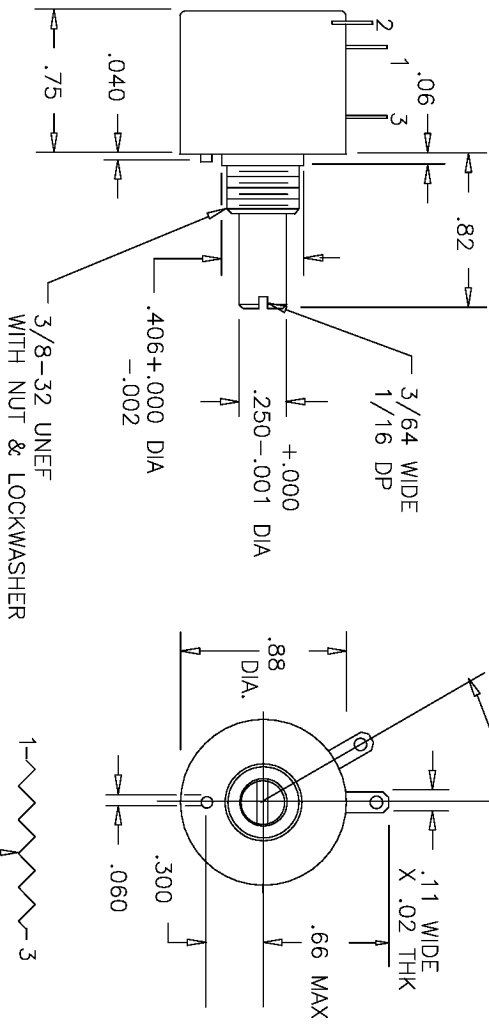
**NON-STANDARDS AVAILABLE**

MULTI-GANGED UP TO 6 SECTIONS  
 REAR SHAFT EXTENSION  
 FRONT SHAFT MODIFICATIONS

**RESOLUTION CHART**

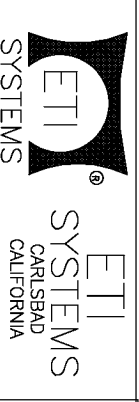
RESISTANCE (OHMS)	50	100	200	500	1K	2K	5K	10K	20K	50K	100K
MW22B-1 TURN	0.60	0.50	0.40	0.30	0.25	0.20	0.20	0.16			
MW22B-3 TURN	.15	.12	.090	.070	.056	.058	.045	.036	.030	.027	
MW22B-5 TURN	.10	.08	.064	.050	.040	.042	.032	.026	.021	.019	
MW22B-10 TURN	.06	.05	.040	.030	.025	.020	.020	.016	.013	.010	.009
TEMPERATURE COEFFICIENT PPM/°C	80										
	20										

MODEL	ELECTRICAL ANGLE	MECHANICAL ANGLE	LINEARITY INDEPENDENT	POWER RATING
MW22B-1	360°±5°	360°+10°/-0°	±0.5%	0.5WATT
MW22B-3	1080°±5°	1080°+10°/-0°	±0.5%	1 WATT
MW22B-5	1800°±5°	1800°+10°/-0°	±0.3%	1 WATT
MW22B-10	3600°±5°	3600°+10°/-0°	±0.25%	2 WATT



**TOLERANCES**  
 XX = +/- .010" FRACT. = +/- 1/64"  
 XXX = +/- .005" ANGLES = +/- 1/2"  
 ALL SPECIFICATIONS SUBJECT TO CHANGE WITHOUT NOTICE.

SCALE	DATE: 4-18-85
NONE	BY BT
CODE IDENT: 19477	APPR/VID



**TITLE**  
 MULTI-TURN POTENTIOMETER

**PART NO.**  
 MW22B

# Mouser Electronics

Authorized Distributor

Click to View Pricing, Inventory, Delivery & Lifecycle Information:

## ETI Systems:

[MW22B-10-100](#) [MW22B-10-100K](#) [MW22B-10-10K](#) [MW22B-10-1K](#) [MW22B-10-200](#) [MW22B-10-20K](#) [MW22B-10-2K](#)  
[MW22B-10-500](#) [MW22B-10-50K](#) [MW22B-10-5K](#) [MW22B-3-100](#) [MW22B-3-10K](#) [MW22B-3-1K](#) [MW22B-3-200](#)  
[MW22B-3-20K](#) [MW22B-3-2K](#) [MW22B-3-500](#) [MW22B-3-5K](#) [MW22B-5-10K](#) [MW22B-5-1K](#) [MW22B-5-20K](#) [MW22B-5-5K](#) [MW22B-10-50](#) [MW22B-10-5K/5K](#) [MW22B-2200-5K](#) [MW22B-3-50K](#) [MW22B-2200-10K](#) [MW22B-3165-500](#)  
[MW22B10SB1K](#) [MW22B-10MP](#) [MW22B-10-20](#) [POT-3217-02 \(MW22S-3217-500\)](#) [MW22B-10MP-10K](#) [MW22B-3SB-500](#)