



SERIES R6 SWITCHES

ROCKER SWITCHES



SPECIFICATIONS

Contact Rating:	10A@125 VAC, 6A@250 VAC (UL, CUL) 4(1)A @250 VAC
Life Expectancy (Mechanical):	50,000 cycles
Life Expectancy (Electrical):	10,000 cycles
Contact Resistance:	<20 mΩ (Initial)
Insulation Resistance:	>1,000MΩ @ 500V DC
Dielectric Strength:	>1,500V AC 1 minute (Initial)
Operating Temp:	-20°C to 65°C

MATERIALS

Body:	Nylon 6/6 (UL94 V-2)
Rocker:	Nylon 6/6 (UL94 V-2)
Contact Surface:	Coin Silver
Terminal:	Silver plated copper alloy

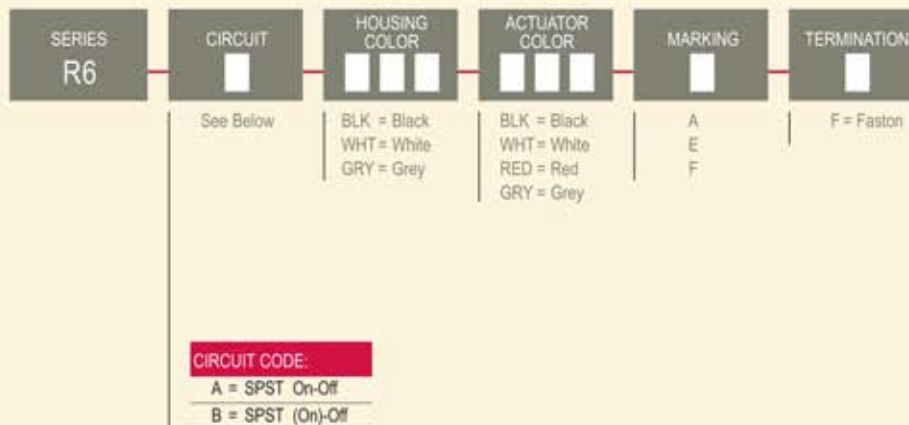
FEATURES & BENEFITS

- ▶ Slim-line package design

APPLICATIONS/MARKETS

- ▶ Audio/Visual
- ▶ Consumer Electronics
- ▶ Test/Instrumentation

HOW TO ORDER



Example Ordering Number
R6-A-BLK-BLK-E-F

Specifications subject to change without notice.

TACT SWITCHES

NAVIGATION SWITCHES

PUSHBUTTON SWITCHES

TOGGLE SWITCHES

ROCKER SWITCHES

SLIDE SWITCHES

SNAP-ACTION SWITCHES

DIP SWITCHES

KEYLOCK SWITCHES

ROTARY SWITCHES

DETECTOR SWITCHES

CAP OPTIONS



SERIES R6 SWITCHES

ROCKER SWITCHES

TACT SWITCHES

NAVIGATION SWITCHES

PUSHBUTTON SWITCHES

TOGGLE SWITCHES

ROCKER SWITCHES

SLIDE SWITCHES

SNAP-ACTION SWITCHES

DIP SWITCHES

KEYLOCK SWITCHES

ROTARY SWITCHES

DETECTOR SWITCHES

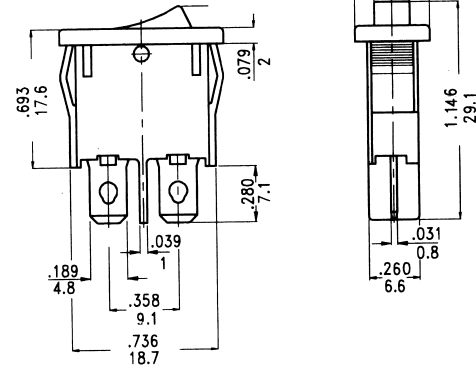
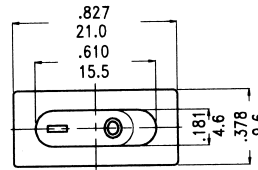
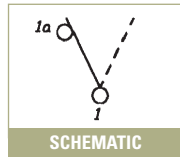
CAP OPTIONS

SPST



Circuit Code	POS 1	POS 2
A	ON	OFF
B	(ON)	OFF
Term. Comm.	1-1a	OPEN

() = Momentary

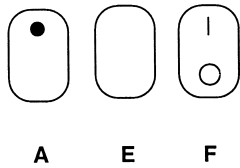


Panel Cut Out

Panel Thickness	X mm (inch)
.75 - 1.25 (.030)-(.049)	19.2±.1 (.756±.004)
1.25 - 2.00 (.049)-(.079)	19.25±.1 (.758 ±.004)
2.00 - 3.00 (.079)-(.118)	19.3±.1 (.760±.004)

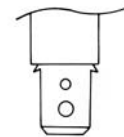
PANEL MOUNTING

MARKING OPTIONS



TERMINATION OPTIONS

F FASTON



0.81 (.032) THK terminals designed for Quick Connect connectors available from AMP Industries, Harrisburg, PA 17105. (Or equivalent).

Mouser Electronics

Authorized Distributor

Click to View Pricing, Inventory, Delivery & Lifecycle Information:

E-Switch:

[R6ABLKBLKFF](#) [R6ABLKBLKEF](#) [R6AGRYGRYFF](#) [R6AGRYWHTFF](#) [R6BBLKBLKAF](#) [R6BBLKBLKFF](#)
[R6BBLKREDEF](#) [R6BBLKREDF](#) [R6ABLKBLKAF](#) [R6ABLKGRYEF](#) [R6ABLKREDAF](#) [R6ABLKREDF](#)
[R6ABLKWHTF](#) [R6AGRYWHTF](#) [R6AWHTBLKFF](#) [R6AWHTGRYEF](#) [R6AWHTGRYFF](#) [R6AWHTREDAF](#)
[R6AWHTWHTF](#) [R6AWHTWHTFF](#) [R6BBLKBLKEF](#) [R6BBLKREDAF](#)