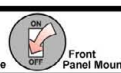


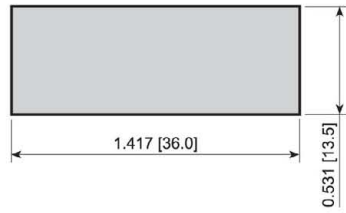
PP2 Series



US RoHS

NEW

Suggested Panel Cutout



FEATURES:

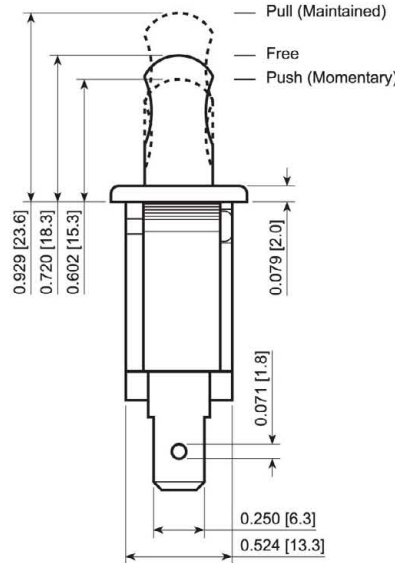
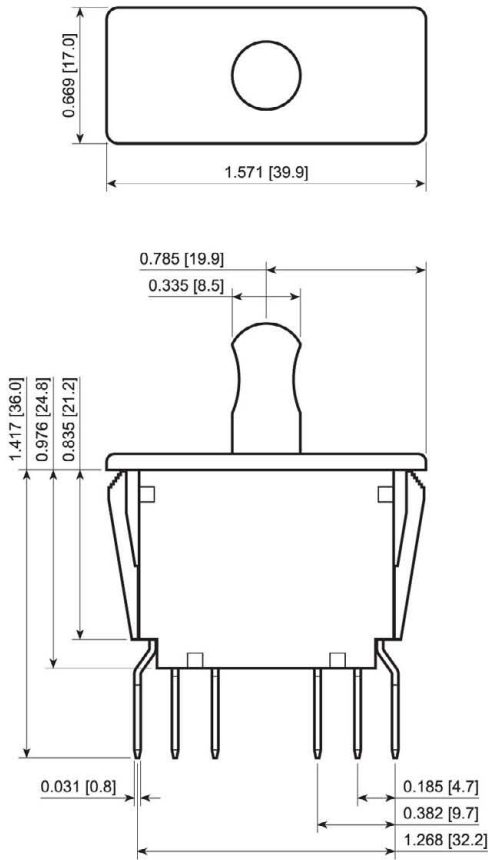
- Push-Pull or Momentary Functions
- Various Actuator and Terminal Options
- High Ratings with UL Approvals

SPECIFICATIONS:

ELECTRICAL RATING: 16A 125VAC [cURus]
12A 250VAC [cURus]
1hp 125/250VAC [cURus]
TEMPERATURE: 0°C to 85°C [cURus]
ELECTRICAL LIFE: 6,000 Cycles [cURus]
CONTACT RESISTANCE: 50mΩ Max.

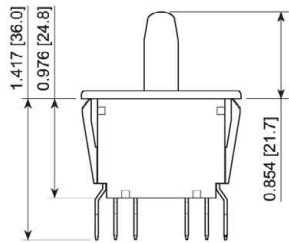
MATERIALS:

Body: Polyamide 6/6
ACTUATOR: Polyamide 6/6
CONTACTS: Silver Alloy
TERMINALS: Silver Plated Brass

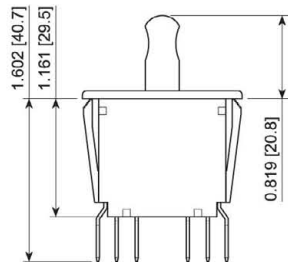


PP2-4U7-2B2

Actuator Options

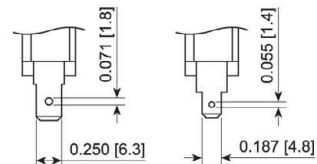


21.7mm Straight



20.8mm Push-Pull

Terminal Options



6.3mm Tab

4.8mm Tab

PP2-4H7-2A2



SPECIFICATIONS SUBJECT TO CHANGE WITHOUT NOTICE

Series	Terminal Type	Function	Rating	Body Color	Actuator Height	Actuator Color
PP2	1 - 4.8mm Tabs, Vertical 4 - 6.3mm Tabs, Vertical	H - On-(On) U - On ₂ -On ₁ -(On ₂)	7 - 16A 125VAC 12A 250VAC 1HP 125/250VAC	1 - Black 2 - White	A - 21.7mm Straight* B - 18.3mm Push-Pull** C - 20.8mm Push-Pull**	2 - White

Notes:
* = Available with H function only.
** = Available with U function only.

EXAMPLE PART NUMBERS:

PP2-4H7-2A2 2P On-(On)
6.3mm Tab, 19.7mm Straight Actuator
PP2-4U7-2B2 2P On₂-On₁-(On₂)
6.3mm Tab, 16.3mm Push-Pull Actuator

Mouser Electronics

Authorized Distributor

Click to View Pricing, Inventory, Delivery & Lifecycle Information:

E-Switch:

[PP2-7H1-2D2](#) [PP2-1U7-2B2](#) [PP2-4U7-2B2](#) [PP2-1H7-2A2](#) [PP2-4U7-2C2](#) [PP2-4H7-2A2](#) [PP2-4HG-2D2](#) [PP2-4H7-2D2](#) [PP2-7UX-2B2](#) [PP2-1H7-2D2](#) [PP2-4HG-2A2](#)