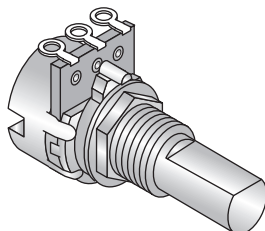
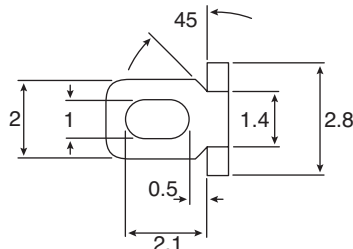
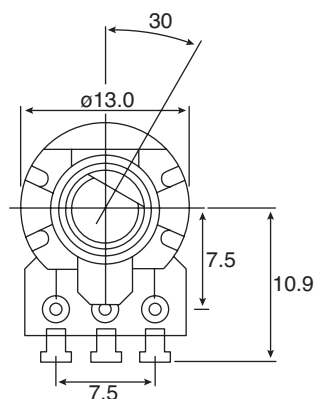
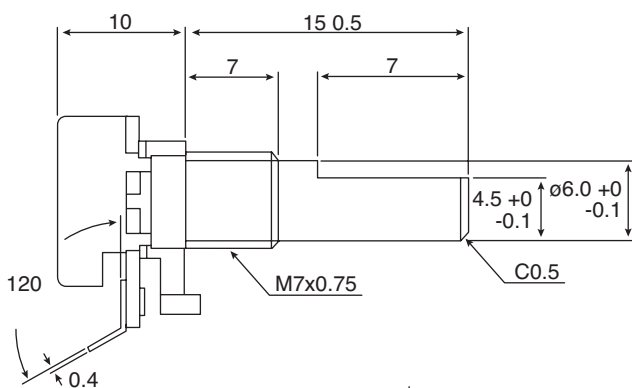




Potentiometers
RV120F-10-15F-SERIES



Shaft Shown In Full C.C.W. Position



RoHS Compliant

Dimensions: mm

Specifications:

- Total rotation angle: 300° ± 5°
- Rotational life: 15,000 cycles
- Termination: solder lugs
- Flat/ "D" Shaft: 6.0mm diameter
- Rated wattage:
 - linear= 0.08W
 - audio=0.04W
- Maximum working voltage:
 - linear= 150V
 - audio= 100V

Tol. Unless Otherwise Stated		
Less Than	10	±0.3
Above	10-30	±0.5
Above	30~100	±1.0
Above	- - -	±5°

Alpha Part Number	Value	Taper
RV120F-10-15F-A1K	1K	Audio
RV120F-10-15F-A5K	5K	Audio
RV120F-10-15F-A10K	10K	Audio
RV120F-10-15F-A50K	50K	Audio
RV120F-10-15F-A100K	100K	Audio
RV120F-10-15F-A500K	500K	Audio
RV120F-10-15F-A1M	1M	Audio
RV120F-10-15F-B1K	1K	Linear
RV120F-10-15F-B5K	5K	Linear
RV120F-10-15F-B10K	10K	Linear
RV120F-10-15F-B50K	50K	Linear
RV120F-10-15F-B100K	100K	Linear
RV120F-10-15F-B500K	500K	Linear
RV120F-10-15F-B1M	1M	Linear

Mouser Electronics

Authorized Distributor

Click to View Pricing, Inventory, Delivery & Lifecycle Information:

[Alpha \(Taiwan\):](#)

[RV120F-10-15F-B10K](#) [RV120F-10-15F-A10K](#) [RV120F-10-15F-A100K](#) [RV120F-10-15F-A50K](#) [RV120F-10-15F-B50K](#)
[RV120F-10-15F-A1M](#) [RV120F-10-15F-A1K](#) [RV120F-10-15F-A5K](#) [RV120F-10-15F-B5K](#) [RV120F-10-15F-B1K](#)
[RV120F-10-15F-B1M](#) [RV120F-10-15F-A500K](#) [RV120F-10-15F-B500K](#)