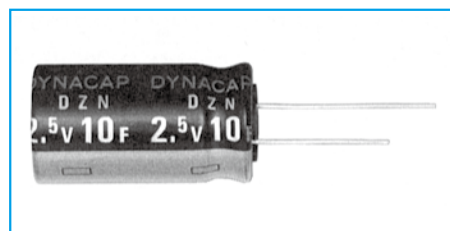
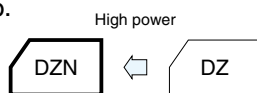


## High Power Type Capacitors

GREEN CAP    70 °C    Low ESR    2.5V / 2.7V

- Low internal resistance allows boosting charge and heavy-current discharge. (ampere level)
- Pollution-Free ; with no pollutants such as Cd or Pb.
- Unlike batteries, excellent charge and discharge characteristics with no chemical reaction



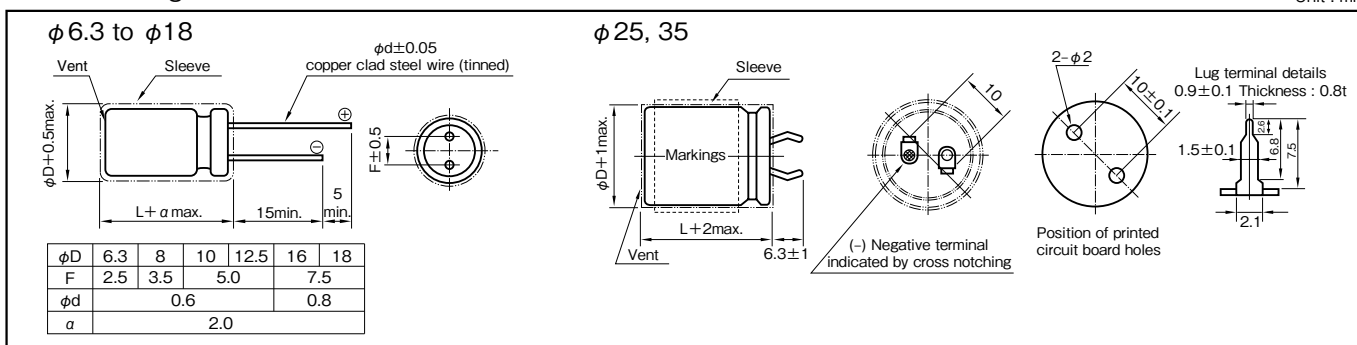
Marking color : White print on a blue sleeve

### Specifications

Item	Performance	
Category temperature range (°C)	-25 to +70	
Tolerance at rated capacitance (%)	-20 to +80	
Internal resistance at 1 kHz	Refer to the following page	
Characteristics at high and low temperature	Percentage of capacitance change	Within ±30% of the value at 20°C
	Internal resistance	Less than five times of the value at 20°C
Endurance (70°C)	Test time	1000 hours
	Percentage of capacitance change	Within ±30% of the initial measured value
	Internal resistance	Less than four times of the initial specified value
Shelf life (70°C)	Test time : 1000 hours ; Same as endurance.	
Applicable standards	Conforms to JIS C5160-1 2009 (IEC 62391-1 2006)	

### Outline Drawing

Unit : mm



### Part numbering system (example : 2.5V10F)

DZN	—	2R5	D	106	(Z6)(S)	T	—	□
Series code		Max. operating voltage symbol	Terminal code	Rated capacitance symbol	Casing symbol			Taping (Forming) symbol

Part number is refer to the following page.

Standard Ratings (Series DZN 2.5V)

Max. operating voltage (V)	Rated capacitance (F)	Max. Leakage Current (mA) after 24h	ELNA Parts No.	φ D×L (mm)	Internal resistance (Ω max.) at 1kHz	Internal resistance (mΩ max.) (DCR)
2.5	1	0.1	DZN-2R5D105F4T	6.3×14	0.4	1500
2.5	1	0.1	DZN-2R5D105G3T	8×12	0.3	1000
2.5	2.7	0.2	DZN-2R5D275G5ST	8×20	0.3	500
2.5	3.3	0.2	DZN-2R5D335H5T	10×20	0.2	350
2.5	4.7	0.3	DZN-2R5D475H5T	10×20	0.1	400
2.5	5.6	0.3	DZN-2R5D565H5T	10×20	0.1	350
2.5	6.8	0.4	DZN-2R5D685H6T	10×25	0.1	300
2.5	10	0.5	DZN-2R5D106H8T	10×35	0.1	200
2.5	10	0.5	DZN-2R5D106Z6ST	12.5×25	0.1	200
2.5	15	0.7	DZN-2R5D156Z8ST	12.5×35	0.1	150
2.5	15	0.7	DZN-2R5D156J5T	16×20	0.1	150
2.5	22	0.8	DZN-2R5D226J6T	16×25	0.1	120
2.5	33	0.8	DZN-2R5D336J8T	16×35.5	0.1	100
2.5	40	0.8	DZN-2R5D406K9T	18×40	0.1	75
2.5	50	1.0	DZN-2R5D506T	25×40	0.03	60
2.5	100	1.0	DZN-2R5D107S37T	25×50	0.03	50
2.5	200	2.0	DZN-2R5D207S57T	35×50	0.03	40

We tailor packaged product in series and parallel arrangements according to voltage and capacitance as required.

Standard Ratings (Series DZN 2.7V)

Max. operating voltage (V)	Rated capacitance (F)	Max. Leakage Current (mA) after 24h	ELNA Parts No.	φ D×L (mm)	Internal resistance (Ω max.) at 1kHz	Internal resistance (mΩ max.) (DCR)
2.7	1	0.2	DZN-2R7D105F4T	6.3×14	0.4	1500
2.7	1	0.2	DZN-2R7D105G3T	8×12	0.3	1000
2.7	2.7	0.3	DZN-2R7D275G5ST	8×20	0.3	500
2.7	3.3	0.3	DZN-2R7D335H5T	10×20	0.2	350
2.7	4.7	0.4	DZN-2R7D475H5T	10×20	0.1	400
2.7	5.6	0.4	DZN-2R7D565H5T	10×20	0.1	350
2.7	6.8	0.5	DZN-2R7D685H6T	10×25	0.1	300
2.7	10	0.6	DZN-2R7D106H8T	10×35	0.1	200
2.7	10	0.6	DZN-2R7D106Z6ST	12.5×25	0.1	200
2.7	15	0.8	DZN-2R7D156Z8ST	12.5×35	0.1	150
2.7	15	0.8	DZN-2R7D156J6T	16×25	0.1	150
2.7	22	1.0	DZN-2R7D226J7T	16×31.5	0.1	120
2.7	33	1.0	DZN-2R7D336J9T	16×40	0.1	100

We tailor packaged product in series and parallel arrangements according to voltage and capacitance as required.

# Mouser Electronics

Authorized Distributor

Click to View Pricing, Inventory, Delivery & Lifecycle Information:

Elna:

[DZN-2R5D105T](#) [DZN-2R5D605H7T](#)