



**Important notes about Classic Panel Mount Indicator Catalog Pages**

**SCROLL DOWN TO VIEW CATALOG PAGE**

This catalog page is out-of-print and is used with the understanding that the information shown could be out-of-date. In many cases, part numbers shown on this page are discontinued. Most notably, many “Complete Assembly” parts, which consist of a cap and a base, can no longer be ordered by the 14-digit ordering code. To obtain these parts, please order the cap and base part numbers separately. This process provides the components contained with the original “Complete Assembly” part number.

All Dialight Classic Panel Mount Indicators need a leading 3-digit numerical series. In some cases, this catalog will show a 2-digit series. In this case, please add a leading zero. For example, 81-0211-300 becomes 081-0211-300.

Part numbers listed on Dialight catalog pages designate parts with Red lenses. For ordering lens colors other than red, consult the chart below. In most cases, the color is dictated by the 7<sup>th</sup> digit. For example, 095-0932-003 for a green cap.

Lens Colors	
1 - Red	5 - White
2 - Green	6 - Light Yellow
3 - Yellow	7 - Clear
4 - Blue	

[Click here for a cross reference guide to assembly part numbers.](#)

[Click here to view Frequently Asked Questions concerning Panel Mount Indicators.](#)

**SCROLL DOWN TO VIEW CATALOG PAGE**



T-2  
C7A(NE-2D)  
C9A(NE-2J)  
MIDGET  
FLANGE BASE

See lamp ratings  
on page L.

# Neon Indicators

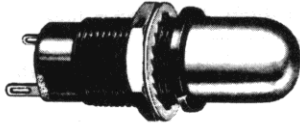
TWO TERMINALS—FULLY INSULATED  
WITH BUILT-IN RESISTORS  
FOR MOUNTING IN 15/32" CLEARANCE HOLE

MEET OR EXCEED ENVIRONMENTAL AND OPERATIONAL REQUIREMENTS  
OF MIL-L-6723 AND MIL-L-3661B

When connecting a neon light to a circuit having one side grounded, always connect the hot side of the circuit to the terminal marked + (Center Contact).

## FEATURES

- **Rugged-phenolic insulated:** The socket, lamp, and all connections are well insulated from the mounting bushing by means of phenolic material of military specification grade.
- Ultra-compact; conserves space and weight.
- Lens cap assembly unscrews from front of panel for easy replacement of the lamp.
- The shank of the lens holder is crimped in 3 evenly spaced places to secure the lamp.
- Anti-rotation (locked) construction.



361-8836-0931-552  
LH74/1; LC13RN2

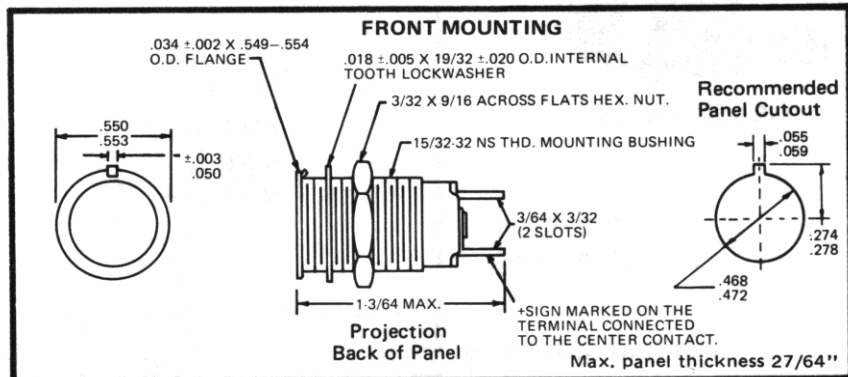
361-8864-0931-522  
LH74/2; LC13RN2

## MATERIAL AND FINISHES

- **Mounting Bushing:** Aluminum, black anodize finish.
- **Internal-tooth Lockwasher and Mounting nut:** Steel, cadmium plated with yellow iridescent chromate finish.
- **Terminals:** Brass, hot tinned with elongated slot.

## QPL Listed

361 SERIES



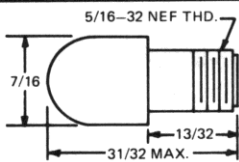
## BASE PART NUMBERS

LH 74/1 361-8836-09-552  
With built in 62K resistor

LH 74/2 361-8864-09-522  
With built in 27K resistor

## CAP PART NUMBERS

## COMPLETE ASSEMBLY PART NUMBERS



STOVEPIPE  
NON-DIFFUSING

Type Desig.	Part Number	Lens Cap Color
LC13RN2	137-0931	Red
LC13YN2	137-0933	Yellow (amber)
LC13WT2	137-0935	White
LC13CN2	137-0937	Clear (colorless)

Part numbers shown in gray are normally  
in inventory at your Dialight Distributor.

# Mouser Electronics

Authorized Distributor

Click to View Pricing, Inventory, Delivery & Lifecycle Information:

Dialight:

[361-8864-09-520](#) [361-8836-09-550](#) [361-8836-09-552](#) [361-8864-09-522](#)