



**Important notes about Classic Panel Mount Indicator Catalog Pages**

**SCROLL DOWN TO VIEW CATALOG PAGE**

This catalog page is out-of-print and is used with the understanding that the information shown could be out-of-date. In many cases, part numbers shown on this page are discontinued. Most notably, many “Complete Assembly” parts, which consist of a cap and a base, can no longer be ordered by the 14-digit ordering code. To obtain these parts, please order the cap and base part numbers separately. This process provides the components contained with the original “Complete Assembly” part number.

All Dialight Classic Panel Mount Indicators need a leading 3-digit numerical series. In some cases, this catalog will show a 2-digit series. In this case, please add a leading zero. For example, 81-0211-300 becomes 081-0211-300.

Part numbers listed on Dialight catalog pages designate parts with Red lenses. For ordering lens colors other than red, consult the chart below. In most cases, the color is dictated by the 7<sup>th</sup> digit. For example, 095-0932-003 for a green cap.

Lens Colors	
1 - Red	5 - White
2 - Green	6 - Light Yellow
3 - Yellow	7 - Clear
4 - Blue	

[Click here for a cross reference guide to assembly part numbers.](#)

[Click here to view Frequently Asked Questions concerning Panel Mount Indicators.](#)

**SCROLL DOWN TO VIEW CATALOG PAGE**



T-2  
C7A(NE-2D)  
C9A(NE-2J)  
MIDGET  
FLANGE BASE

See lamp ratings  
on page L.

See recommended resistor  
values on page L.

# Neon Indicators

WITHOUT BUILT IN RESISTORS

MEET OR EXCEED ENVIRONMENTAL AND OPERATIONAL REQUIREMENTS  
OF MIL-L-6723 AND MIL-L-3661B

When connecting a neon light to a circuit having one side grounded, always  
connect the hot side of the circuit to the terminal marked + (center contact).

Omnidirectional lenses in Signal Colors. . . These  
unique lenses are molded of high heat plastic. They  
radiate light in all directions. Their heavy wall is rein-  
forced by a threaded brass insert. This fitting receives  
the lamp and screws into the internal thread of the  
bushing. The bulb enters well into the plastic lens for  
best effectiveness.

Whether used on the front or back insertion as-  
sembly, the lens is readily removable from the front  
of the panel, thus making the lamp accessible for  
easy replacement.

## MATERIALS AND FINISHES (For Front or Back Mtg. Assemblies)

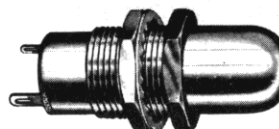
- **Mounting Bushing:** Brass: black nickel finish. Optional—  
White nickel or chrome finish.
- **Mounting Bushing:** Brass, white nickel or chrome finish.
- **Mounting Nut:** (movable flange)—Brass, white nickel finish.
- **Flange Nut:** (movable)—Brass, black nickel finish.  
Optional—White nickel or chrome finish.
- **Internal-tooth Lockwasher:** Phosphor bronze, white nickel  
finish.
- **Terminals:** Brass, hot tinned, with elongated slot.

### How to designate the Three Digit Part Number Suffix (-XXX)

Finish	Resistor	Hardware
1 — white nickel	0 — none	1 — brass
2 — black nickel		3 — water tight on face of panel
3 — polished chrome		

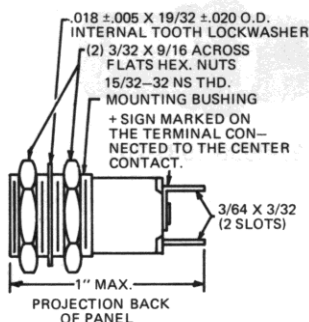
Example: 137-7236-0931-101 (white nickel finish,  
no resistor, brass hardware).

MOUNT IN 15/32" CLEARANCE HOLE  
FRONT OR BACK OF PANEL INSERTION  
WITH MOVABLE FLANGE



137-7236-0931-201

### FRONT OR BACK MOUNTING



Max. panel thickness 1/4"

## 137 SERIES

### BASE PART NUMBERS

CAP PART NUMBERS		COMPLETE ASSEMBLY PART NUMBERS	
<p>STOVEPIPE 137-0931 transparent</p>		137-7236-0931-201	
<p>CYLINDRICAL 137-1531 transparent</p> <p>For legends on flat faced lens, see page P.</p>		137-7236-1531-201	

Part numbers shown in gray are normally  
in inventory at your Dialight Distributor.

# Mouser Electronics

Authorized Distributor

Click to View Pricing, Inventory, Delivery & Lifecycle Information:

Dialight:

[137-7236-09-201](#) [137-7236-09-200](#) [137-7236-09-203](#)