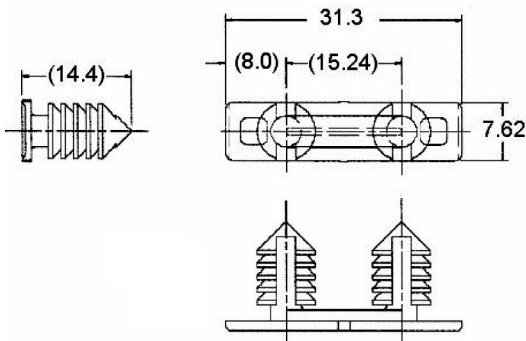




APEX 2.8 mm Connector Clips

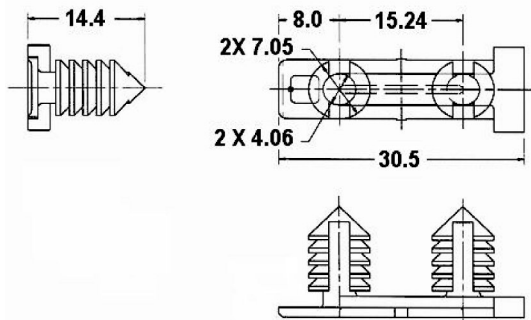


Double X-Tree

Supplier: NTI

Part No. 04707091

Fits both male & female connector clip slots

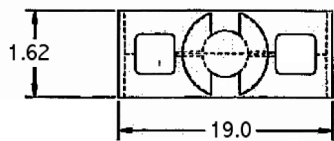


Double X-Tree

Supplier: FCI

Part No. 54200010

Fits male side only connector clip slots.
Provides <200N push through retention.

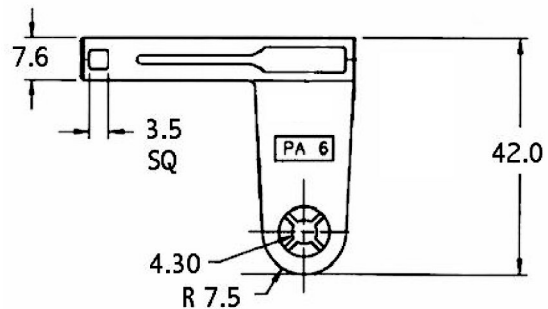
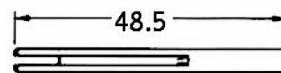


Single X-Tree Clip

Supplier: ITW DELTAR

Part No. 15-002775

Fits both male and female



M5 Weld Stud Clip

Part No. 54200002

Fits both male and female

Mouser Electronics

Authorized Distributor

Click to View Pricing, Inventory, Delivery & Lifecycle Information:

[Aptiv:](#)

[54200010-B](#)