

# .050" (1.27 mm) x .075" (1.90 mm) Staggered ZIP Strip Sockets



- For devices with .050" (1.27 mm) lead centers formed in staggered rows with .100" (2.54 mm) between centers (in same rows) and .075" (1.90 mm) between rows
- Frequently used in pairs to handle devices with staggered leads on opposite sides of the package
- Order left and right hand strips to obtain a complete pair
- Lever actuated zero insertion force mechanism

Date Issued: February 20, 2001

TS-0453-09  
Sheet 1 of 2

23

---

## Physical

### Insulation

Material: Glass Filled Polysulfone  
Flammability: UL 94V-0  
Color: Green

**Marking:** 3M Logo & Part Identification

### Contact

Material: Beryllium Copper  
Plating: 30  $\mu$ " (0.76  $\mu$ m) Gold over 50  $\mu$ " (1.3  $\mu$ m) Nickel

---

## Electrical

**Current Rating:** 1 Amp  
**Insulation Resistance:**  $> 1 \times 10^9 \Omega$  at 500 Vdc  
**Withstanding Voltage:** 1000 Vrms at Sea Level

---

## Environmental

**Operating Temperature Rating:** - 55° C to +150°C

---

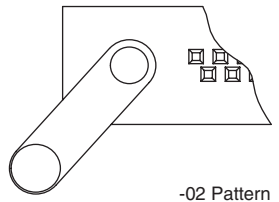
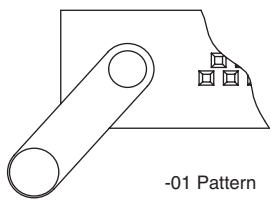
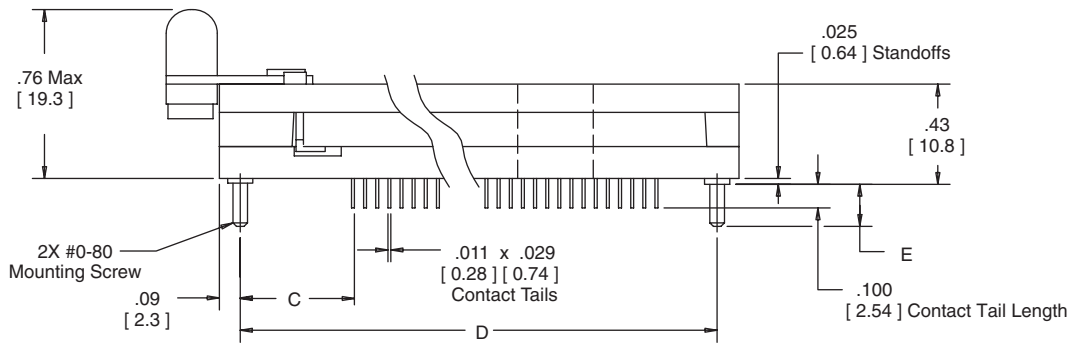
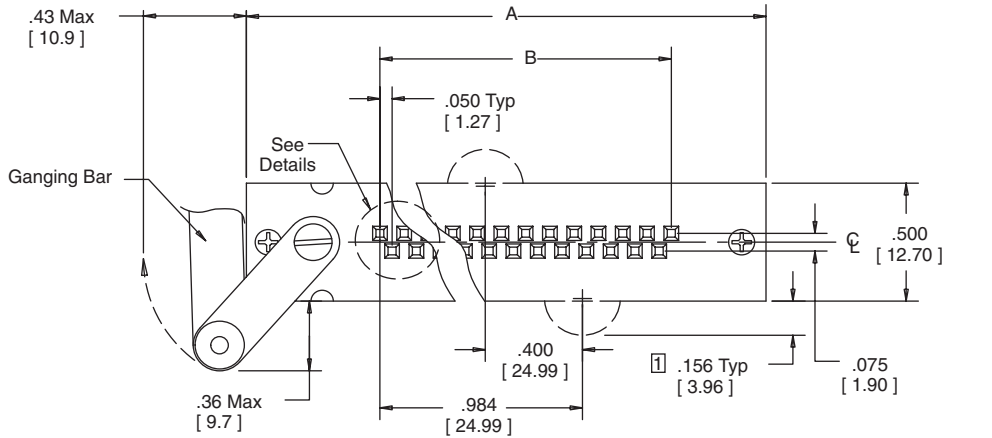
### 3M Electronic Handling and Protection Division

6801 River Place Blvd.  
Austin, TX 78726-9000

For technical, sales or ordering information call **800-328-0411**  
or visit our website: <http://www.3M.com/ehpd>

# .050" (1.27 mm) x .075" (1.90 mm) Staggered ZIP Strip Sockets

Contact Quantity	Dimensions				
	A	B	C	D	E
39	2.77 [ 70.3 ]	1.900 [ 48.26 ]	.460 [ 11.68 ]	2.59 [ 65.8 ]	.20 [ 5.1 ]
55	4.00 [ 101.6 ]	2.700 [ 68.58 ]	.677 [ 17.20 ]	3.80 [ 96.5 ]	.23 [ 5.8 ]



Dimension	Tolerance	
	inch	mm
	.00 (.0)	.000 (.00)
	± .010 (± .25)	± .005 (± .13)

Notes:  
 [1] Stabilizing ears are present only on the 55 position.

## Ordering Information

Socket Part Number	Contact Quantity
239-5605-01-0602	39
239-5605-02-0602	
255-7322-01-0602	55
255-7322-02-0602	

# Mouser Electronics

Authorized Distributor

Click to View Pricing, Inventory, Delivery & Lifecycle Information:

3M:

[239-5605-01-0602](#) [239-5605-02-0602](#)