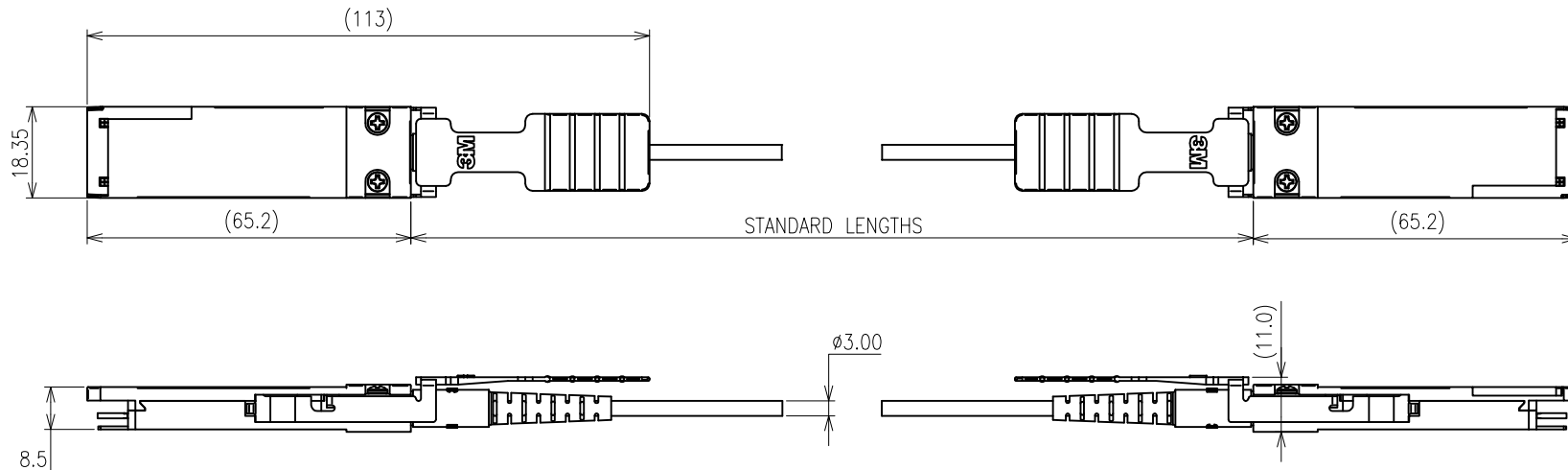


3M™ Active Optical Cable (AOC) Assemblies for QSFP+ Applications
 Visit <http://www.3Mconnectors.com>

REVISION RECORD		
REV.	ECR/ECN/ECO NUMBER	DATE
C	ECR/ECO-0048886	18/07/13
D	ECR/ECO-0052457	28/01/14



NOTES:

- SHELL MATERIAL: ZINC ALLOY
FINISHING: NICKEL PLATING
- UNLESS OTHERWISE NOTED, REFERENCES TO INDUSTRY SPECIFICATIONS ARE INTENDED TO INDICATE SUBSTANTIAL COMPLIANCE TO THE MATERIAL ELEMENTS OF THE SPECIFICATION. SUCH REFERENCES SHOULD NOT BE CONSTRUED AS A GUARANTEE OF COMPLIANCE TO ALL REQUIREMENTS IN A GIVEN SPECIFICATION.
- CABLE LENGTH TOLERANCE:

CABLE LENGTH	TOLERANCE
<10m	+40cm/-20cm
10m to 50m	+40cm/-30cm
>50m	+40cm/-50cm

3M PART NUMBERS

6A22-X04X1-XXX.0-0

- STANDARD LENGTHS: 1 m INCREMENTS FROM 2m TO 30m, 35m, 40m, 45m, 50m, 60m, 70m, 80m, 90m, 100m
- CABLE TYPE: 2 - ORANGE OM2+, PLENUM RATED THERMOPLASTIC
4 - ORANGE OM2+, LOW SMOKE ZERO HALOGEN RATED THERMOPLASTIC (LSZH)
- DATA RATE: A - QDR INFINIBAND / D - FDR INFINIBAND

PART NUMBER	DESCRIPTION
Example: 6A22-A0421-002.0-0	AOC, QSFP-QSFP, QDR INFINIBAND, 4CH, PLENUM, OM2+, 2m
6A22-D0441-003.0-0	AOC, QSFP-QSFP, FDR INFINIBAND, 4CH, LSZH, OM2+, 3m

UNIT: MM	DFTG YUNLONG QIAO	DATE 18/07/13	3M APAC INNOVATION CENTRE	DIVISION ESD	STATUS RELEASED
GEN. TOLERANCES	CHKD YUNLONG QIAO	DATE 18/07/13		MODEL	
LINEAR .0 = ± 0.20 .00 = ± 0.15 .000 = ± 0.05	APPVL SAUJIT BANDHU	DATE 18/07/13	TITLE AOC, QSFP-QSFP, QDR/FDR, 4CH OPTICAL CABLE		
ANGLE ±1°	THIS DOCUMENT CONTAINS INFORMATION WHICH IS PROPRIETARY TO 3M COMPANY. NO REPRODUCTION OR PUBLICATION OF THIS DOCUMENT, IN WHOLE OR IN PART, SHALL BE MADE WITHOUT AUTHORIZATION FROM 3M. ©3M 2014. ALL RIGHTS RESERVED.		SIZE A3	DRAWING NO. 78-5100-2442-1	REV D
PROJECTION	INTERPRET PER ASME Y14.5M-1994	CRITICAL DIMENSION: ▲		SCALE : NTS	DET LIST <input type="checkbox"/> YES <input type="checkbox"/> NO
			SHT 1 of 1		

Mouser Electronics

Authorized Distributor

Click to View Pricing, Inventory, Delivery & Lifecycle Information:

[3M:](#)

[6A22-D0421-015.0-0](#) [6A22-D0421-050.0-0](#) [6A22-D0421-024.0-0](#) [6A22-D0421-016.0-0](#) [6A22-D0421-019.0-0](#) [6A22-D0421-045.0-0](#) [6A22-D0421-007.0-0](#) [6A22-D0421-017.0-0](#) [6A22-D0421-013.0-0](#) [6A22-D0421-028.0-0](#) [6A22-D0421-018.0-0](#) [6A22-D0421-080.0-0](#) [6A22-D0421-008.0-0](#) [6A22-D0421-002.0-0](#) [6A22-D0421-040.0-0](#) [6A22-D0421-023.0-0](#) [6A22-D0421-001.0-0](#) [6A22-D0421-025.0-0](#) [6A22-D0421-011.0-0](#) [6A22-D0421-009.0-0](#) [6A22-D0421-012.0-0](#) [6A22-D0421-004.0-0](#) [6A22-D0421-029.0-0](#) [6A22-D0421-100.0-0](#) [6A22-D0421-021.0-0](#) [6A22-D0421-070.0-0](#) [6A22-D0421-027.0-0](#) [6A22-D0421-026.0-0](#) [6A22-D0421-022.0-0](#) [6A22-D0421-005.0-0](#) [6A22-D0421-035.0-0](#) [6A22-D0421-020.0-0](#) [6A22-D0421-006.0-0](#) [6A22-D0421-030.0-0](#) [6A22-D0421-014.0-0](#) [6A22-D0421-090.0-0](#) [6A22-D0421-060.0-0](#)