

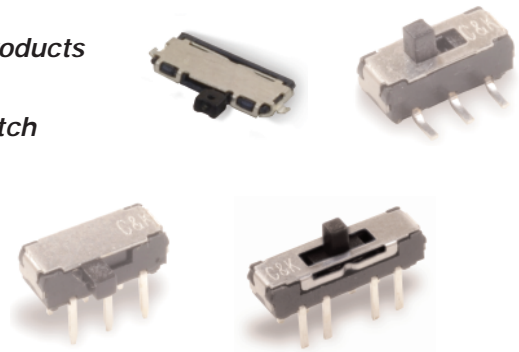
JS Series Sub-Miniature Slide Switches

Features/Benefits

- Positive detent
- Low profile
- IR reflow to 260° solder profile
- Surface and thru hole mounting
- SPDT, DPDT, DP3T models
- RoHS compliant

Typical Applications

- Telecommunication products
- Computer peripherals
- Thermostat select switch
- Instrumentations



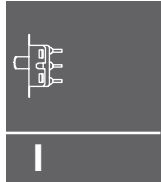
Specifications

CONTACT RATING: 6 VDC @ 0.3A
 ELECTRICAL LIFE: 5,000 make-and-break cycles
 CONTACT RESISTANCE: 70 m Ω max.
 INSULATION RESISTANCE: 100 M Ω min. @ 500V.
 DIELECTRIC STRENGTH: 500 VAC min. @ sea level.
 OPERATING TEMPERATURE: -40°C to +85°C
 STORAGE TEMPERATURE: -40°C to +85°C

NOTE: Specifications and materials listed above are for switches with standard options.
 For information on specific and custom switches, consult Customer Service Center.

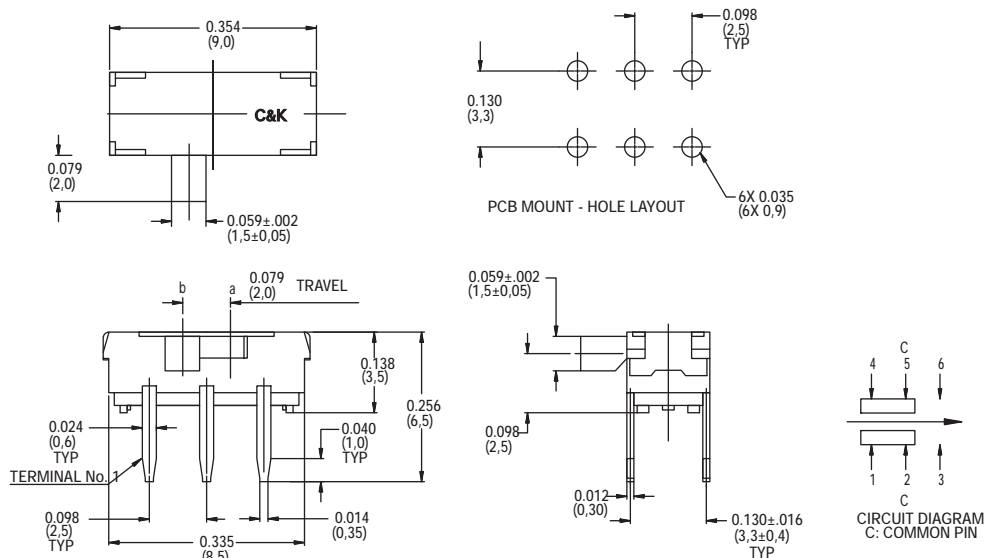
Materials

HOUSING: 4/6 nylon (UL94V-2), black.
 ACTUATOR: 4/6 nylon (UL94V-2), black (some options white).
 CONTACTS: Copper alloy, silver plated.
 TERMINALS: Brass, silver plated



Slide

RIGHT ANGLE, PC THRU-HOLE



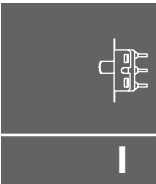
Part Number
JS202011AQN
DPDT

Shown in position b

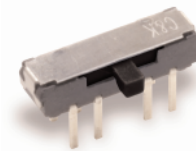
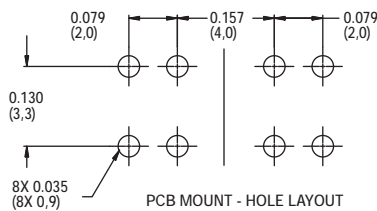
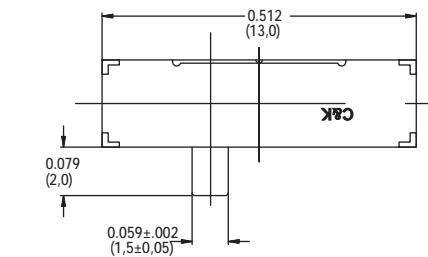
Shown in position b

JS Series Sub-Miniature Slide Switches

RIGHT ANGLE, PC THRU-HOLE

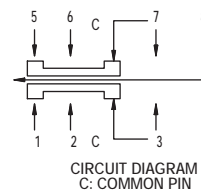
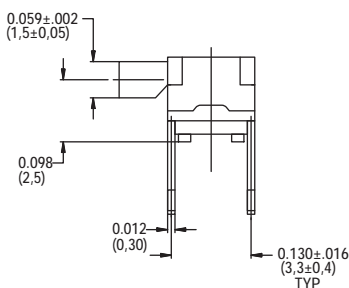
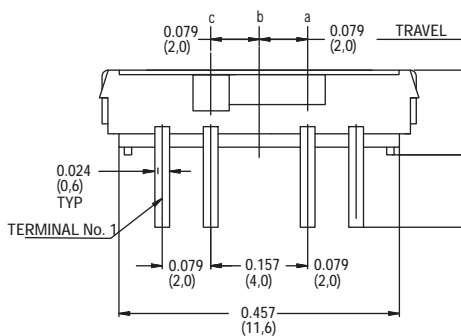


Slide



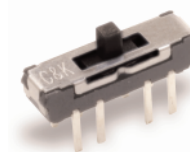
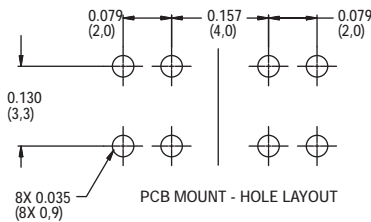
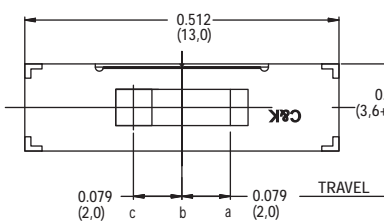
Part Number
JS203011AQN
DP3T

Shown in position b



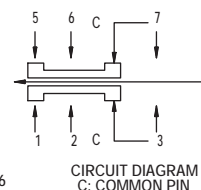
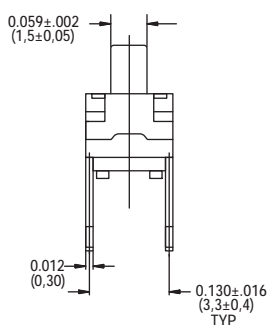
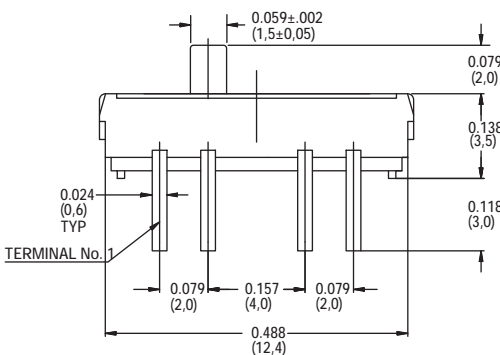
Shown in position c

PC THRU-HOLE



Part Number
JS203011CQN
DP3T

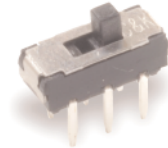
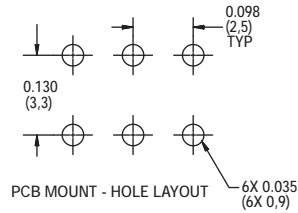
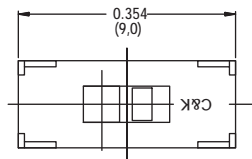
Shown in position b



Shown in position c

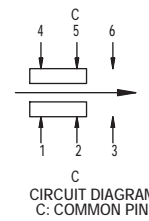
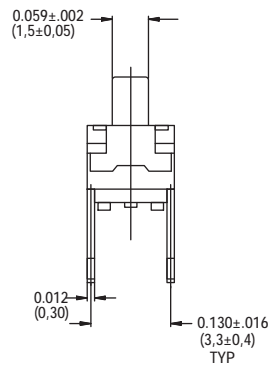
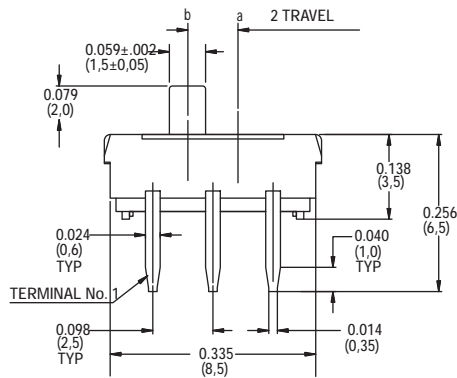
JS Series Sub-Miniature Slide Switches

PC THRU-HOLE

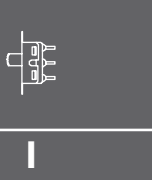


Part Number
JS202011CQN
DPDT

Shown in position a

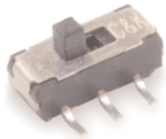


Shown in position b



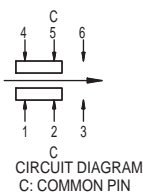
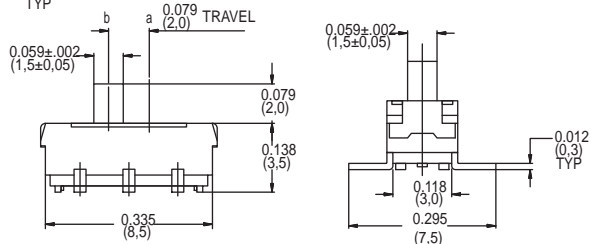
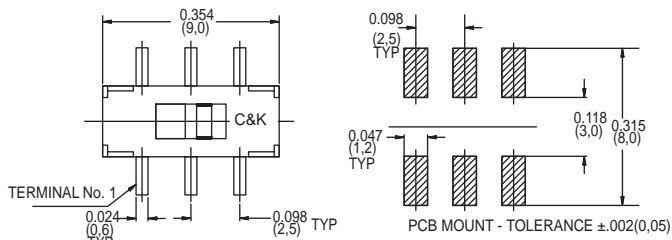
Slide

SURFACE MOUNT



Part number
JS203011SCQN
DP3T

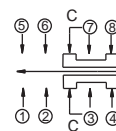
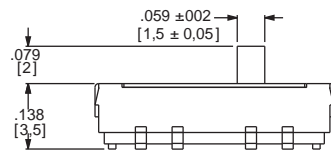
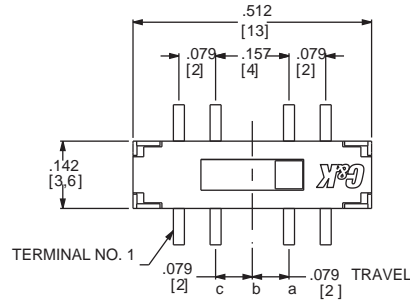
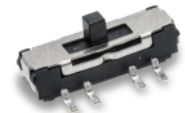
Shown in position b. Quantity per reel 1000
Available in tape & reel only, see page I-58



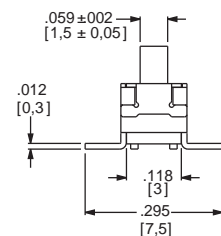
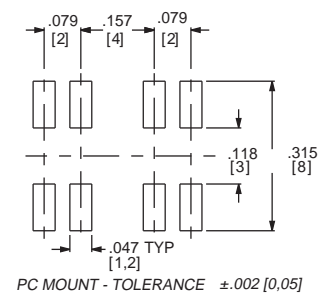
Shown in position b

Part number
JS203011SCQN
DP3T

Quantity per reel 900
Available in tape & reel only, see page I-60



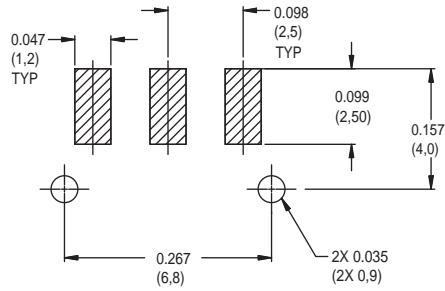
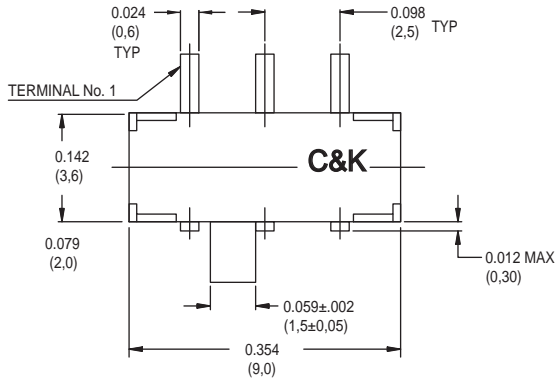
Shown in position a



Third Angle
Projection
Dimensions are shown: Inches (mm)
Specifications and dimensions subject to change

JS Series Sub-Miniature Slide Switches

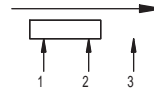
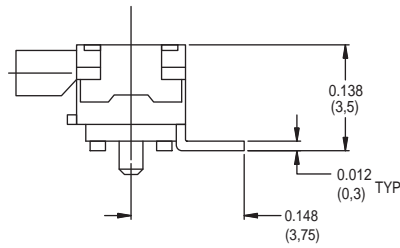
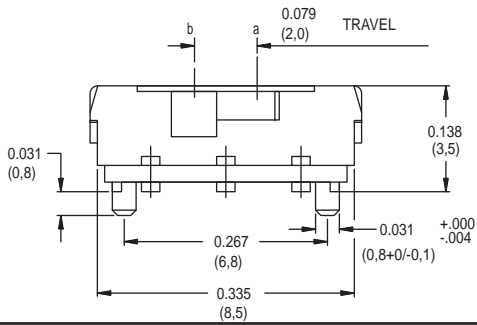
RIGHT ANGLE SURFACE MOUNT



Part Number
JS102011SAQN
SPDT

Shown in position a

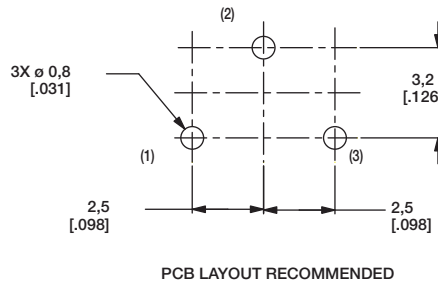
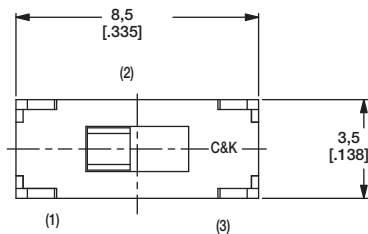
Available in tape & reel only, see page I-59



C
CIRCUIT DIAGRAM
C: COMMON PIN
Shown in position b

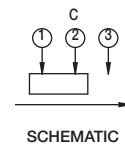
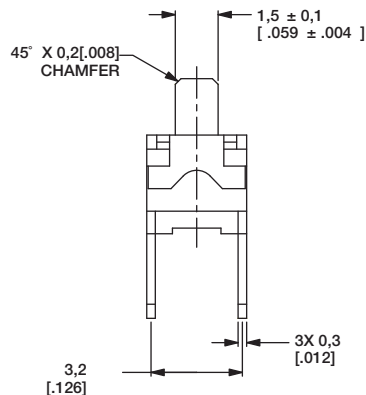
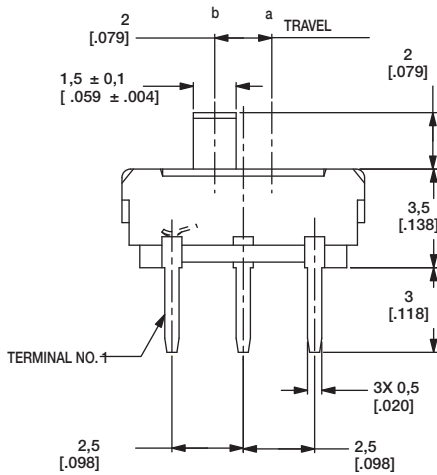
Slide

PC THRU-HOLE



Part Number
JS102011CQN
SPDT

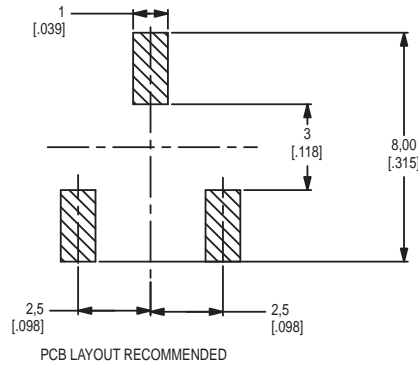
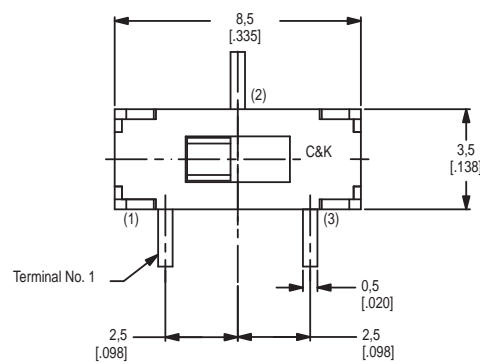
Shown in position a



Shown in position b

JS Series Sub-Miniature Slide Switches

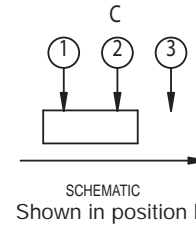
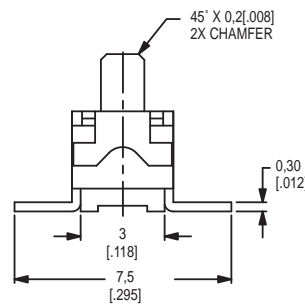
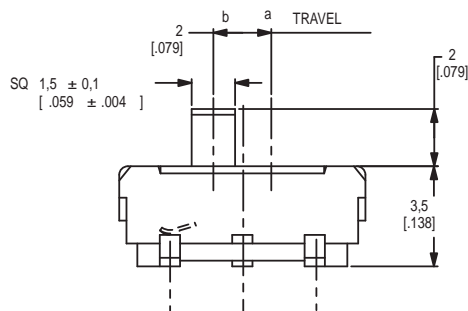
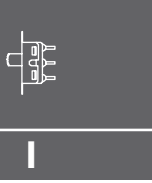
SURFACE MOUNT



Part Number
JS102011SCQN
SPDT

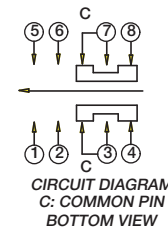
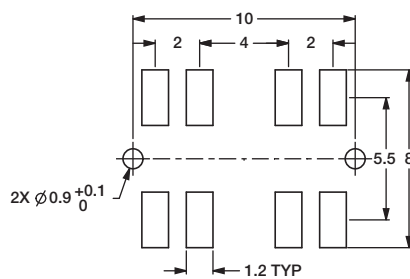
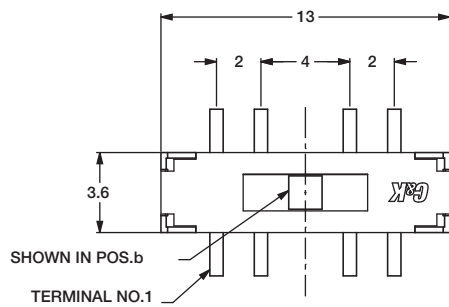
Shown in position a

Available in tape & reel
only, see page I-59



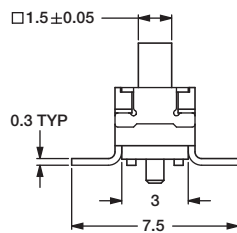
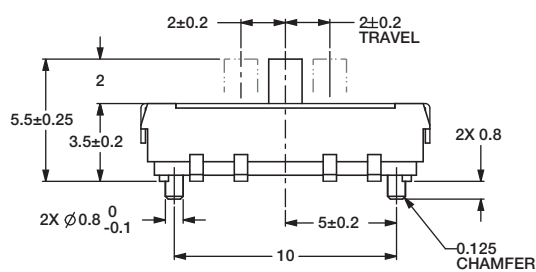
Slide

SURFACE MOUNT



Part Number
JS207011SCQNR
DP3T

Shown in position b

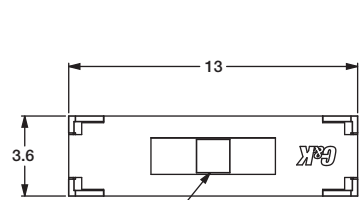


SWITCH FUNCTION		
POS.c	POS.b	POS.a
C&K	C&K	C&K
(MOM)	ON	ON
CONNECTED TERMINALS		
1-3,5-7	2-3,6-7	3-4,7-8

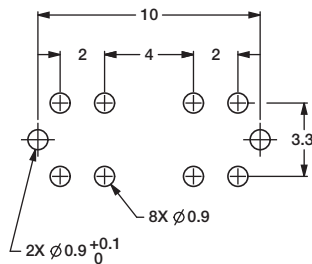
Available in tape & reel
only, see page I-58

JS Series Sub-Miniature Slide Switches

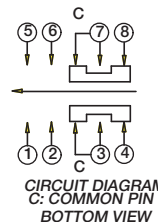
PC THRU-HOLE



SHOWN IN POS.b



PC MOUNT - TOLERANCE $\pm .05$



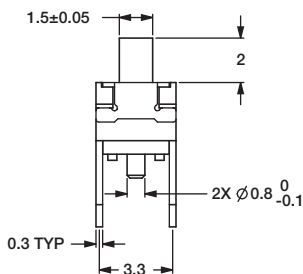
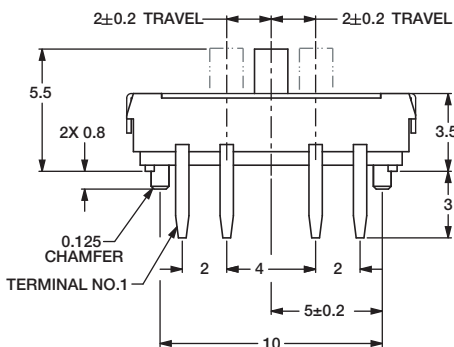
CIRCUIT DIAGRAM
C: COMMON PIN
BOTTOM VIEW

SWITCH FUNCTION		
POS.c	POS.b	POS.a
(MOM)	ON	ON
CONNECTED TERMINALS		
1-3,5-7	2-3,6-7	3-4,7-8



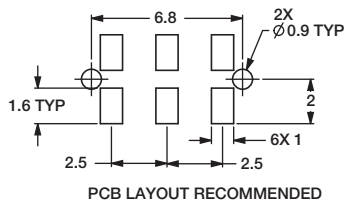
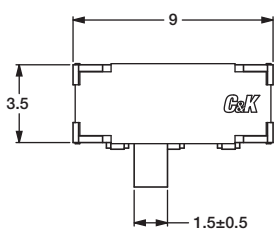
Part Number
JS207011CQNR
DP3T

Shown in position b

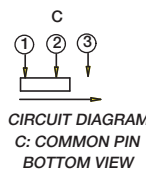


Slide

RIGHT ANGLE SURFACE MOUNT



PCB LAYOUT RECOMMENDED



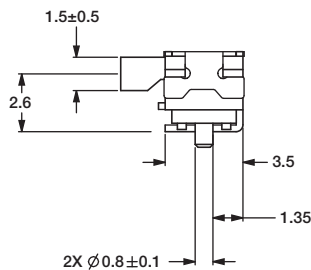
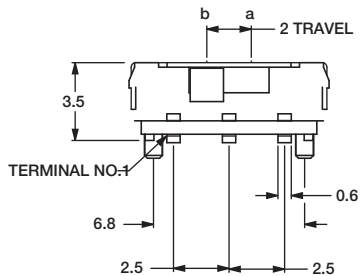
CIRCUIT DIAGRAM
C: COMMON PIN
BOTTOM VIEW



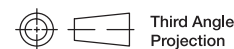
Part Number
JS102011JAQN
SPDT

Shown in position

Available in tape & reel
only, see page I-59



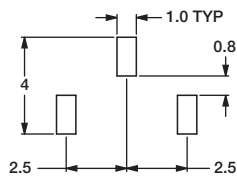
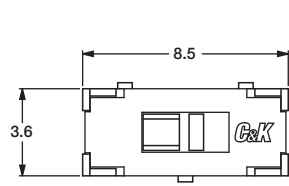
29 jun 16



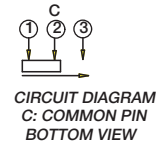
Dimensions are shown: mm
Specifications and dimensions subject to change

JS Series Sub-Miniature Slide Switches

VERTICAL MOUNT SMT - J BEND

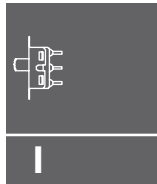


PCB LAYOUT RECOMMENDED

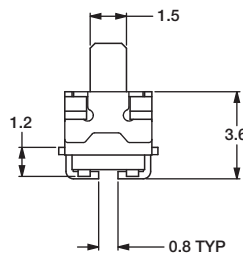
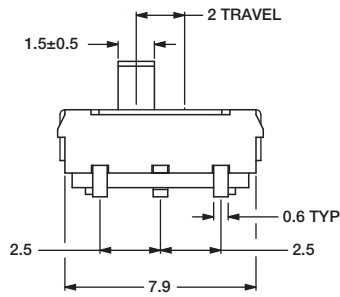


NEW
Part Number
JS102011JCON
SPDT

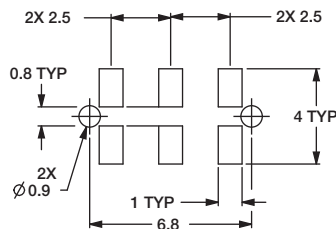
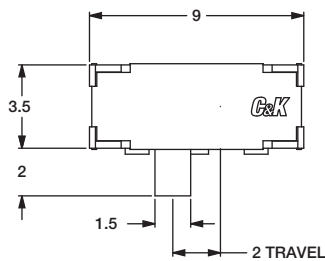
Available in tape & reel
only, see page I-59



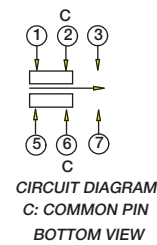
Slide



RIGHT ANGLE SURFACE MOUNT



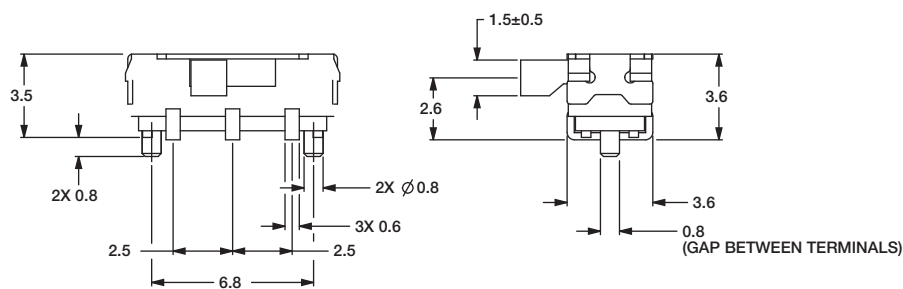
PCB LAYOUT RECOMMENDED



NEW
Part Number
JS202011JAQN
DPDT

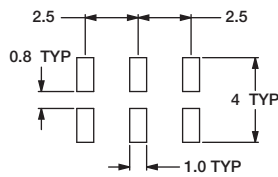
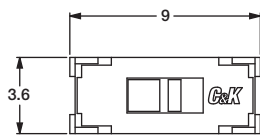
Shown in position

Available in tape & reel
only, see page I-61

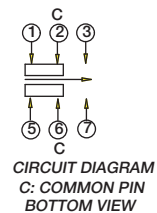


JS Series Sub-Miniature Slide Switches

VERTICAL MOUNT SMT - J BEND



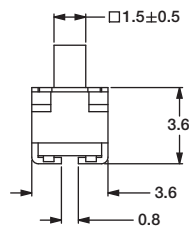
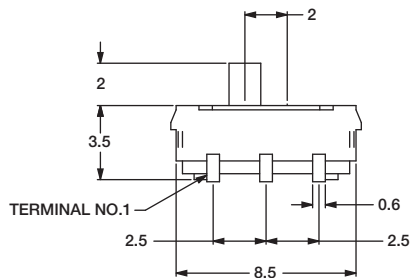
PCB LAYOUT RECOMMENDED



NEW

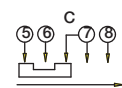
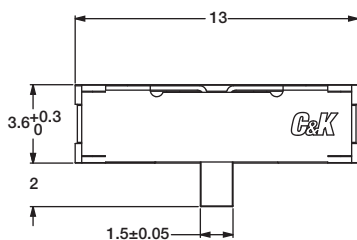
Part Number
JS202011JCQN
DPDT

Shown in position
Available in tape & reel
only, see page I-61



Slide

RIGHT ANGLE MOUNT SMT - J BEND



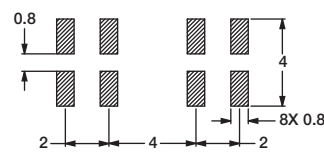
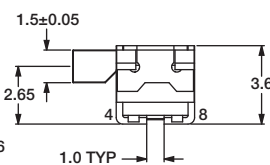
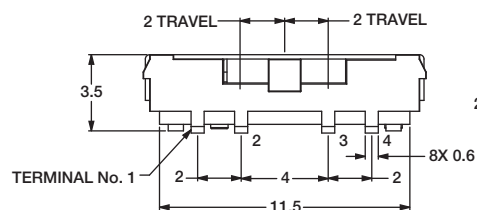
SCHEMATIC
C: COMMON PIN



NEW

Part Number
JS203011JAQN
DP3T

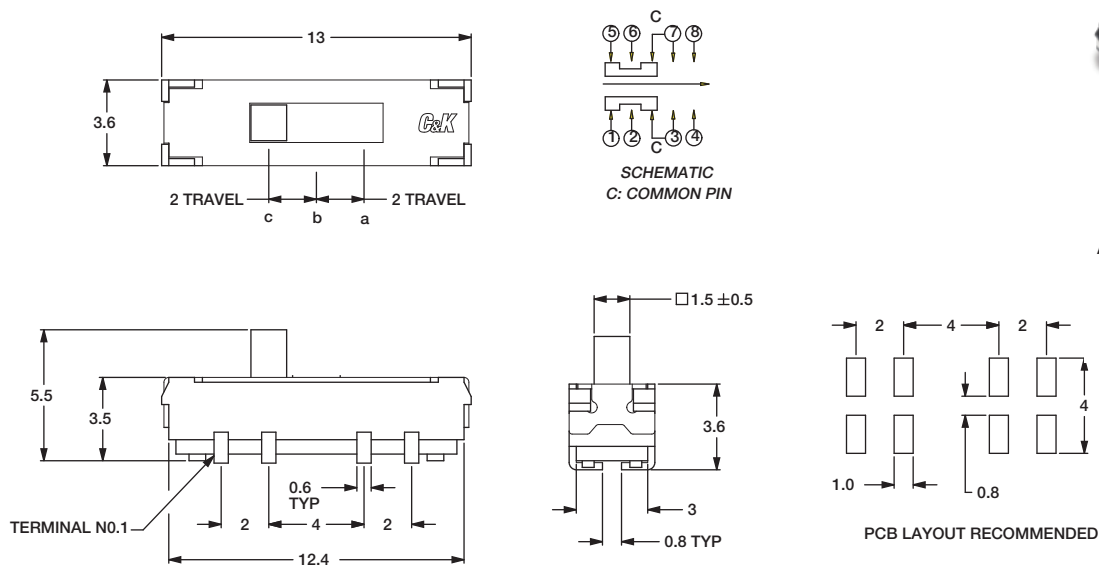
Shown in position
Available in tape & reel
only, see page I-60



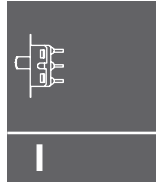
PCB LAYOUT RECOMMENDED

JS Series Sub-Miniature Slide Switches

VERTICAL MOUNT SMT - J BEND

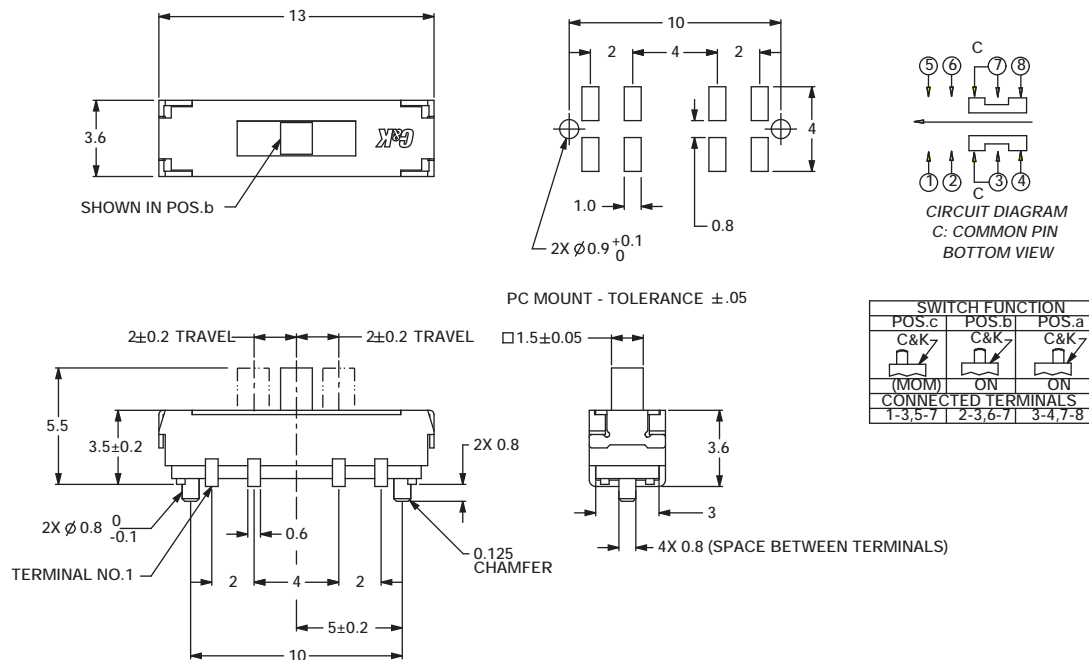


NEW



Slide

SURFACE MOUNT - J BEND



NEW

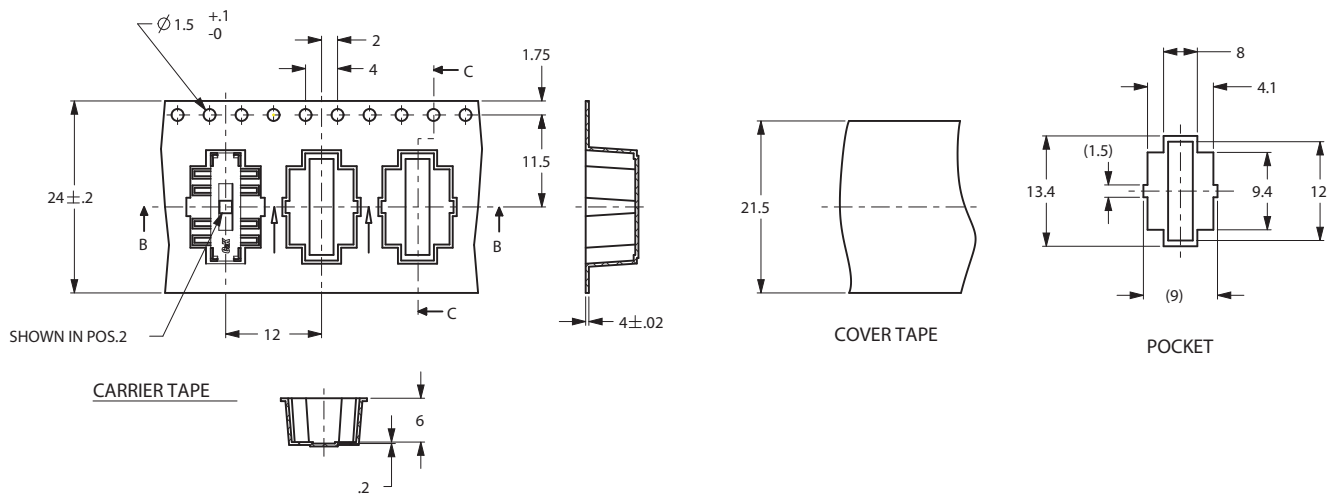
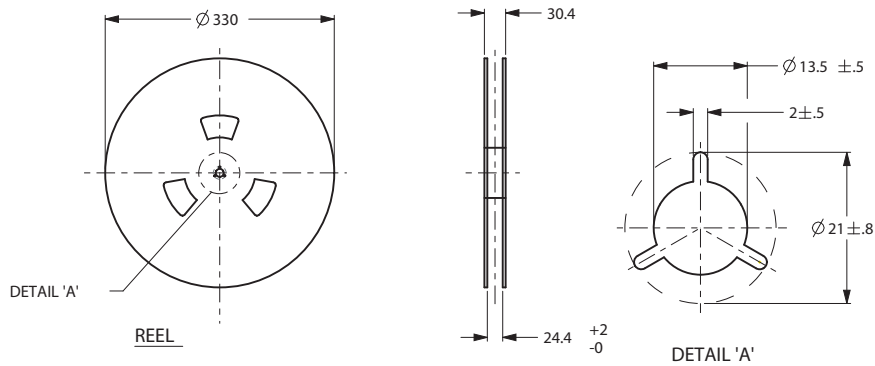


JS Series Sub-Miniature Slide Switches

TAPE AND REEL FOR PART NUMBER JS207011SCQNR, JS207011JCQNR

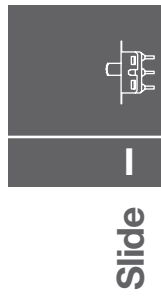
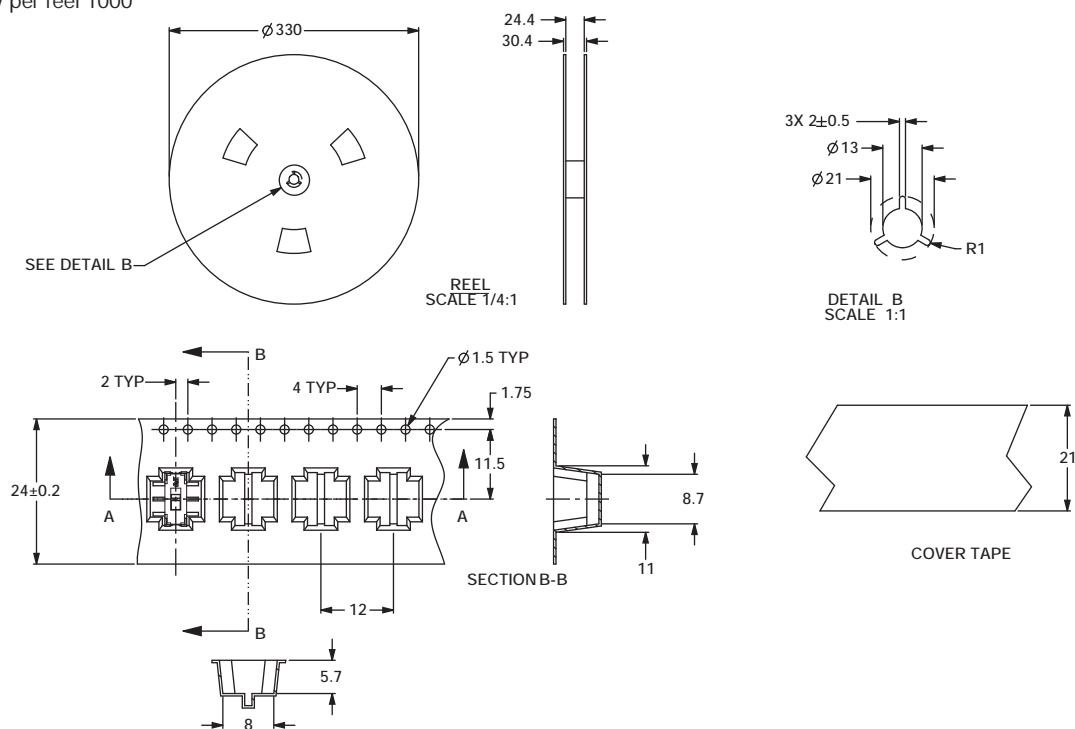
Quantity per reel 800

PACKING DETAIL 800 PCS



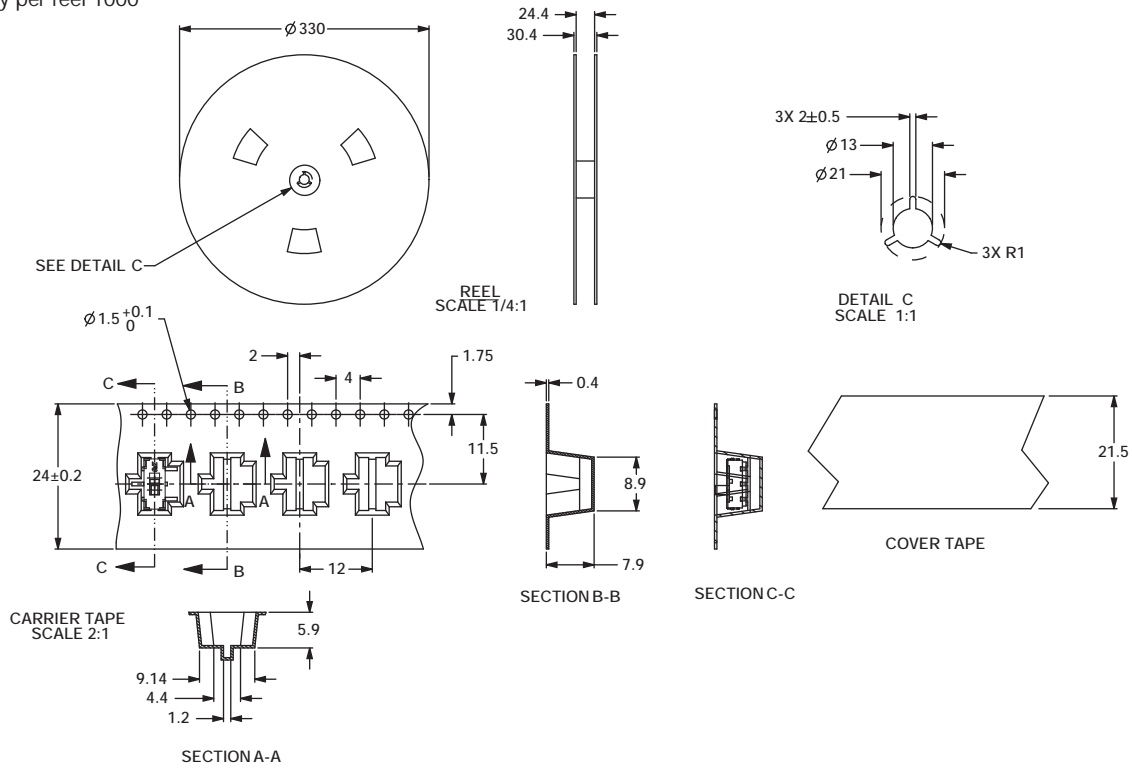
TAPE AND REEL FOR PART NUMBER JS202011SCQN

Quantity per reel 1000



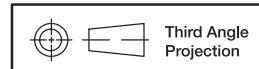
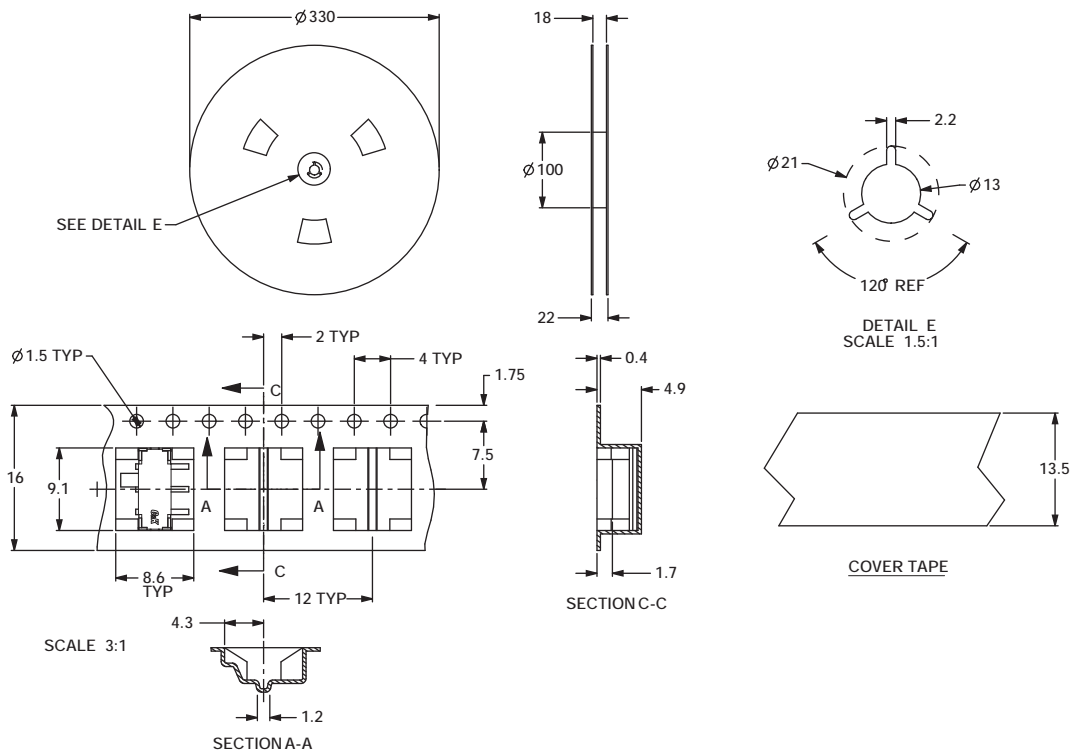
JS Series Sub-Miniature Slide Switches

TAPE AND REEL FOR
PART NUMBER JS102011SCQN, JS102011JCQN
Quantity per reel 1000

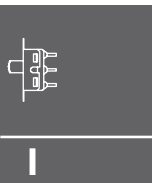


TAPE AND REEL FOR PART NUMBER JS102011SAQN, JS102011JAQN

Quantity per reel 1000



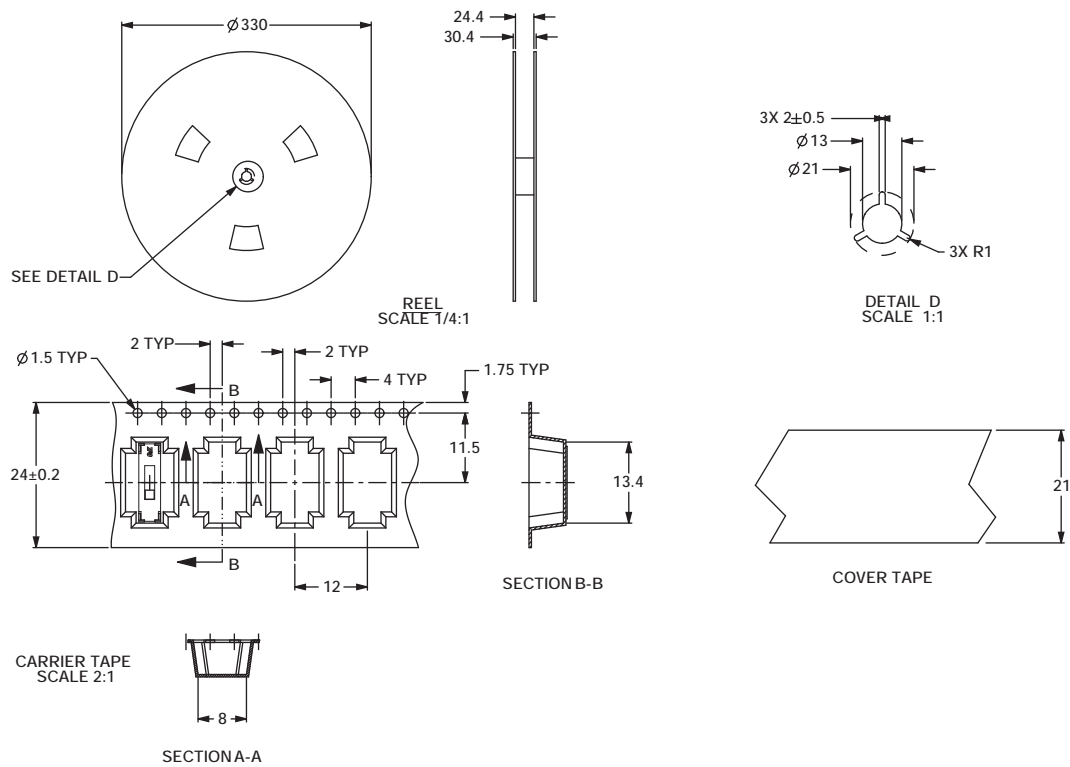
Dimensions are shown: mm
Specifications and dimensions subject to change



Slide

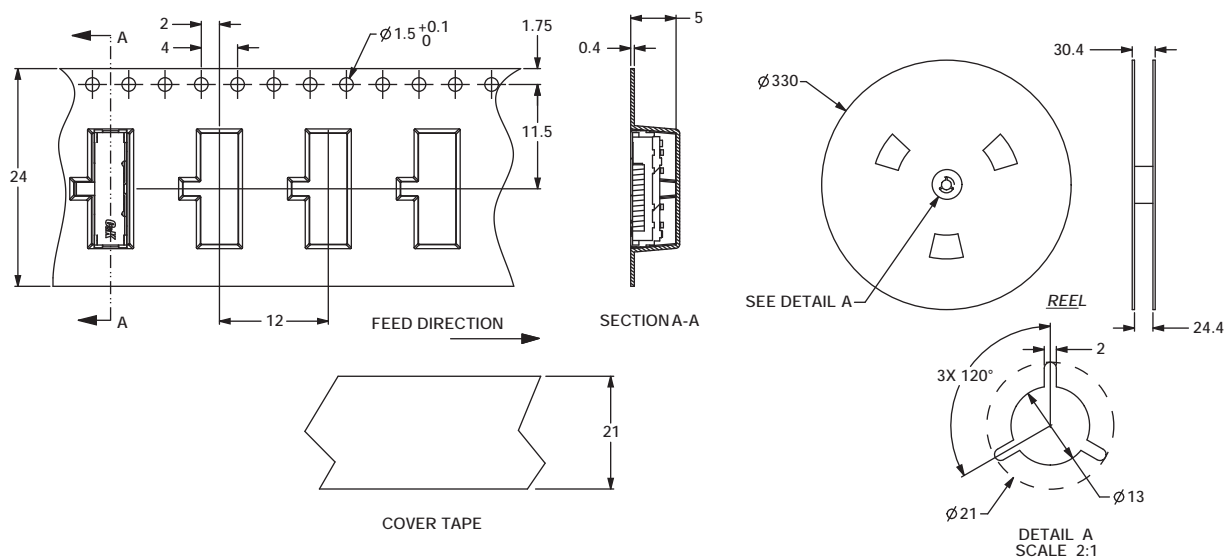
JS Series Sub-Miniature Slide Switches

TAPE AND REEL FOR PART NUMBER JS203011SCQN, JS203011JCQN
Quantity per reel 900



TAPE AND REEL FOR PART NUMBER JS203011JAQN

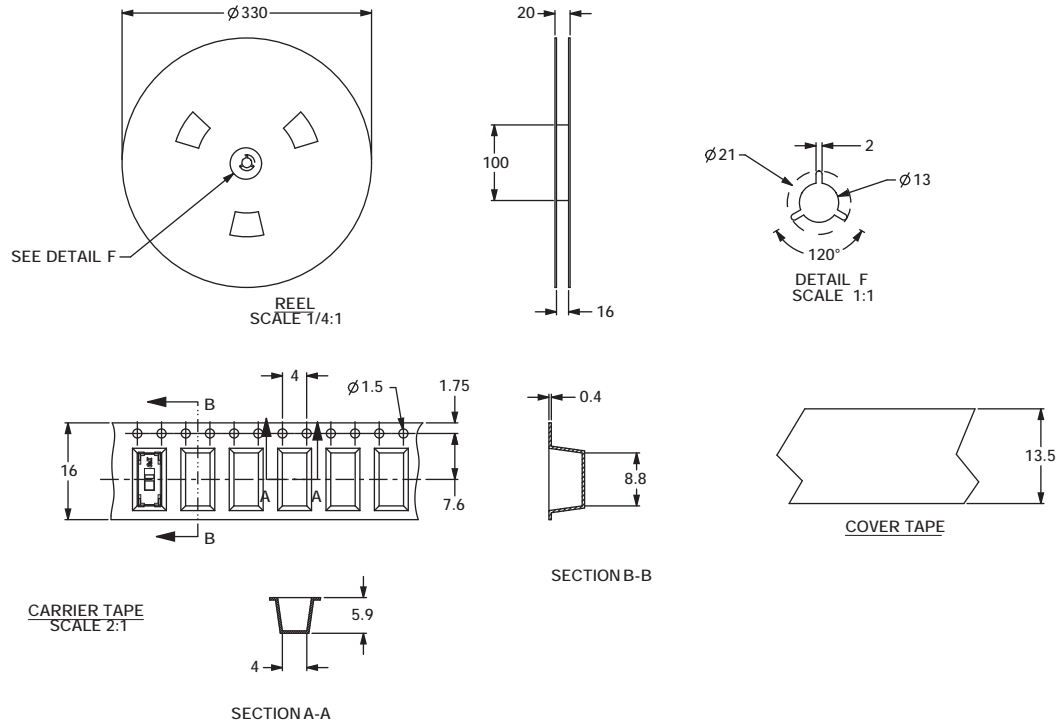
Quantity per reel 1000



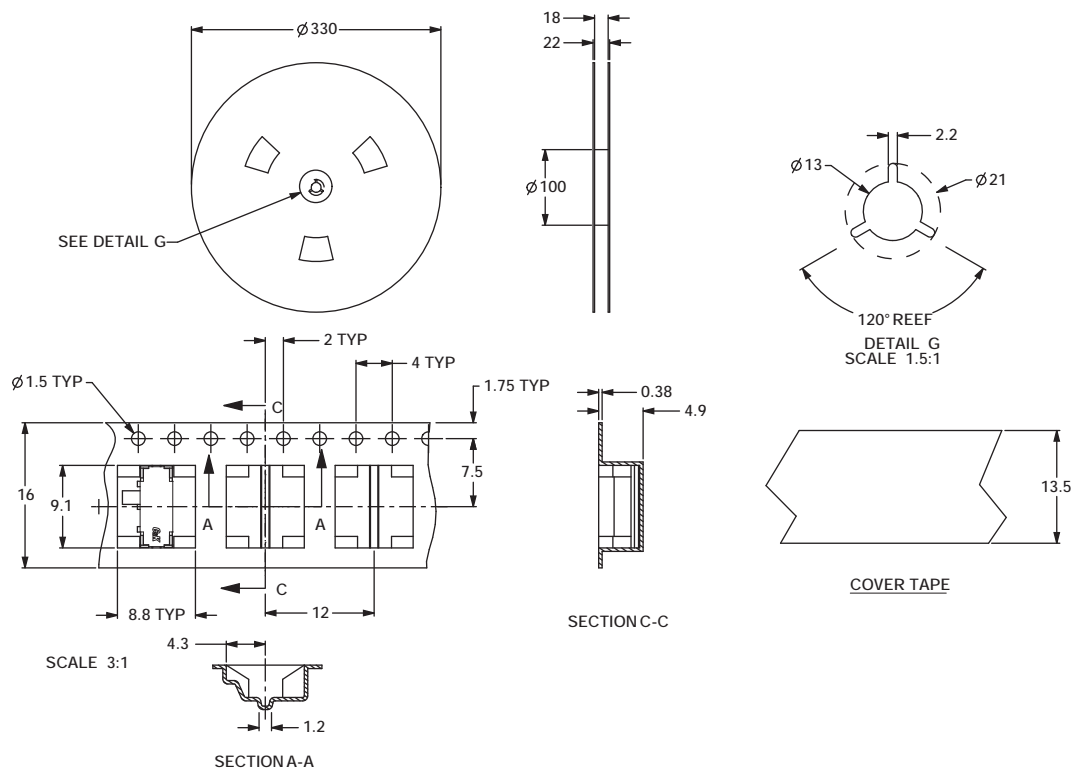
Dimensions are shown: mm
Specifications and dimensions subject to change

JS Series Sub-Miniature Slide Switches

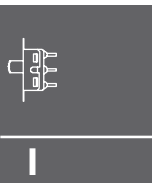
TAPE AND REEL FOR
PART NUMBER JS202011JCQN
Quantity per reel 1300



TAPE AND REEL FOR PART NUMBER JS202011JAQN
Quantity per reel 1000



Dimensions are shown: mm
Specifications and dimensions subject to change



Slide

JS Series Sub-Miniature Slide Switches

RIGHT ANGLE SURFACE MOUNT
LOW PROFILE .028±.004 (0.7±0.1) HIGH

Specifications

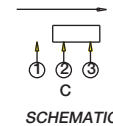
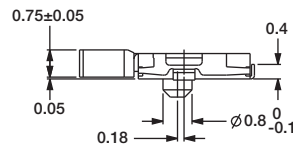
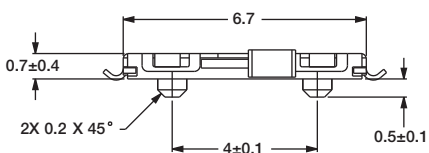
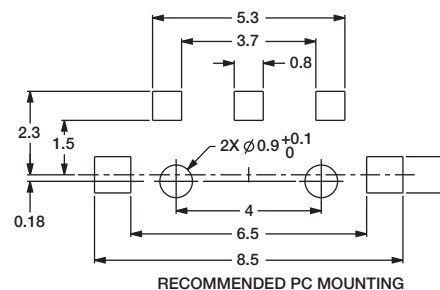
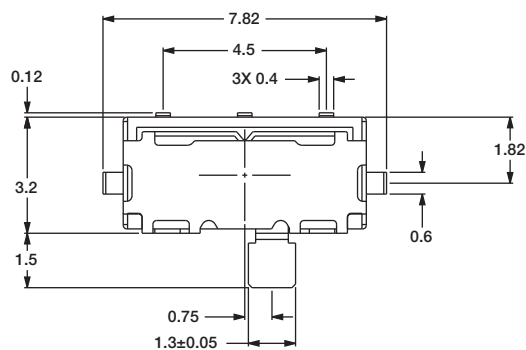
CONTACT RATING: 5 VDC @ 1MA
ELECTRICAL LIFE: 15,000 cycles.
CONTACT RESISTANCE: <100 m ohms (initial) <200 m ohms (after processing).
INSULATION RESISTANCE: 100 m ohms @500 VDC.
DIELECTRIC STRENGTH: 250 VAC.
OPERATING TEMPERATURE: -40°C to +85°C



Part Number
JS102000SAQN
SPDT

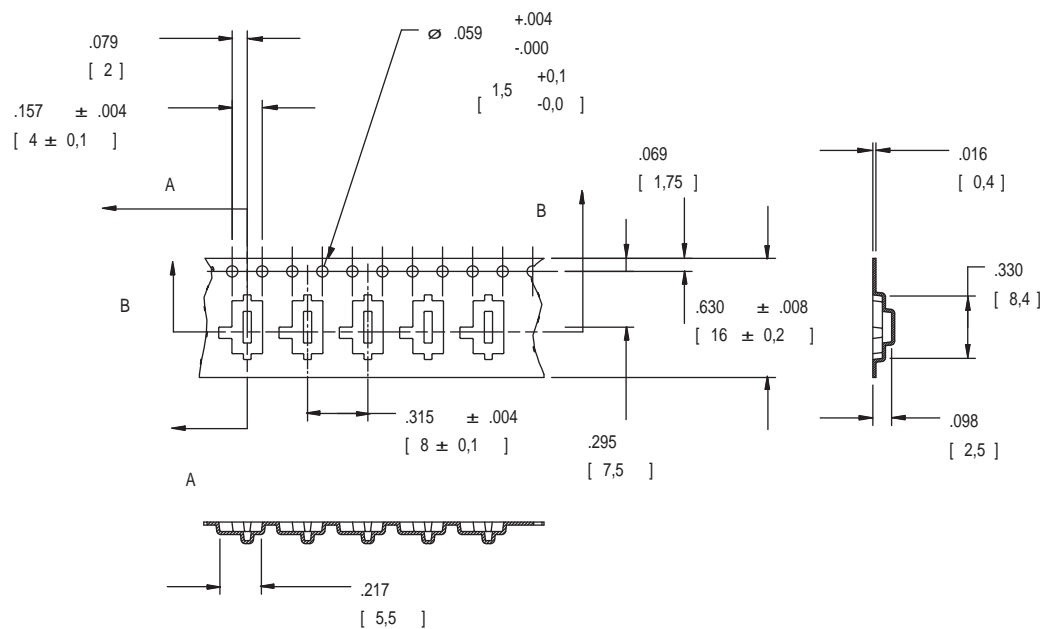


Slide



TAPE AND REEL FOR PART NUMBER JS102000SAQN

Quantity per reel 4000



Mouser Electronics

Authorized Distributor

Click to View Pricing, Inventory, Delivery & Lifecycle Information:

C&K Switches:

[JS102000SAQN](#) [JS202011CQN](#) [JS202011SCQN](#) [JS203011AQN](#) [JS203011CQN](#) [JS207011SCQNR](#)
[JS207011CQNR](#) [JS102011JAQN](#) [JS202011JAQN](#) [JS203011JCQN](#) [JS102011JCQN](#) [JS207011JCQNR](#)
[JS203011JAQN](#) [JS202011JCQN](#)