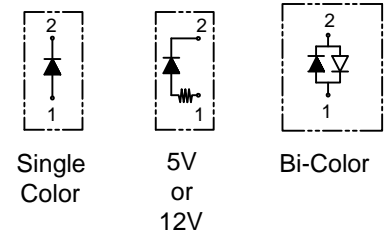
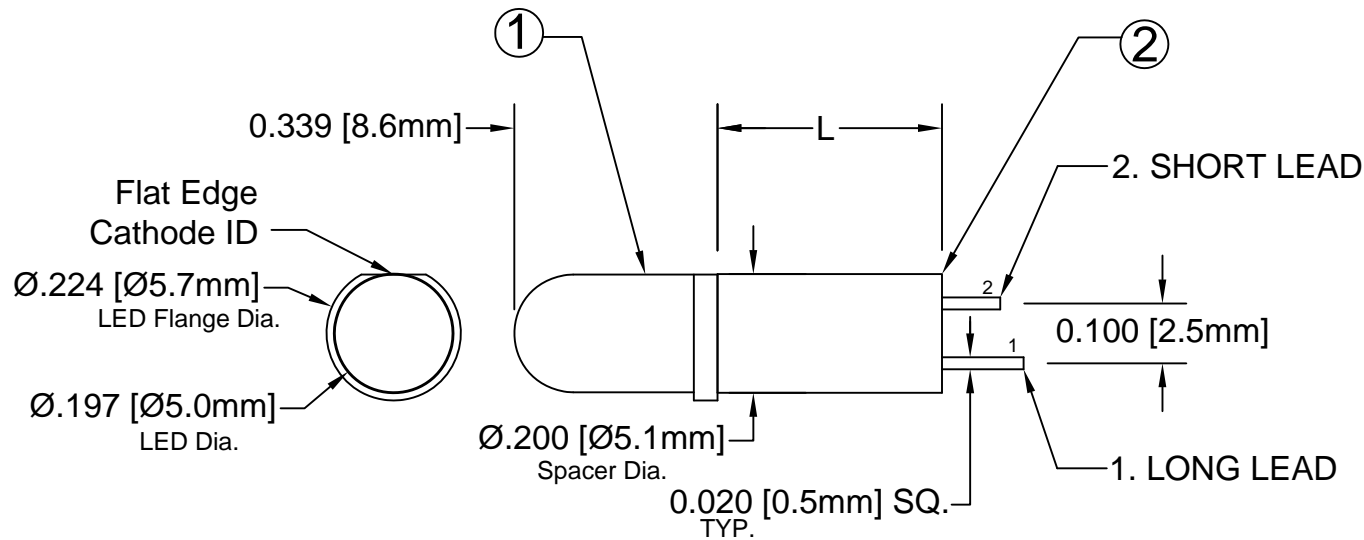


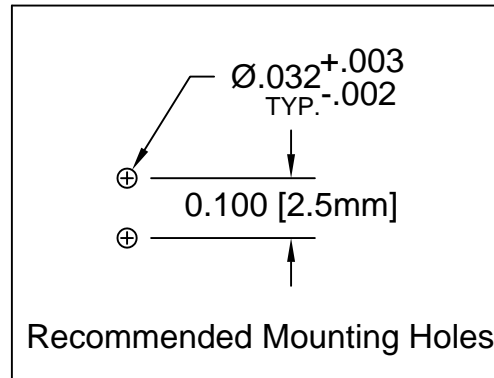
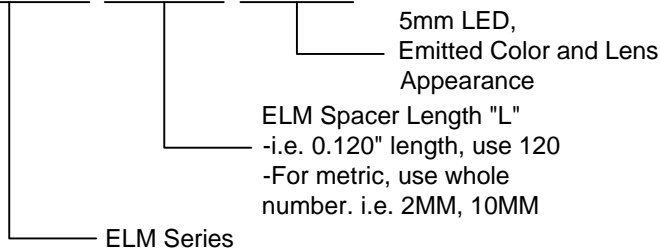
| ITEM | Q'TY | PART NUMBER | PART DESCRIPTION                         |
|------|------|-------------|--|
| 1    | 1    | 5XX-F       | T-1¼ (5mm) Flanged LED, See Pages 2 to 4 |
| 2    | 1    | ELM 1-XXX   | Extruded, Self-Retaining LED Spacer      |

| REV. | DESCRIPTION                                | DATE     | APPROVED |
|------|--|----------|----------|
| M    | LED Offering List Update                   | 07/26/12 | T. Y.    |
| N    | Removed LED Duplication From Offering List | 11/09/12 | T. Y.    |
| P    | Corrected P/N Typo in BOM                  | 09/20/13 | T. Y.    |
| R    | Updated LED Optical Characteristics        | 09/12/15 | J. C.    |
| T    | Corrected P/N Typo in Sheet#3 & #4         | 07/27/17 | J. C.    |



| BI-COLOR POLARITY |             |             |
|-------------------|-------------|-------------|
| LED P/N           | (1) Cathode | (2) Cathode |
| 5BC-F             | Green       | Red         |
| 5BC-Y/G-F         | Green       | Yellow      |
| 5BC-R/Y-F         | Yellow      | Red         |
| 5BC-A/G-F         | Green       | Amber       |

**ELM 1 XXX 5 XX**




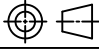
### ABSOLUTE MAXIMUM RATINGS (Ta=25°C)

|  |                      |
|--|----------------------|
| REVERSE VOLTAGE                              | 5V                   |
| REVERSE CURRENT                              | 100µA                |
| OPERATING TEMPERATURE RANGE                  | -25° C - 85° C       |
| STORAGE TEMPERATURE                          | -30° C - 100° C      |
| LEAD SOLDERING TEMPERATURE (1/16" FROM BODY) | 260° C FOR 5 SECONDS |

|   |                |  |                            |
|---|----------------|--|----------------------------|
| STANDARD TOLERANCE (UNLESS OTHERWISE SPECIFIED) |                | <br>4 THOMAS, IRVINE, CA. 92618<br>TEL: (949) 951-8808 FAX: (949) 951-3974 |                            |
| DECIMALS  | ANGULAR        |  |                            |
| .X ± .1   | X° ± 1°        |  |                            |
| .XX ± .02                                       |                | <br><b>TITLE:</b> EXTRUDED VERTICAL T-1¼ (5mm) LED NARROW PROFILE ASSY     |                            |
| .XXX ± .010                                     |                |  | <b>PART NO:</b> ELM1XXX5XX |
| DESIGNED: M. Doan                               | DATE: 07/26/12 | REVISION: T  |                            |
| CHECKED: T. Yin                                 | DATE: 07/26/12 | <b>CAGE CODE :</b> 32559 <b>SHEET # 1 OF 5</b>                             |                            |
| CAD GENERATED DOCUMENT. DO NOT MEASURE DRAWING. |                |  |                            |


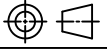
|      |              |      |          |
|------|--------------|------|----------|
| REV. | DESCRIPTION  | DATE | APPROVED |
|      | SEE SHEET #1 |      |          |

| LED Assy. No.  | Chip      |                             |               | Lens Appearance | Electro-Optical Data @ 20mA |           |     |             | Viewing Angle<br>2 θ ½<br>(Deg) | LED P/N   |     |
|----------------|-----------|-----------------------------|---------------|-----------------|-----------------------------|-----------|-----|-------------|---------------------------------|-----------|-----|
|                | Material  | Peak Wave Length<br>λp (nm) | Emitted Color |                 | If<br>(mA)                  | Vf<br>(V) |     | Iv<br>(mcd) |                                 |           |     |
|                |           |                             |               |                 |                             | MAX       | TYP | MAX         |                                 |           | TYP |
| ELM1XXX5BWC    | GaN/SiC   | 430                         | BLUE          | WATER CLEAR     | 25                          | 4         | 4.5 | 25          | 20                              | 5BWC-F    |     |
| ELM1XXX5BWD    | GaN/SiC   | 430                         | BLUE          | DIFFUSED        | 25                          | 4         | 4.5 | 15          | 45                              | 5BWD-F    |     |
| ELM1XXX5BWT    | GaN/SiC   | 430                         | BLUE          | TINTED          | 25                          | 4         | 4.5 | 30          | 20                              | 5BWT-F    |     |
| ELM1XXX5GC     | GaP/GaP   | 568                         | GREEN         | WATER CLEAR     | 30                          | 2.1       | 2.8 | 40          | 35                              | 5GC-F     |     |
| ELM1XXX5GD     | GaP/GaP   | 568                         | GREEN         | DIFFUSED        | 30                          | 2.1       | 2.8 | 25          | 45                              | 5GD-F     |     |
| ELM1XXX5GT     | GaP/GaP   | 568                         | GREEN         | TINTED          | 30                          | 2.1       | 2.8 | 40          | 35                              | 5GT-F     |     |
| ELM1XXX5PGC    | GaP/GaP   | 555                         | PURE GREEN    | WATER CLEAR     | 30                          | 2.2       | 2.8 | 10          | 35                              | 5PGC-F    |     |
| ELM1XXX5PGD    | GaP/GaP   | 555                         | PURE GREEN    | DIFFUSED        | 30                          | 2.2       | 2.8 | 10          | 45                              | 5PGD-F    |     |
| ELM1XXX5PGT    | GaP/GaP   | 555                         | PURE GREEN    | TINTED          | 30                          | 2.2       | 2.8 | 10          | 35                              | 5PGT-F    |     |
| ELM1XXX5YC     | GaAsP/GaP | 590                         | YELLOW        | WATER CLEAR     | 30                          | 2         | 2.8 | 40          | 35                              | 5YC-F     |     |
| ELM1XXX5YD     | GaAsP/GaP | 590                         | YELLOW        | DIFFUSED        | 30                          | 2         | 2.8 | 25          | 45                              | 5YD-F     |     |
| ELM1XXX5YT     | GaAsP/GaP | 590                         | YELLOW        | TINTED          | 30                          | 2         | 2.8 | 40          | 35                              | 5YT-F     |     |
| ELM1XXX5AC     | GaAsP/GaP | 605                         | AMBER         | WATER CLEAR     | 30                          | 2         | 2.8 | 40          | 35                              | 5AC-F     |     |
| ELM1XXX5AD     | GaAsP/GaP | 605                         | AMBER         | DIFFUSED        | 30                          | 2         | 2.8 | 25          | 45                              | 5AD-F     |     |
| ELM1XXX5AT     | GaAsP/GaP | 605                         | AMBER         | TINTED          | 30                          | 2         | 2.8 | 40          | 35                              | 5AT-F     |     |
| ELM1XXX5HC     | GaAsP/GaP | 625                         | HE RED        | WATER CLEAR     | 30                          | 2         | 2.8 | 40          | 35                              | 5HC-F     |     |
| ELM1XXX5HD     | GaAsP/GaP | 625                         | HE RED        | DIFFUSED        | 30                          | 2         | 2.8 | 25          | 45                              | 5HD-F     |     |
| ELM1XXX5HT     | GaAsP/GaP | 625                         | HE RED        | TINTED          | 30                          | 2         | 2.8 | 40          | 35                              | 5HT-F     |     |
| ELM1XXX5RC     | GaP/GaP   | 700                         | RED           | WATER CLEAR     | 20                          | 2.1       | 2.8 | 2           | 35                              | 5RC-F     |     |
| ELM1XXX5RD     | GaP/GaP   | 700                         | RED           | DIFFUSED        | 20                          | 2.1       | 2.8 | 2           | 45                              | 5RD-F     |     |
| ELM1XXX5RT     | GaP/GaP   | 700                         | RED           | TINTED          | 20                          | 2.1       | 2.8 | 2           | 35                              | 5RT-F     |     |
| ELM1XXX5BC-A/G | GaAsP/GaP | 605                         | AMBER         | WHITE DIFFUSED  | 30                          | 2.0       | 2.8 | 6           | 45                              | 5BC-A/G-F |     |
|                | GaP/GaP   | 568                         | GREEN         |                 | 30                          | 2.1       | 2.8 | 6           |                                 |           |     |
| ELM1XXX5BC     | GaAsP/GaP | 625                         | RED           | WHITE DIFFUSED  | 30                          | 2.0       | 2.8 | 6           | 45                              | 5BC-F     |     |
|                | GaP/GaP   | 568                         | GREEN         |                 | 30                          | 2.1       | 2.8 | 8           |                                 |           |     |
| ELM1XXX5BC-R/Y | GaAsP/GaP | 625                         | RED           | WHITE DIFFUSED  | 30                          | 2.0       | 2.8 | 6           | 45                              | 5BC-R/Y-F |     |
|                | GaAsP/GaP | 590                         | YELLOW        |                 | 30                          | 2.0       | 2.8 | 5           |                                 |           |     |
| ELM1XXX5BC-Y/G | GaAsP/GaP | 590                         | YELLOW        | WHITE DIFFUSED  | 30                          | 2.0       | 2.8 | 5           | 45                              | 5BC-Y/G-F |     |
|                | GaP/GaP   | 568                         | GREEN         |                 | 30                          | 2.1       | 2.8 | 8           |                                 |           |     |

|   |                          |  |                       |
|---|--------------------------|--|-----------------------|
| STANDARD TOLERANCE<br>( UNLESS OTHERWISE SPECIFIED )<br>±10% ALL VALUES      ANGULAR<br>X° ± 5° |                          | <br><b>BIVAR</b> ®<br>4 THOMAS, IRVINE, CA. 92618<br>TEL: (949) 951-8808    FAX: (949) 951-3974 |                       |
|            |                          |  |                       |
| DESIGNED:<br><b>M. Doan</b>   | DATE:<br><b>07/26/12</b> | <b>PART NO:</b> ELM1XXX5XX   |                       |
| CHECKED:<br><b>T. Yin</b>   | DATE:<br><b>07/26/12</b> | <b>CAGE CODE :</b> 32559   | <b>SHEET # 2 OF 5</b> |
| CAD GENERATED DOCUMENT. DO NOT MEASURE DRAWING.   |                          |  |                       |


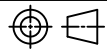
|      |              |      |          |
|------|--------------|------|----------|
| REV. | DESCRIPTION  | DATE | APPROVED |
|      | SEE SHEET #1 |      |          |

| LED Assy. No. | Chip        |                             |               | Lens Appearance | Electro-Optical Data @ 20mA |           |     |             | Viewing Angle<br>2 θ ½<br>(Deg) | LED P/N    |
|---------------|-------------|-----------------------------|---------------|-----------------|-----------------------------|-----------|-----|-------------|---------------------------------|------------|
|               | Material    | Peak Wave Length<br>λp (nm) | Emitted Color |                 | If<br>(mA)                  | Vf<br>(V) |     | Iv<br>(mcd) |                                 |            |
|               |             |                             |               |                 |                             | MAX       | TYP |             |                                 |            |
| ELM1XXX5UBWC  | InGaN/SiC   | 468                         | BLUE          | WATER CLEAR     | 50                          | 3.2       | 3.6 | 8000        | 15                              | 5BWC2.515F |
| ELM1XXX5SGC   | GaP/GaP     | 568                         | GREEN         | WATER CLEAR     | 30                          | 2.1       | 2.8 | 60          | 35                              | 5SGC-F     |
| ELM1XXX5SGD   | GaP/GaP     | 568                         | GREEN         | DIFFUSED        | 30                          | 2.1       | 2.8 | 50          | 40                              | 5SGD-F     |
| ELM1XXX5SGT   | GaP/GaP     | 568                         | GREEN         | TINTED          | 30                          | 2.1       | 2.8 | 60          | 35                              | 5SGT-F     |
| ELM1XXX5SYC   | GaAsP/GaP   | 590                         | YELLOW        | WATER CLEAR     | 30                          | 2         | 2.8 | 600         | 35                              | 5SYC-F     |
| ELM1XXX5SYD   | GaAsP/GaP   | 590                         | YELLOW        | DIFFUSED        | 30                          | 2         | 2.8 | 150         | 40                              | 5SYD-F     |
| ELM1XXX5SYT   | GaAsP/GaP   | 590                         | YELLOW        | TINTED          | 30                          | 2         | 2.8 | 600         | 35                              | 5SYT-F     |
| ELM1XXX5SRC   | GaAlAs/GaAs | 645                         | SUPER RED     | WATER CLEAR     | 30                          | 1.7       | 2.4 | 60          | 35                              | 5SRC-F     |
| ELM1XXX5SRD   | GaAlAs/GaAs | 645                         | SUPER RED     | DIFFUSED        | 30                          | 1.7       | 2.4 | 40          | 40                              | 5SRD-F     |
| ELM1XXX5SRT   | GaAlAs/GaAs | 645                         | SUPER RED     | TINTED          | 30                          | 1.7       | 2.4 | 60          | 35                              | 5SRT-F     |
| ELM1XXX5UGC   | AlGaInP     | 570                         | GREEN         | WATER CLEAR     | 30                          | 2.1       | 2.4 | 400         | 35                              | 5UGC-F     |
| ELM1XXX5SUGC  | AlGaInP     | 570                         | GREEN         | WATER CLEAR     | 30                          | 2.1       | 2.4 | 300         | 35                              | 5SUGC-F    |
| ELM1XXX5UYC   | AlGaInP     | 590                         | YELLOW        | WATER CLEAR     | 30                          | 2         | 2.4 | 1000        | 30                              | 5UYC-F     |
| ELM1XXX5SUYC  | AlGaInP     | 590                         | YELLOW        | WATER CLEAR     | 30                          | 2         | 2.4 | 700         | 35                              | 5SUYC-F    |
| ELM1XXX5UUYC  | AlGaInP     | 590                         | YELLOW        | WATER CLEAR     | 30                          | 2         | 2.4 | 500         | 35                              | 5UUYC-F    |
| ELM1XXX5UOC   | AlGaInP     | 625                         | ORANGE        | WATER CLEAR     | 30                          | 1.8       | 2.4 | 1400        | 35                              | 5UOC-F     |
| ELM1XXX5UOC   | AlGaInP     | 625                         | ORANGE        | WATER CLEAR     | 30                          | 1.8       | 2.4 | 1300        | 35                              | 5SUOC-F    |
| ELM1XXX5URC   | GaAlAs/GaAs | 645                         | RED           | WATER CLEAR     | 30                          | 1.7       | 2.4 | 400         | 30                              | 5URC-F     |
| ELM1XXX5SURC  | AlGaInP     | 640                         | RED           | WATER CLEAR     | 30                          | 1.8       | 2.4 | 500         | 35                              | 5SURC-F    |
| ELM1XXX5UWC   | InGaN/SiC   | 6500K                       | WHITE         | WATER CLEAR     | 100                         | 3.5       | 4.2 | 2700        | 30                              | 5WC2.730F  |

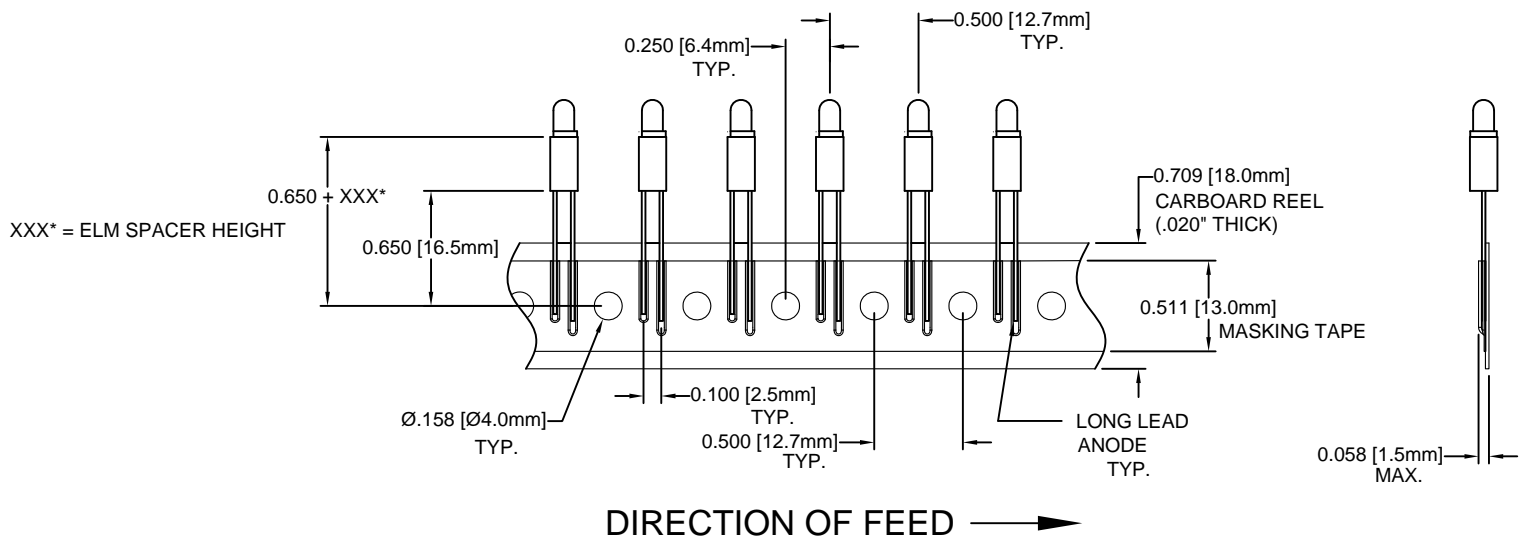
|  |  |  |                                     |
|--|--|--|-------------------------------------|
| STANDARD TOLERANCE<br>( UNLESS OTHERWISE SPECIFIED )<br>±10% ALL VALUES <u>ANGULAR</u> |  | <br>4 THOMAS, IRVINE, CA. 92618<br>TEL: (949) 951-8808    FAX: (949) 951-3974 |                                     |
| X° ± 5°  |  |  |                                     |
|   |  | TITLE: EXTRUDED VERTICAL T-1¼<br>(5mm) LED NARROW PROFILE ASSY   |                                     |
|  |  | DESIGNED:<br><b>M. Doan</b>  | DATE:<br><b>07/26/12</b>            |
| CHECKED:<br><b>T. Yin</b>  |  | DATE:<br><b>07/26/12</b>   | CAGE CODE : 32559    SHEET # 3 OF 5 |
| CAD GENERATED DOCUMENT. DO NOT MEASURE DRAWING.  |  |  |                                     |

|      |              |      |          |
|------|--------------|------|----------|
| REV. | DESCRIPTION  | DATE | APPROVED |
|      | SEE SHEET #1 |      |          |

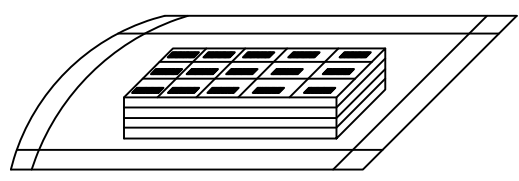
| LED Assy. No.      | Peak Wave Length $\lambda_p$ (nm) | Emitted Color | Lens Appearance | Electro-Optical Data |        |     |          | Viewing Angle $2\theta_{1/2}$ (Deg) | LED P/N  |
|--------------------|-----------------------------------|---------------|-----------------|----------------------|--------|-----|----------|-------------------------------------|----------|
|                    |                                   |               |                 | If (mA)              | Vf (V) |     | Iv (mcd) |                                     |          |
|                    |                                   |               |                 | TYP                  | TYP    | MAX | TYP      |                                     |          |
| <b>LOW CURRENT</b> |                                   |               |                 | <b>Data @ 2mA</b>    |        |     |          |                                     |          |
| ELM1XXX5BWDL       | 430                               | BLUE          | DIFFUSED        | 2                    | 3.8    | 4.2 | 4        | 40                                  | 5BWDL-F  |
| ELM1XXX5PGDL       | 555                               | PURE GREEN    | DIFFUSED        | 2                    | 2.1    | 2.6 | 1        | 40                                  | 5PGDL-F  |
| ELM1XXX5GDL        | 568                               | GREEN         | DIFFUSED        | 2                    | 2.1    | 2.6 | 4        | 40                                  | 5GDL-F   |
| ELM1XXX5YDL        | 590                               | YELLOW        | DIFFUSED        | 2                    | 2      | 2.6 | 4        | 40                                  | 5YDL-F   |
| ELM1XXX5ADL        | 605                               | AMBER         | DIFFUSED        | 2                    | 2      | 2.6 | 4        | 40                                  | 5ADL-F   |
| ELM1XXX5HDL        | 625                               | HE RED        | DIFFUSED        | 2                    | 2      | 2.6 | 5        | 40                                  | 5HDL-F   |
| ELM1XXX5SRDL       | 645                               | SUPER RED     | DIFFUSED        | 2                    | 1.7    | 2.3 | 6        | 40                                  | 5SRDL-F  |
| <b>5 Volt</b>      |                                   |               |                 | <b>Data @ 5V</b>     |        |     |          |                                     |          |
| ELM1XXX5BWD5V      | 430                               | BLUE          | DIFFUSED        | -                    | -      | 5   | 15       | 40                                  | 5BWD5V-F |
| ELM1XXX5GC5V       | 568                               | GREEN         | WATER CLEAR     | -                    | -      | 5   | 40       | 40                                  | 5GC5V-F  |
| ELM1XXX5GD5V       | 568                               | GREEN         | DIFFUSED        | -                    | -      | 5   | 25       | 40                                  | 5GD5V-F  |
| ELM1XXX5GT5V       | 568                               | GREEN         | TINTED          | -                    | -      | 5   | 40       | 40                                  | 5GT5V-F  |
| ELM1XXX5AD5V       | 605                               | AMBER         | DIFFUSED        | -                    | -      | 5   | 25       | 40                                  | 5AD5V-F  |
| ELM1XXX5HD5V       | 625                               | HE RED        | DIFFUSED        | -                    | -      | 5   | 30       | 40                                  | 5HD5V-F  |
| ELM1XXX5RD5V       | 700                               | RED           | DIFFUSED        | -                    | -      | 5   | 1.5      | 40                                  | 5RD5V-F  |
| ELM1XXX5YD5V       | 590                               | YELLOW        | DIFFUSED        | -                    | -      | 5   | 25       | 40                                  | 5YD5V-F  |
| <b>12 Volt</b>     |                                   |               |                 | <b>Data @ 12V</b>    |        |     |          |                                     |          |
| ELM1XXX5GC12V      | 568                               | GREEN         | WATER CLEAR     | -                    | -      | 12  | 40       | 35                                  | 5GC12V-F |
| ELM1XXX5GD12V      | 568                               | GREEN         | DIFFUSED        | -                    | -      | 12  | 25       | 40                                  | 5GD12V-F |
| ELM1XXX5HC12V      | 625                               | HE RED        | WATER CLEAR     | -                    | -      | 12  | 50       | 35                                  | 5HC12V-F |
| ELM1XXX5HD12V      | 625                               | HE RED        | DIFFUSED        | -                    | -      | 12  | 30       | 40                                  | 5HD12V-F |
| ELM1XXX5RC12V      | 700                               | RED           | WATER CLEAR     | -                    | -      | 12  | 2        | 35                                  | 5RC12V-F |
| ELM1XXX5RD12V      | 700                               | RED           | DIFFUSED        | -                    | -      | 12  | 1.5      | 40                                  | 5RD12V-F |
| ELM1XXX5YC12V      | 590                               | YELLOW        | WATER CLEAR     | -                    | -      | 12  | 25       | 35                                  | 5YC12V-F |
| ELM1XXX5YD12V      | 590                               | YELLOW        | DIFFUSED        | -                    | -      | 12  | 20       | 40                                  | 5YD12V-F |

|  |                          |   |  |
|--|--------------------------|---|--|
| STANDARD TOLERANCE<br>( UNLESS OTHERWISE SPECIFIED )<br>$\pm 10\%$ ALL VALUES      ANGULAR<br>X° $\pm 5^\circ$ |                          | <br><b>BIVAR</b> <sup>®</sup><br>4 THOMAS, IRVINE, CA. 92618<br>TEL: (949) 951-8808    FAX: (949) 951-3974 |  |
|                           |                          |   |  |
| DESIGNED:<br><b>M. Doan</b>  | DATE:<br><b>07/26/12</b> | <b>TITLE:</b> EXTRUDED VERTICAL T-1 $\frac{3}{4}$<br>(5mm) LED NARROW PROFILE ASSY<br><b>PART NO:</b> ELM1XXX5XX      REVISION: T   |  |
| CHECKED:<br><b>T. Yin</b>  | DATE:<br><b>07/26/12</b> | <b>CAGE CODE :</b> 32559 <b>SHEET # 4 OF 5</b><br><small>CAD GENERATED DOCUMENT. DO NOT MEASURE DRAWING.</small>  |  |

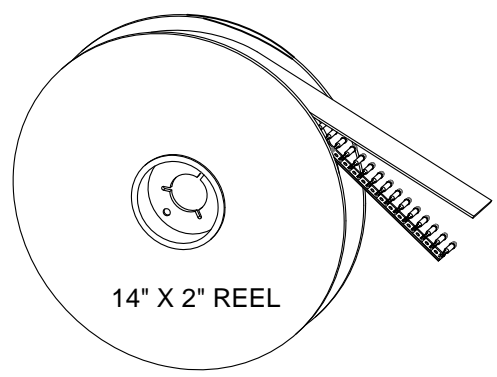
| REV. | DESCRIPTION  | DATE | APPROVED |
|------|--------------|------|----------|
|      | SEE SHEET #1 |      |          |



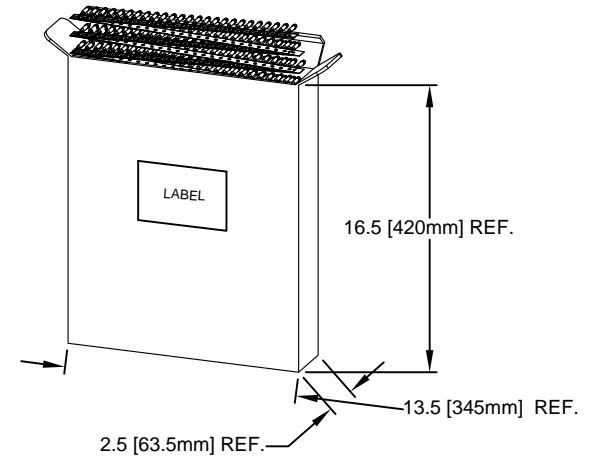
DIRECTION OF FEED →



STANDARD PACKAGING TRAY



TAPE & REEL  
1,000 pcs / reel



AMMO PACK  
2,000 pcs / box

- NOTE:
1. STANDARD PART NUMBERS ARE PACKAGED IN LOOSE PIECES USING PACKAGING TRAYS
  2. ADD "T" SUFFIX TO PART NUMBER FOR TAPE AND REEL PACKAGING OPTION (1,000 PCS/REEL)
  3. ADD "A" SUFFIX TO PART NUMBER FOR AMMO PACK OPTION (2,000 PCS/BOX)
  4. TAPE AND REEL PACKAGING COMPLY TO EIA-468-C

|  |         |  |   |
|--|---------|--|---|
| STANDARD TOLERANCE<br>(UNLESS OTHERWISE SPECIFIED) |         | <br>4 THOMAS, IRVINE, CA. 92618<br>TEL: (949) 951-8808 FAX: (949) 951-3974 |   |
| DECIMALS   | ANGULAR |  |   |
| .X ± .1  | X° ± 1° |  | <b>TITLE:</b> EXTRUDED VERTICAL T-1¼<br>(5mm) LED NARROW PROFILE ASSY |
| .XX ± .02  |         |  |   |
| .XXX ± .010  |         | <b>DESIGNED:</b> M. Doan<br><b>CHECKED:</b> T. Yin                         | <b>DATE:</b> 07/26/12<br><b>DATE:</b> 07/26/12                        |
|  |         | <b>PART NO:</b> ELM1XXX5XX   | <b>REVISION:</b> T  |
|  |         | <b>CAGE CODE :</b> 32559   | <b>SHEET #</b> 5 OF 5   |
| CAD GENERATED DOCUMENT. DO NOT MEASURE DRAWING.    |         |  |   |

# Mouser Electronics

Authorized Distributor

Click to View Pricing, Inventory, Delivery & Lifecycle Information:

## BIVAR:

[ELM10455GD5V](#) [ELM10455YD5V](#) [ELM10505GDL](#) [ELM10505HD](#) [ELM10505YD](#) [ELM10555GD](#) [ELM10605GD](#)  
[ELM10605HD](#) [ELM10605SRC](#) [ELM10705GD](#) [ELM10705GDL](#) [ELM10705HDL](#) [ELM10705RD](#) [ELM10705YD](#)  
[ELM10705YDL](#) [ELM10805GD](#) [ELM10805GDL](#) [ELM10805HDL](#) [ELM10805YDL](#) [ELM11005GD](#) [ELM11005HD](#)  
[ELM11005YD](#) [ELM110MM5GD](#) [ELM110MM5RD](#) [ELM111405YD](#) [ELM111MM5SRD](#) [ELM11205GD](#) [ELM11255GD](#)  
[ELM11255HD](#) [ELM11255YD](#) [ELM113MM5GD](#) [ELM113MM5HD](#) [ELM11405GD](#) [ELM11405HD5V](#) [ELM11405RD](#)  
[ELM11405YD](#) [ELM11455HD5V](#) [ELM114MM5GD](#) [ELM114MM5RD](#) [ELM11505HD5V](#) [ELM11555GD](#) [ELM11555RD](#)  
[ELM115MM5HD](#) [ELM115MM5RD](#) [ELM11605BWD](#) [ELM11605GD](#) [ELM11605RD](#) [ELM11605YD](#) [ELM11655GD](#)  
[ELM11655RD](#) [ELM11655YD](#) [ELM116MM5GDL](#) [ELM11705HD](#) [ELM11805HDL](#) [ELM11855SRD](#) [ELM11905GD](#)  
[ELM11905RD](#) [ELM11MM5GD](#) [ELM11MM5RD](#) [ELM11MM5YD](#) [ELM12005GD](#) [ELM12005GD5V](#) [ELM12005HD](#)  
[ELM12005YD](#) [ELM120MM5BC](#) [ELM12205GDL](#) [ELM12205HD](#) [ELM12205HDL](#) [ELM12205RD](#) [ELM12205YDL](#)  
[ELM12355BC](#) [ELM12355BWD](#) [ELM12355GDL](#) [ELM12355RD](#) [ELM12355YD](#) [ELM12355YDL](#) [ELM12505BC](#)  
[ELM12505GD](#) [ELM12505HD](#) [ELM12505HD5V](#) [ELM12505HDL](#) [ELM12505RD](#) [ELM12505SRD](#) [ELM12505YD](#)  
[ELM12605BC](#) [ELM12755BC](#) [ELM12755GD](#) [ELM12755GDL](#) [ELM12755RD](#) [ELM12755YDL](#) [ELM12955BC](#)  
[ELM12955GDL](#) [ELM12955YDL](#) [ELM12MM5BWD](#) [ELM13005GD](#) [ELM13005GDL](#) [ELM13005HD](#) [ELM13005HDL](#)  
[ELM13005RD](#) [ELM13005YD](#)