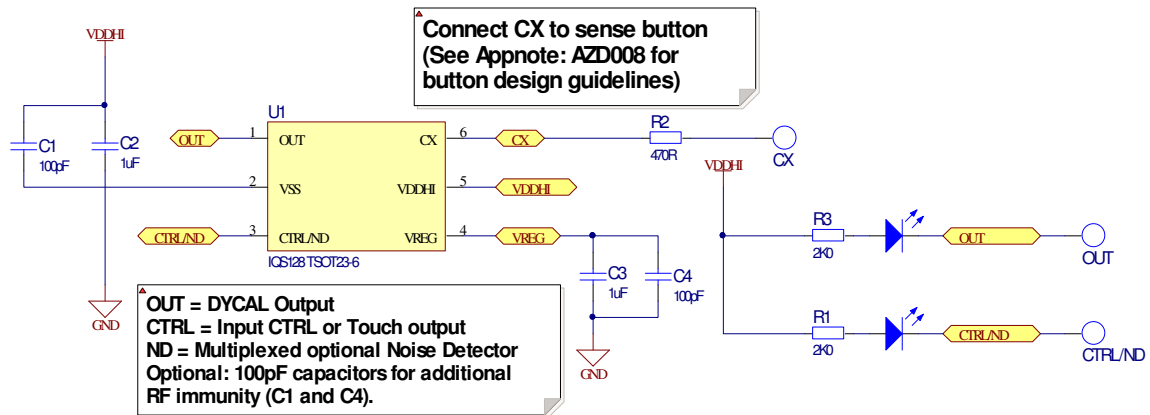


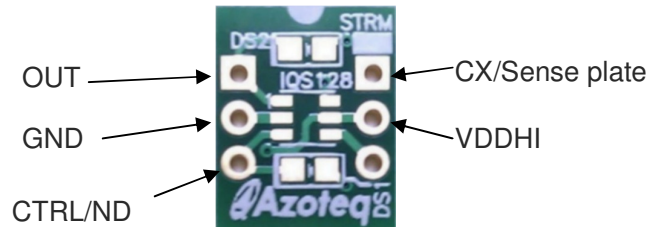


# IQS128 on AZP242A02 Connection Guide

## 1 IQS128 on AZP242A02



## 2 PCboard (AZP242A02)



## 3 PCB Layout

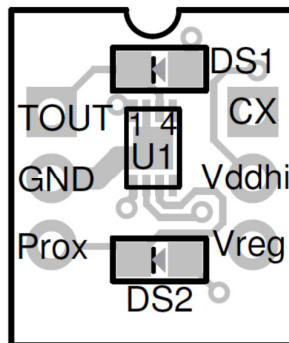


Figure 1.1 Top layer component placement

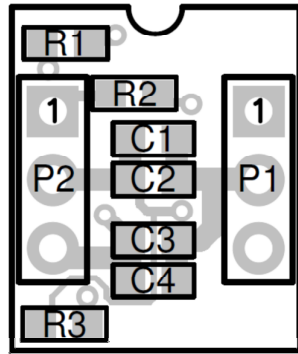
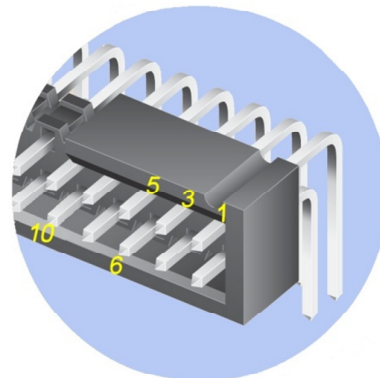


Figure 1.2 Bottom layer component placement

### 4 CT-Tool Connections

IQS128 pins	CT200 / CT220 pins	
	Programming	Streaming
GND	1	1
VDDHI	3	3
CTRL/ND	5	
CX	6	
OUT		10



The IQS128 ProxSense® IC is a fully integrated capacitive sensor with Dynamic Calibration technology to compensate for sensor drift during proximity and touch detection.

### Features

- Features DYCAL™ Intelligent Hysteresis
- Internal Capacitor Implementation (ICI)
- Automatic Antenna Tuning Implementation (Auto-ATI)
- Supply voltage: 2.95V to 5.5V
- Minimal external components
- 1-Wire open drain data streaming
- Advanced on-chip digital signal processing
- User selectable (OTP):
  - External synchronization control or
  - External control over filter operation
  - I/O Sink or Source selection
  - Time-out for stuck key



- Proximity and Touch sensitivity selections
  - 6 pin TSOT23-6
  - IQS128LP offered in DFN(2x3)-8
  - Touch: 6 mm plastic, 10 mm glass
  - Proximity: 15cm

**IQS128EV01 Kit includes:**

- 3 x Module PCB with IQS128 (TSOT23-6)

### **Contact Information**

Please visit [www.azoteq.com](http://www.azoteq.com) for comprehensive datasheets, application notes, reference designs and a list of distributors for your region.

# Mouser Electronics

Authorized Distributor

Click to View Pricing, Inventory, Delivery & Lifecycle Information:

[Azoteq:](#)

[IQS128EV01S](#) [IQS128EV04 S](#)