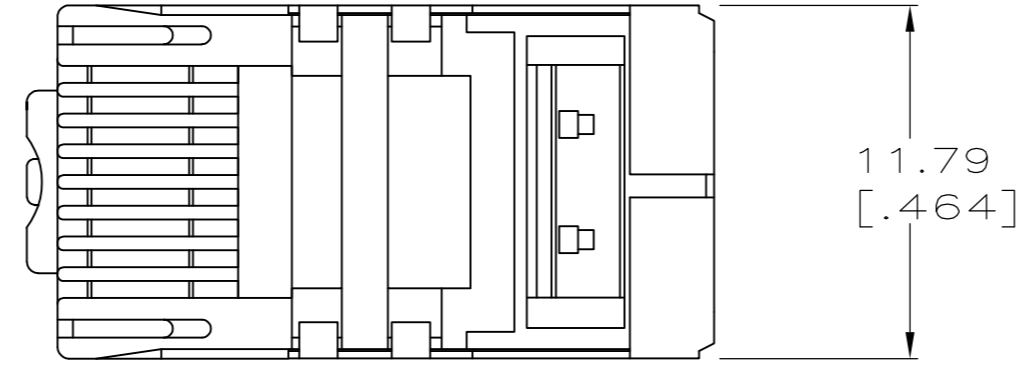
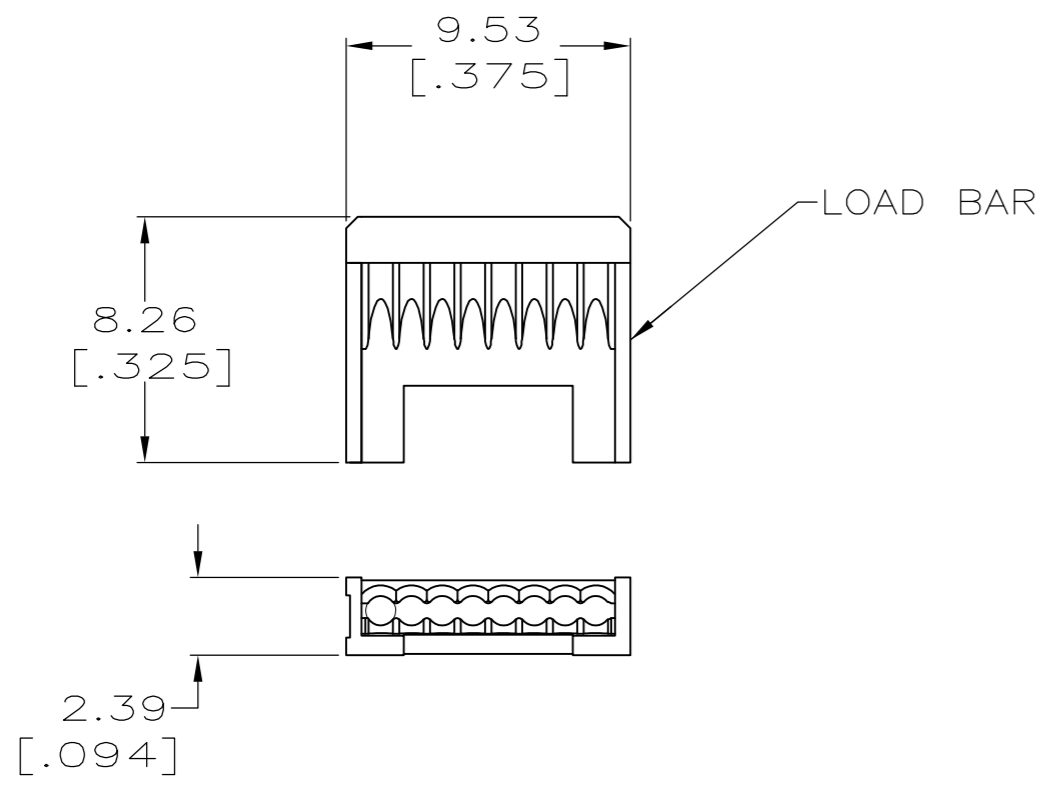
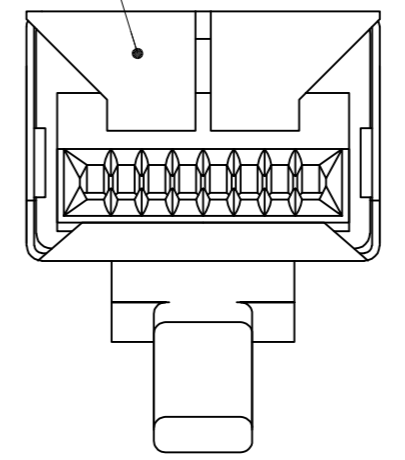
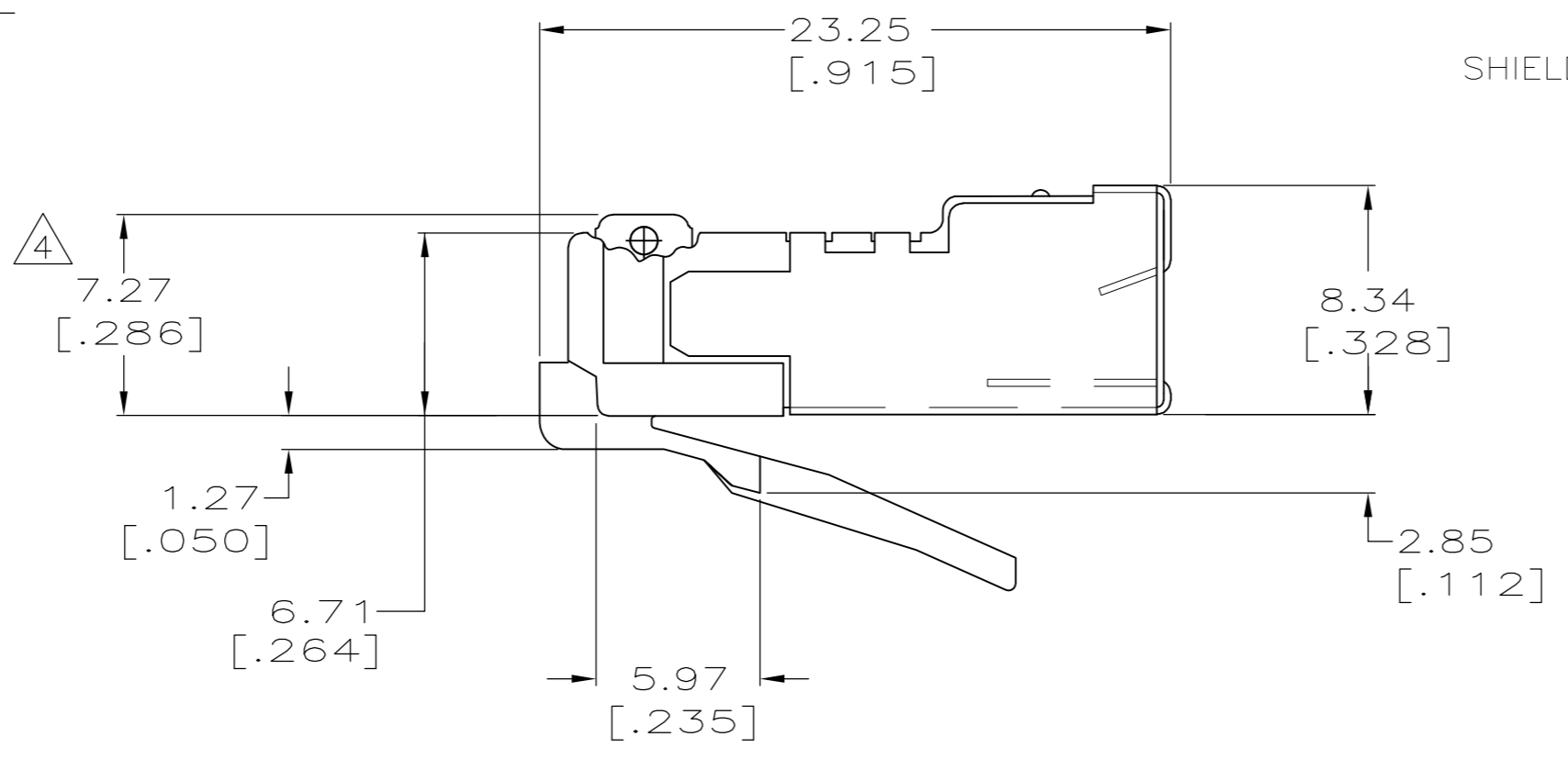
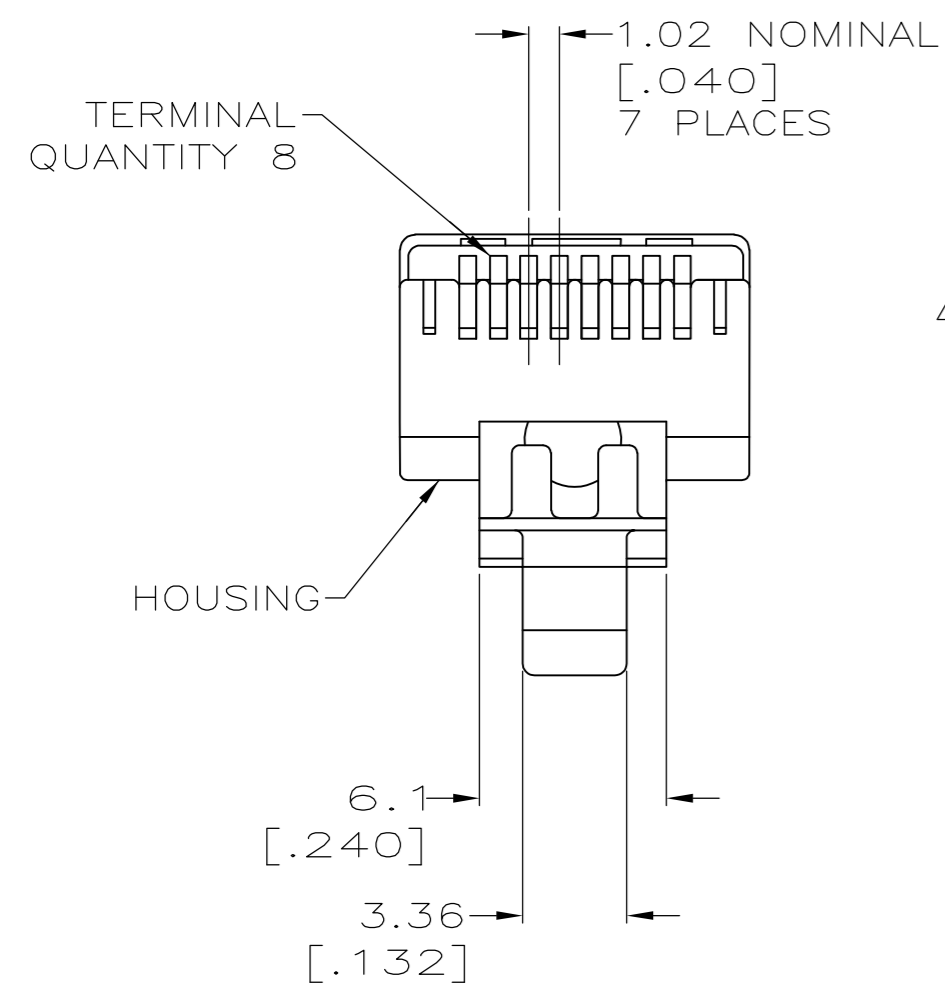


THIS DRAWING IS UNPUBLISHED. RELEASED FOR PUBLICATION
 © COPYRIGHT - By - ALL RIGHTS RESERVED.

LOC		DIST		REVISIONS			
P	LTR	DESCRIPTION		DATE	DWN	APVD	
HM	00	J		REV PER ECO-14-011190	28JUL2014	JB	LS



- ① DIMENSIONS ARE MAXIMUM UNLESS OTHERWISE SPECIFIED.
- ② MATERIAL: HOUSING- POLYCARBONATE, CLEAR
 TERMINAL- .36 [.014] THICK PHOSPHOR BRONZE PLATED WITH .178μm [.000007] THICK GOLD IN LOCALIZED PLATE AREA OVER .762μm [.000030] THICK PALLADIUM NICKEL IN LOCALIZED PLATE AREA OVER 2.54μm [.000100] THICK NICKEL ON ENTIRE CONTACT.
 SHIELD- COPPER ALLOY WITH 1.27μm [.000050] MINIMUM SEMI-BRIGHT (SATIN) NICKEL.
- 3. PLUG WILL ACCEPT A 24 OR 26 SOLID CONDUCTOR, PROVIDED THE INSULATED CONDUCTOR DIAMETER IS 0.89[.035] TO 0.99[.039] WITH A SHIELDED, PLIABLE, LOOSE CABLE JACKET OF 4.83[.190] TO 5.21[.205] DIAMETER OR A SHIELDED, RIGID, HARD CABLE JACKET OF 4.83[.190] TO 5.08[.200] DIAMETER.
- ④ TERMINATED DIMENSION 6.15 [.242] MAXIMUM.
- ⑤ 500 ASSEMBLIES AND 500 LOAD BARS PER PACKAGE.
- ⑥ 100 ASSEMBLIES AND 100 LOAD BARS PER PACKAGE.
- ⑦ 25 ASSEMBLIES AND 25 LOAD BARS PER PACKAGE.
- ⑧ UL RECOGNIZED: FILE NUMBER E81956



SUPSD BY 5-569550-2	⑦	5-569550-4
	⑥	5-569550-3
	⑤	5-569550-2
	PACKAGED	PART NUMBER

THIS DRAWING IS A CONTROLLED DOCUMENT.		DWN	G. GARRETT	10-11-95		TE Connectivity				
DIMENSIONS: mm [INCHES]		CHK	C. WHITT	10-31-95		MODULAR PLUG ASSEMBLY, 8 POSITION, SHIELDED, ROUND CABLE, SOLID WIRE, HIGH PERFORMANCE				
TOLERANCES UNLESS OTHERWISE SPECIFIED:		APVD	E. LAURER	11-7-95		SIZE	CAGE CODE	DRAWING NO		
0 PLC ± - 1 PLC ± - 2 PLC ± - 3 PLC ± - 4 PLC ± - ANGLES ± - FINISH ± -		PRODUCT SPEC	108-1163	APPLICATION SPEC		A2	00779	C=569550		
MATERIAL - ②		WEIGHT	-	CUSTOMER DRAWING	SCALE	4:1	SHEET	1 of 1	REV	J

Mouser Electronics

Authorized Distributor

Click to View Pricing, Inventory, Delivery & Lifecycle Information:

[TE Connectivity:](#)

[5-569550-2](#)