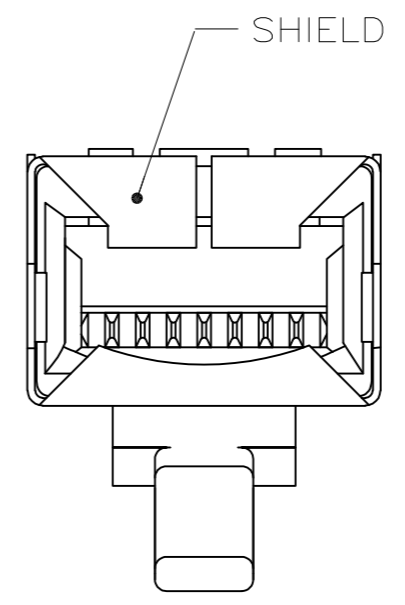
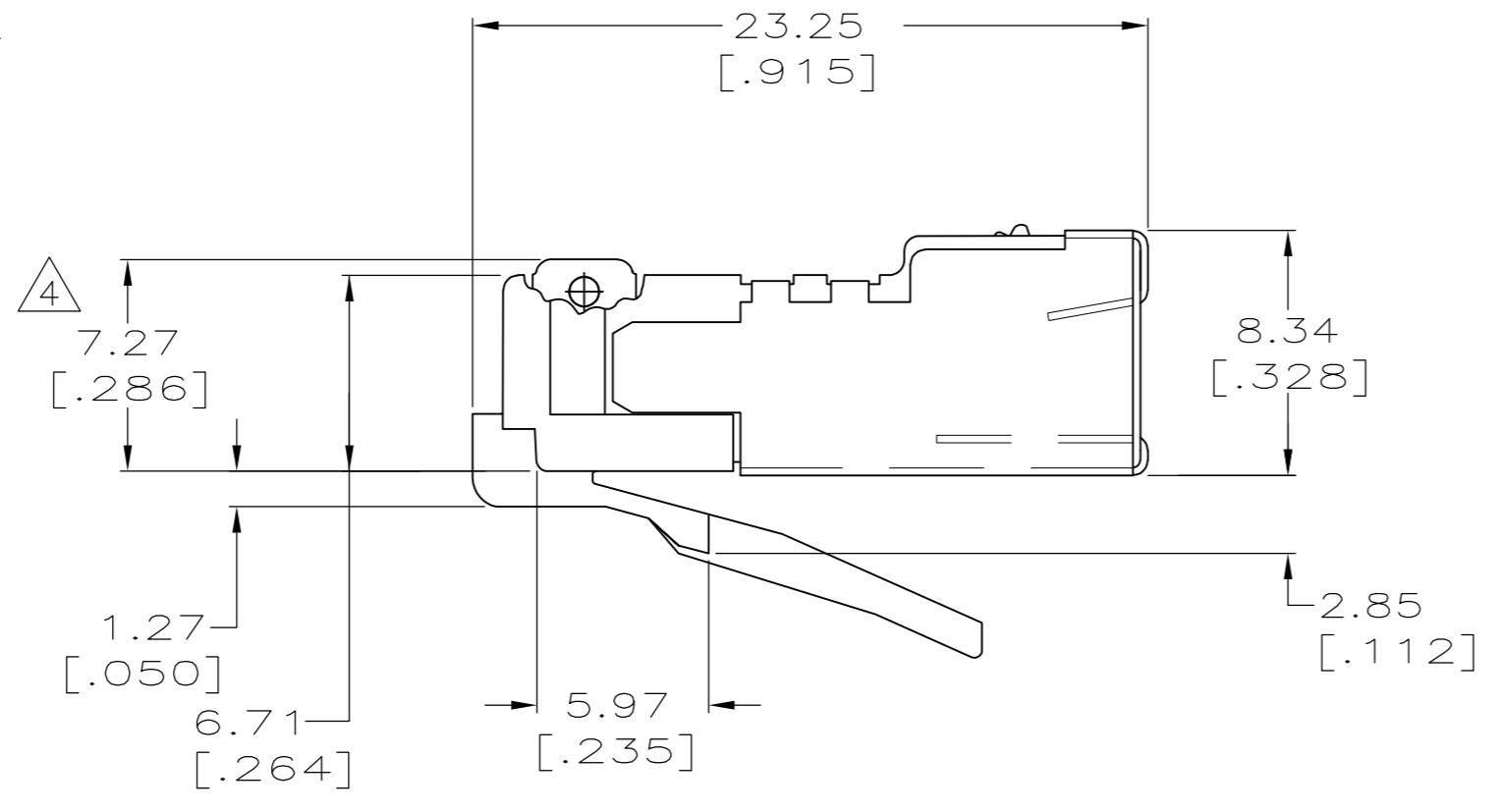
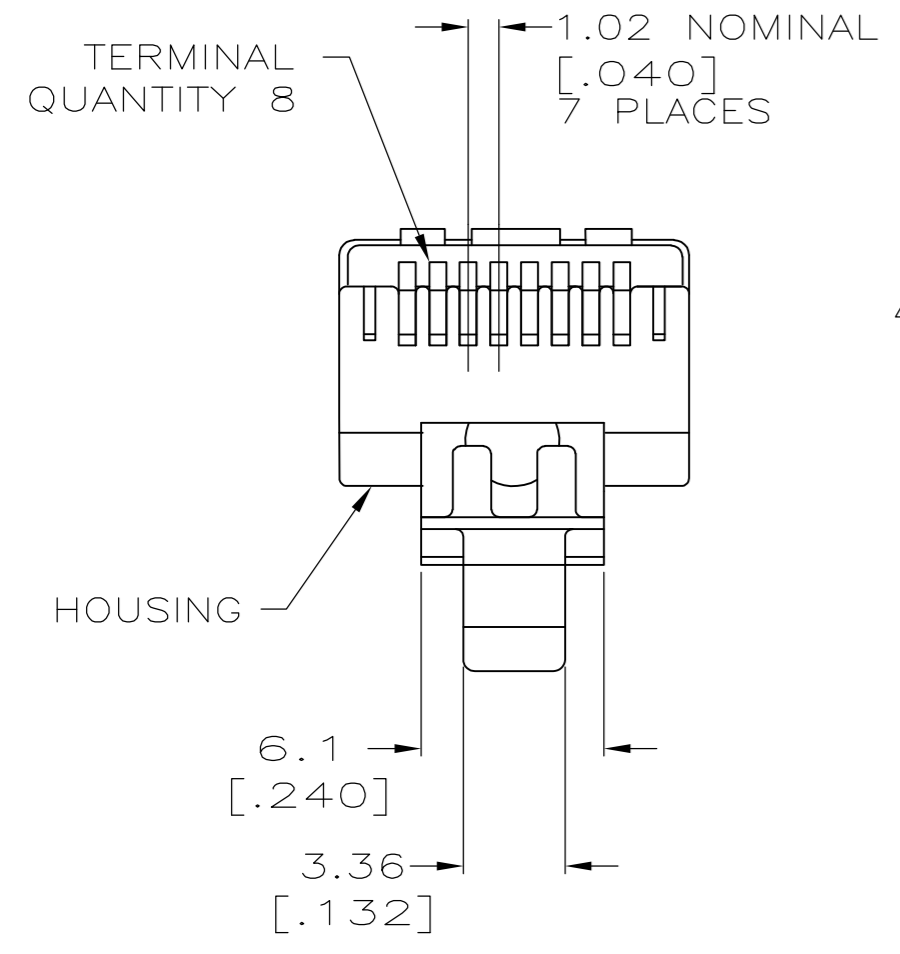
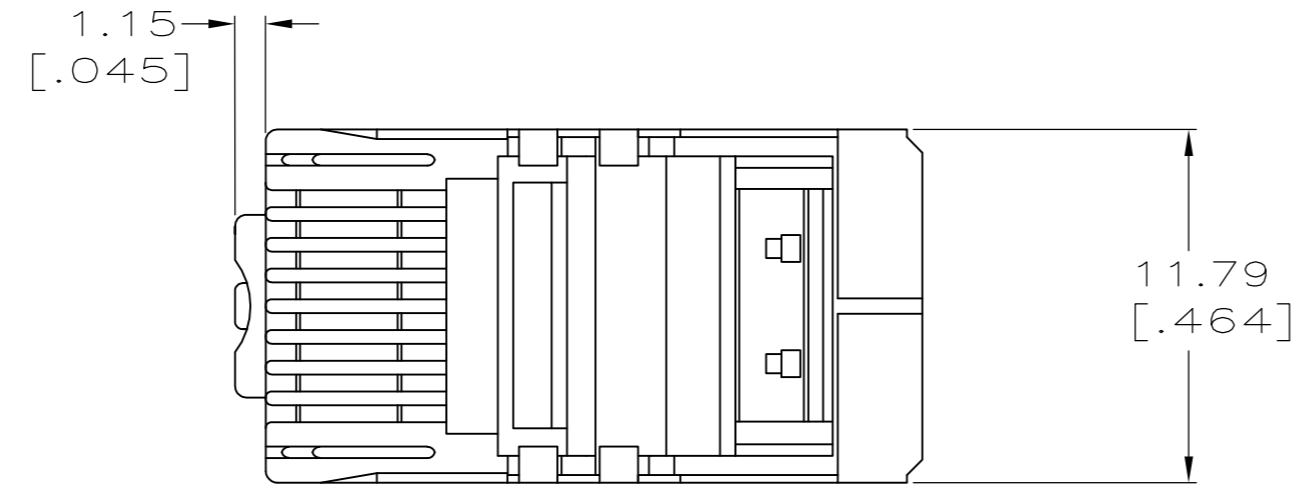


THIS DRAWING IS UNPUBLISHED. RELEASED FOR PUBLICATION  
 © COPYRIGHT - By - ALL RIGHTS RESERVED.

LOC	DIST	REVISIONS			
P	LTR	DESCRIPTION	DATE	DWN	APVD
HM	00	G	REVISED PER ECO-14-011190	17JUL2014	JB LS

- 1 DIMENSIONS ARE MAXIMUM UNLESS OTHERWISE SPECIFIED.
- 2 MATERIAL: HOUSING- POLYCARBONATE, CLEAR  
 TERMINAL- .36 [.014] THICK PHOSPHOR BRONZE PLATED WITH .178 $\mu$ m [.000007] THICK GOLD IN LOCALIZED PLATE AREA OVER .762 $\mu$ m [.000030] THICK PALLADIUM NICKEL IN LOCALIZED PLATE AREA OVER 2.54  $\mu$ m [.000100] THICK NICKEL ON ENTIRE CONTACT.  
 SHIELD- COPPER ALLOY WITH 1.27 $\mu$ m [.000050] MINIMUM SEMI-BRIGHT (SATIN) NICKEL.
- 3. PLUG WILL ACCEPT 24 OR 26 AWG SOLID WIRE, 0.74-0.99 [.029-.039] DIAMETER, WITH A 5.08 [.200] DIAMETER MAXIMUM JACKET.
- 4 TERMINATED DIMENSION 6.15 [.242] MAXIMUM.
- 5 500 ASSEMBLIES PER PACKAGE.
- 6 100 ASSEMBLIES PER PACKAGE.



6	5-569530-3
5	5-569530-2
PACKAGED	PART NUMBER

THIS DRAWING IS A CONTROLLED DOCUMENT.		DWN	L. HALL	25OCT2006		TE Connectivity						
DIMENSIONS: mm [INCHES]		CHK	C. DOOLEY	30OCT2006		NAME						
TOLERANCES UNLESS OTHERWISE SPECIFIED:		APVD	C. DOOLEY	30OCT2006		PRODUCT SPEC						
0 PLC ± - 1 PLC ± - 2 PLC ± - 3 PLC ± - 4 PLC ± - ANGLES ± - FINISH ± -		108-1163 APPLICATION SPEC 114-6016		MODULAR PLUG ASSEMBLY, 8 POSITION, SHIELDED, ROUND CABLE, SOLID WIRE								
MATERIAL		WEIGHT	-		SIZE	A2	CAGE CODE	00779	DRAWING NO	C=569530	RESTRICTED TO	-
CUSTOMER DRAWING					SCALE	4:1	SHEET	1 of 1	REV	G		

# Mouser Electronics

Authorized Distributor

Click to View Pricing, Inventory, Delivery & Lifecycle Information:

[TE Connectivity:](#)

[5-569530-3](#)