

4

3

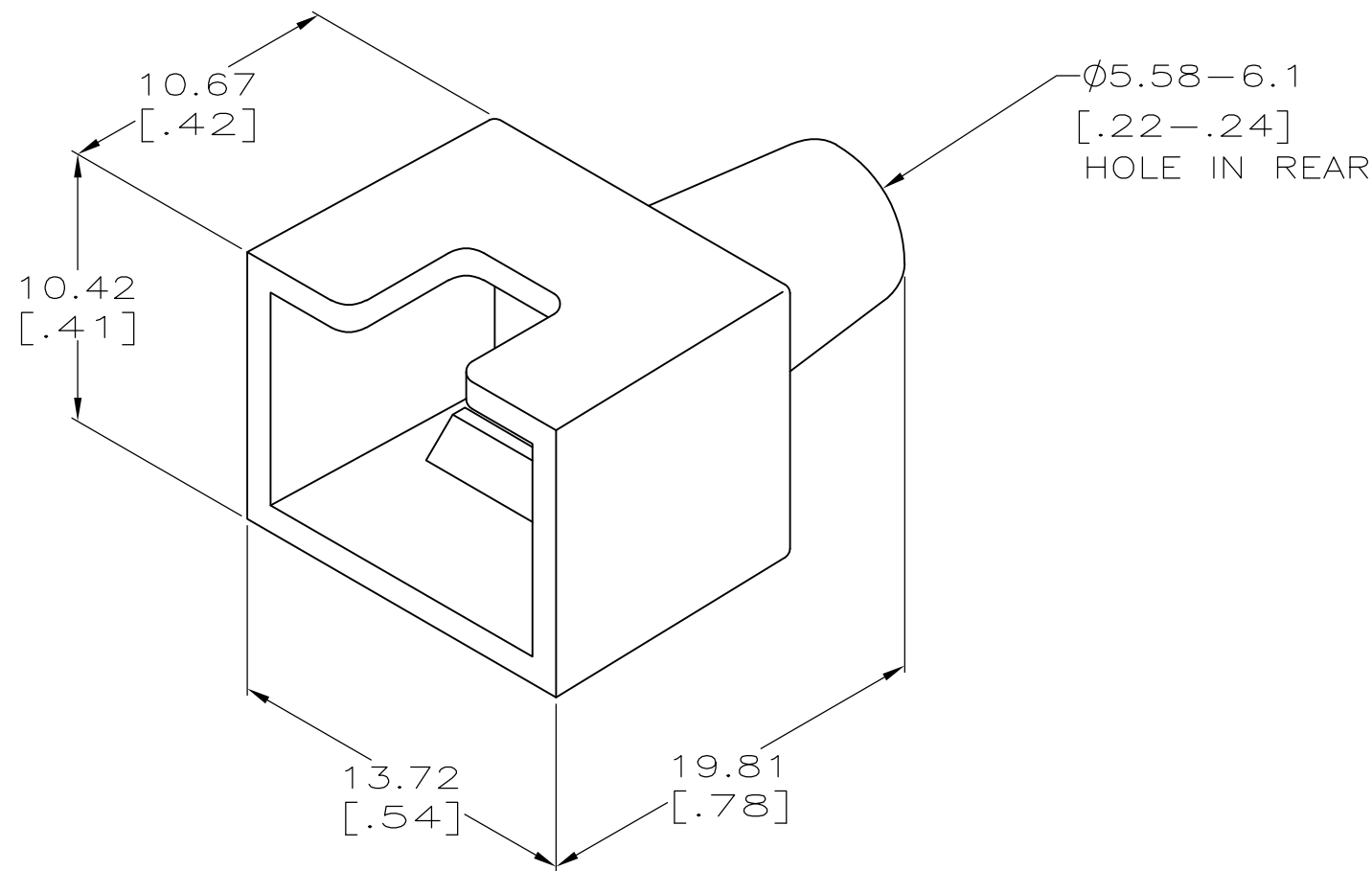
2

1

THIS DRAWING IS UNPUBLISHED. RELEASED FOR PUBLICATION - , - .
 © COPYRIGHT - By - ALL RIGHTS RESERVED.

| LOC | DIST | REVISIONS | | | |
|-----|------|-------------|---------------------------|---------|--------|
| P | LTR | DESCRIPTION | DATE | DWN | APVD |
| HM | 00 | A1 | REVISED PER ECO-11-005033 | 22MAR11 | RK HMR |

- ① MATERIAL: ELASTOMER POLYOLEFIN, SEE TABLE FOR COLOR.
- ② DIMENSIONS ARE MAXIMUM UNLESS OTHERWISE SPECIFIED.



| | |
|-----------|----------|
| VIOLET | 558211-9 |
| WHITE | 558211-8 |
| ORANGE | 558211-7 |
| YELLOW | 558211-6 |
| BLUE | 558211-5 |
| GREEN | 558211-4 |
| RED | 558211-3 |
| LT ALMOND | 558211-2 |
| BLACK | 558211-1 |
| COLOR | PART NO. |

| | | | | | | | | | | | | | | | | | |
|--|-------------|---------------------------------|----------------------------|--------------------|------------------------|-----|-------|-----|-------|-----|-------|-----|--------|-----|-------------------|--------------------|--|
| THIS DRAWING IS A CONTROLLED DOCUMENT. | | DWN D.L. DRUMMOND 8-10-94 | STE TE Connectivity | | | | | | | | | | | | | | |
| DIMENSIONS: mm[INCHES] | | CHK D. HUSSEY 8-19-94 | | | | | | | | | | | | | | | |
| TOLERANCES UNLESS OTHERWISE SPECIFIED: | | APVD B. ANTHONY 26AUG1994 | NAME BOOT, MODULAR PLUG | | | | | | | | | | | | | | |
| <table border="0"> <tr><td>0 PLC</td><td>± -</td><td rowspan="5">②</td></tr> <tr><td>1 PLC</td><td>± -</td></tr> <tr><td>2 PLC</td><td>± -</td></tr> <tr><td>3 PLC</td><td>± -</td></tr> <tr><td>4 PLC</td><td>± -</td></tr> <tr><td>ANGLES</td><td>± -</td></tr> </table> | | 0 PLC | ± - | ② | 1 PLC | ± - | 2 PLC | ± - | 3 PLC | ± - | 4 PLC | ± - | ANGLES | ± - | PRODUCT SPEC - | RESTRICTED TO - | |
| 0 PLC | ± - | ② | | | | | | | | | | | | | | | |
| 1 PLC | ± - | | | | | | | | | | | | | | | | |
| 2 PLC | ± - | | | | | | | | | | | | | | | | |
| 3 PLC | ± - | | | | | | | | | | | | | | | | |
| 4 PLC | ± - | | | | | | | | | | | | | | | | |
| ANGLES | ± - | | | | | | | | | | | | | | | | |
| MATERIAL - | FINISH - | APPLICATION SPEC - | SIZE A3 | CAGE CODE 00779 | DRAWING NO C-558211 | | | | | | | | | | | | |
| MATERIAL ① | | WEIGHT - | CUSTOMER DRAWING | | SCALE 4:1 | | | | | | | | | | | | |
| | | SHEET 1 of 1 | | REV A1 | | | | | | | | | | | | | |

Mouser Electronics

Authorized Distributor

Click to View Pricing, Inventory, Delivery & Lifecycle Information:

[TE Connectivity Divested:](#)

[558211-5](#)