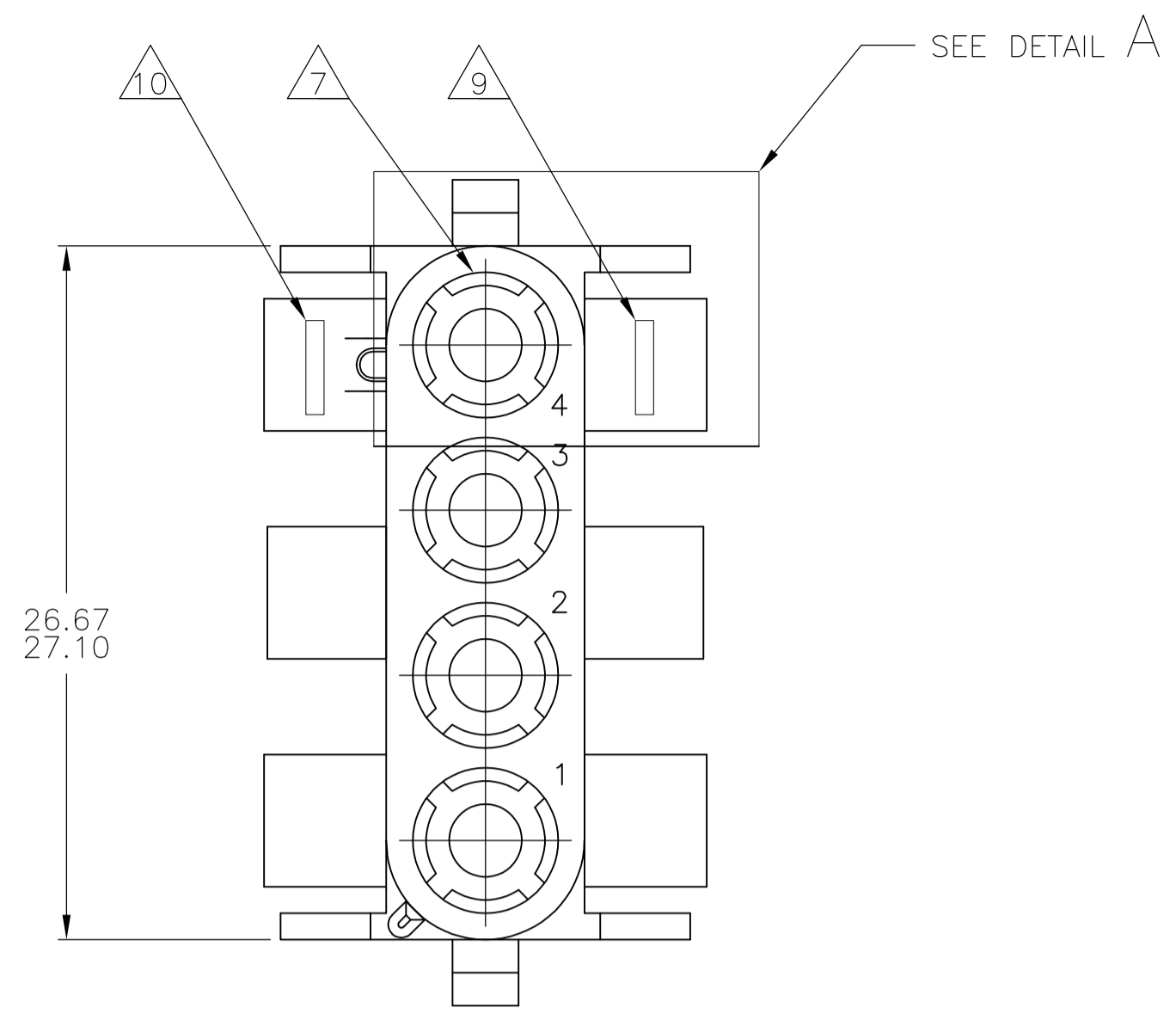
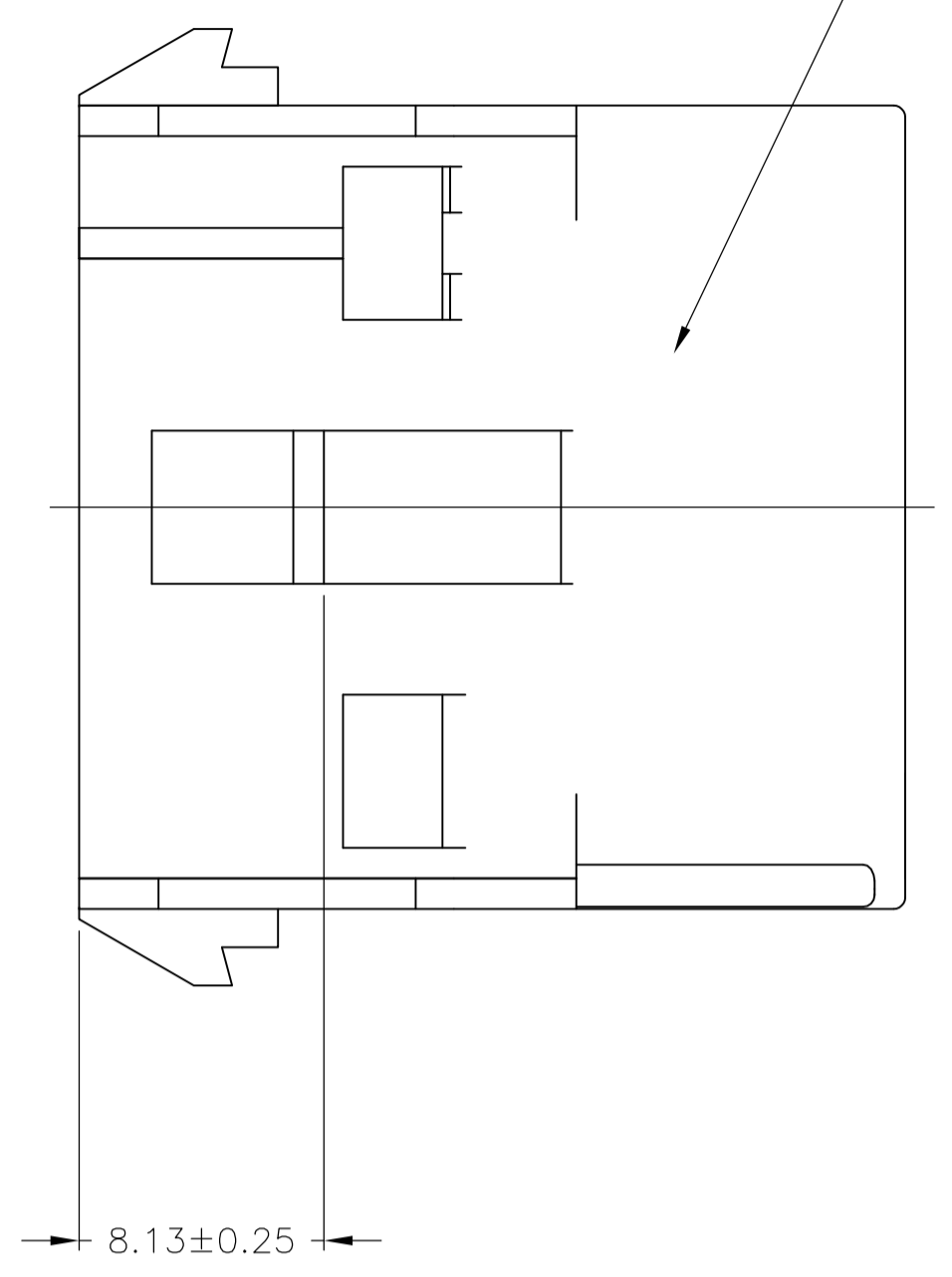
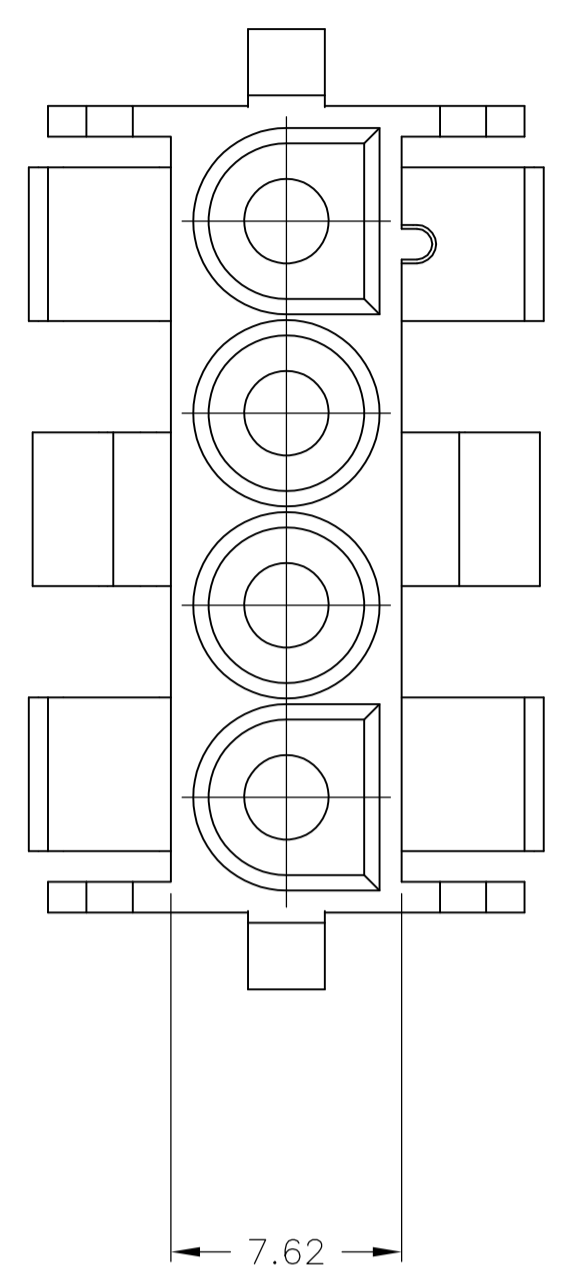
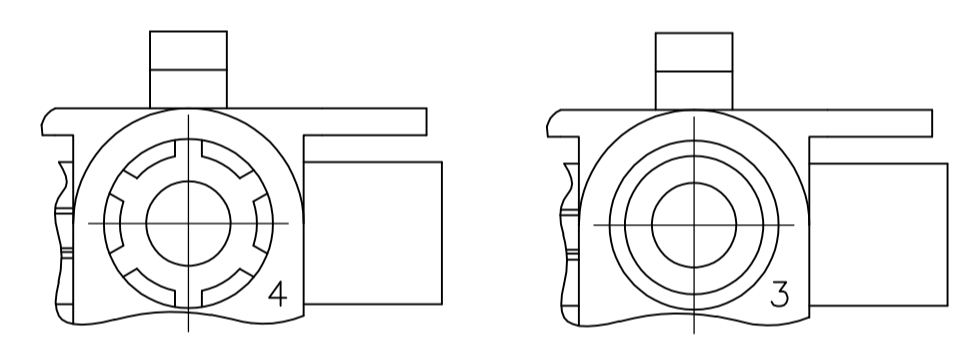


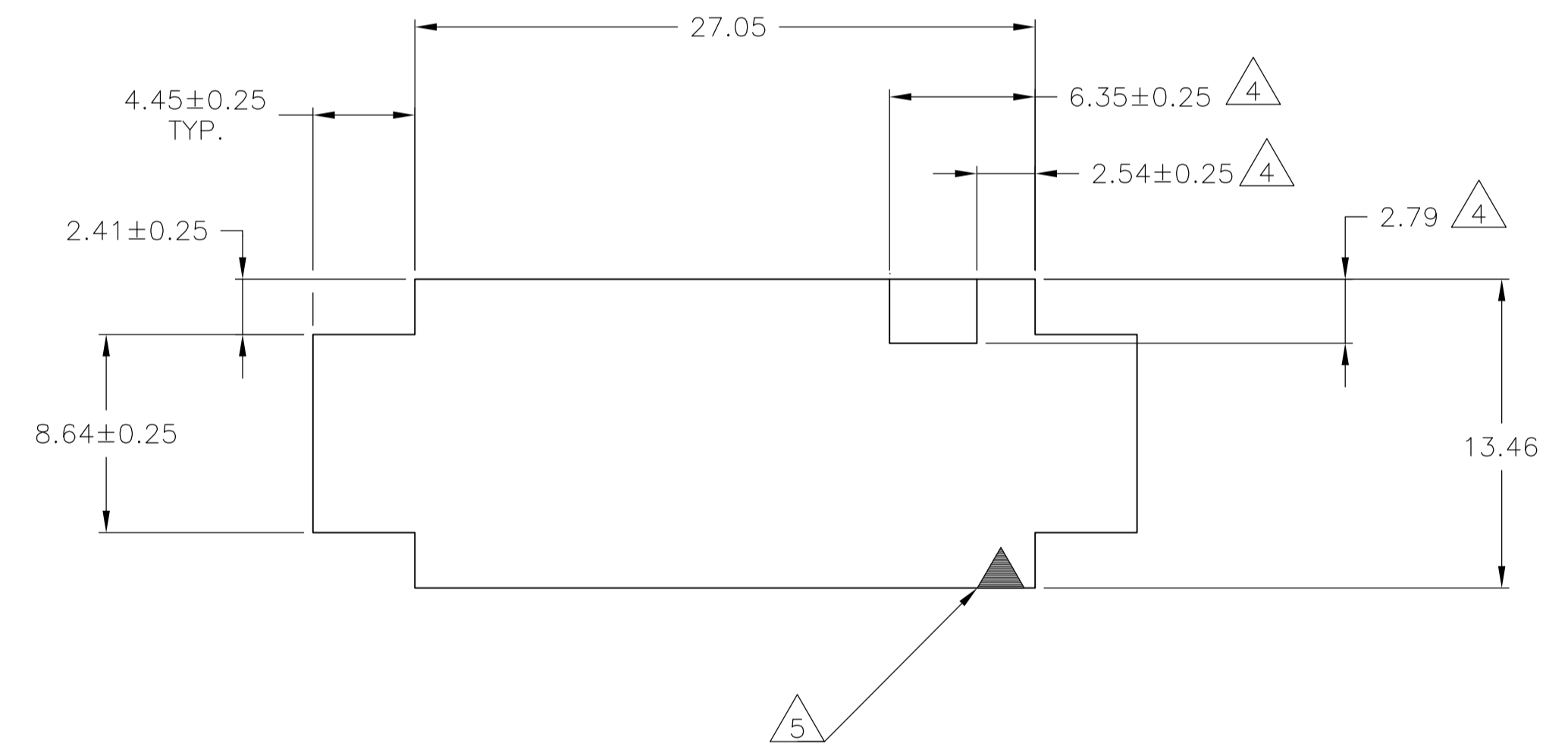
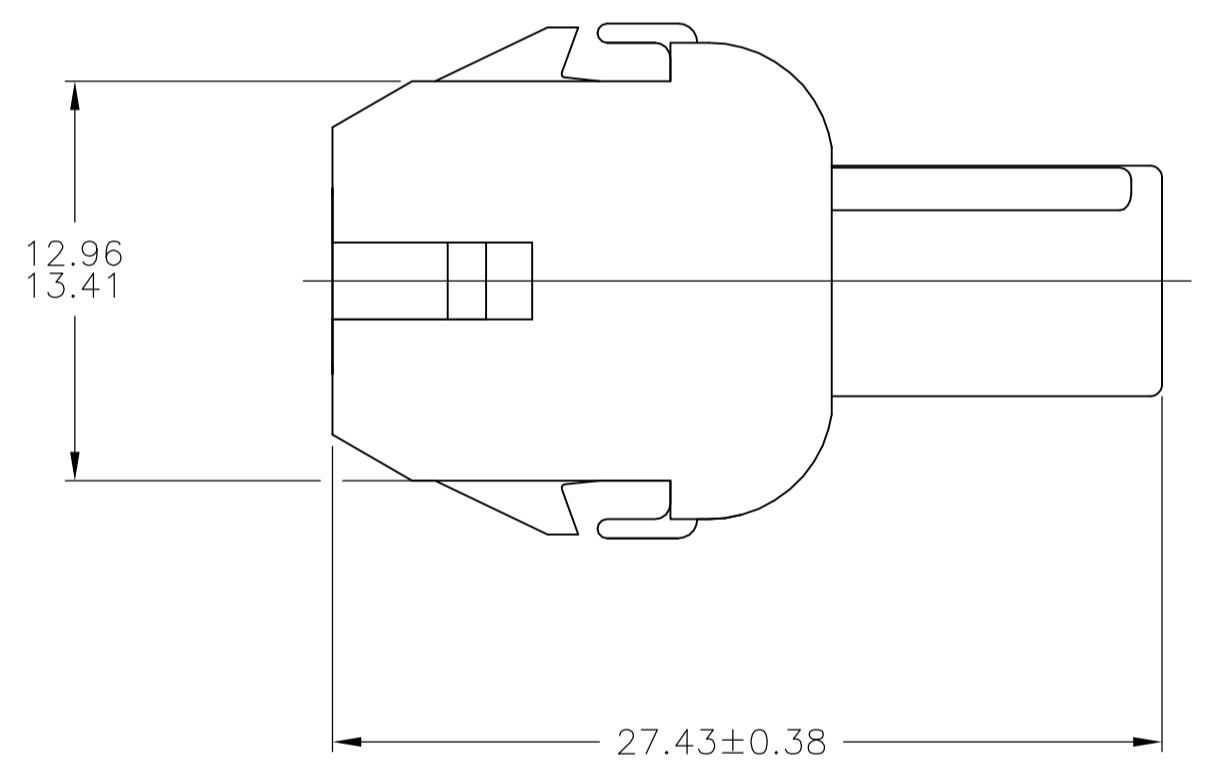
LOC		DIST		REVISIONS			
CM	OO	REV	DATE	BY	APPV	DATE	DESCRIPTION
AM4		REVISED PER ECR-17-008392	26JUN2017	BW	KR		



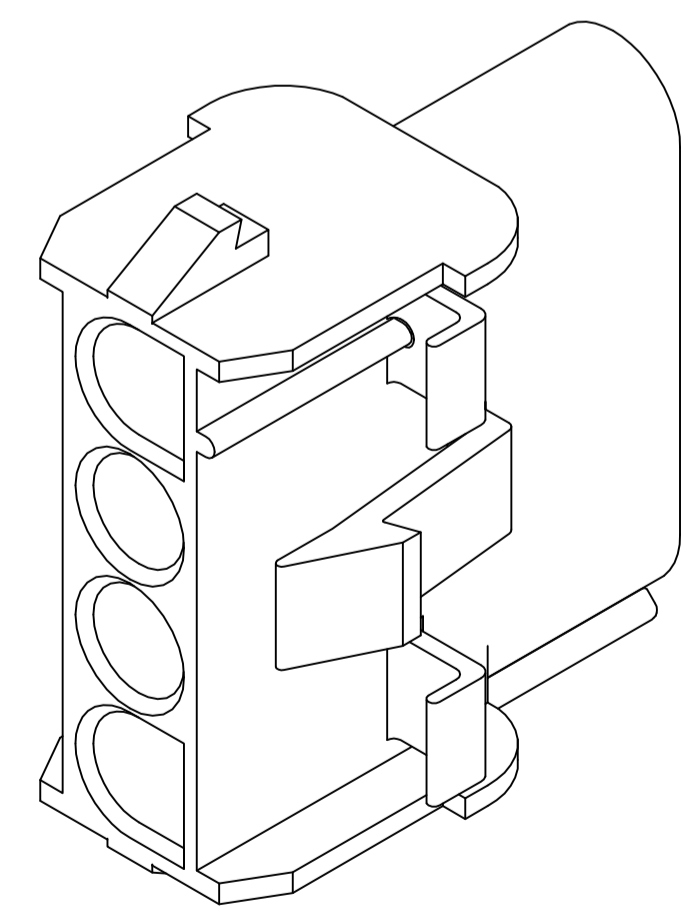
- MATES WITH APPROPRIATE UNIVERSAL MATE-N-LOK™ PLUG.
- RECOMMENDED PANEL THICKNESS 0.76 - 2.29.
- PANEL MUST BE PUNCHED SO THAT THE HOUSING ENTERS THE PANEL IN THE SAME DIRECTION AS THE PUNCH.
- OPTIONAL FOR KEYING HOUSING IN PANEL.
- CIRCUIT NUMBER 1 LOCATION.
- DIMENSIONS SHOWN REPRESENT PRODUCT IN DRY, AS MOLDED, CONDITION. ADDITIONAL 2% GROWTH DUE TO SUBSEQUENT MOISTURE ABSORPTION MAY OCCUR AND SHOULD BE ACCOUNTED FOR.
- FOUR RIBS EQUALLY SPACED, NO SPECIFIC ORIENTATION. NO RIBS OR SIX RIBS EQUALLY SPACED, NO SPECIFIC ORIENTATION, OPTIONAL.
- UNDERWRITERS RECOGNIZED COMPONENT LOGO AND CSA CERTIFICATION LOGO TO BE LOCATED ONCE EACH ON SIDE OF HOUSING.
- MANUFACTURING LOCATION ID (OPTIONAL).
- TRADEMARK LOCATION (AMP OR TE CONNECTIVITY).
- OBsolete PARTS: OBSOLETE CIS STREAMLINING PER D.RENAUD/D.SINISI



DETAIL A  
OPTIONAL CONSTRUCTIONS



RECOMMENDED PANEL CUT OUT



3-DIMENSIONAL MODEL  
NTS

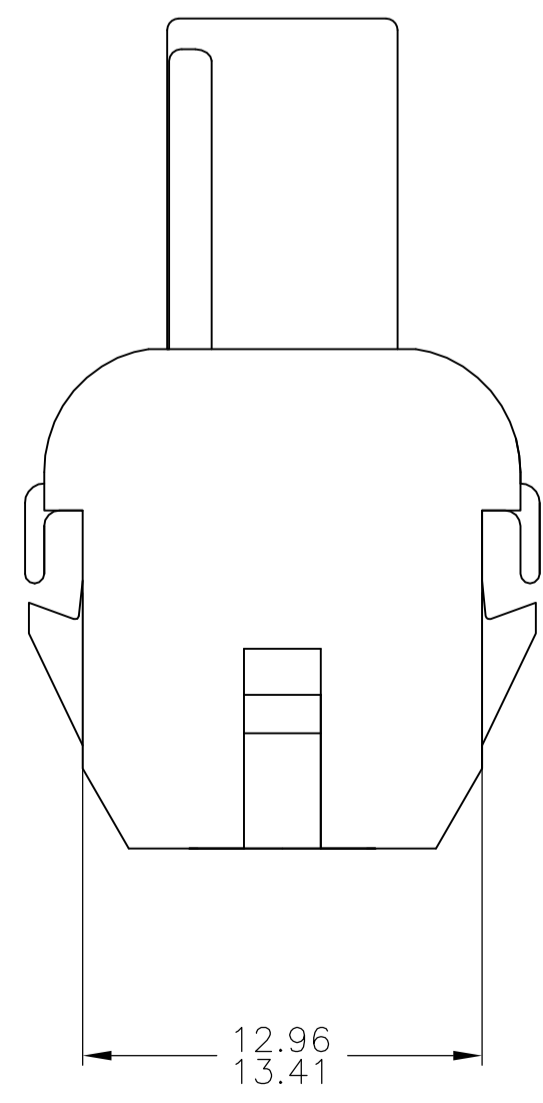
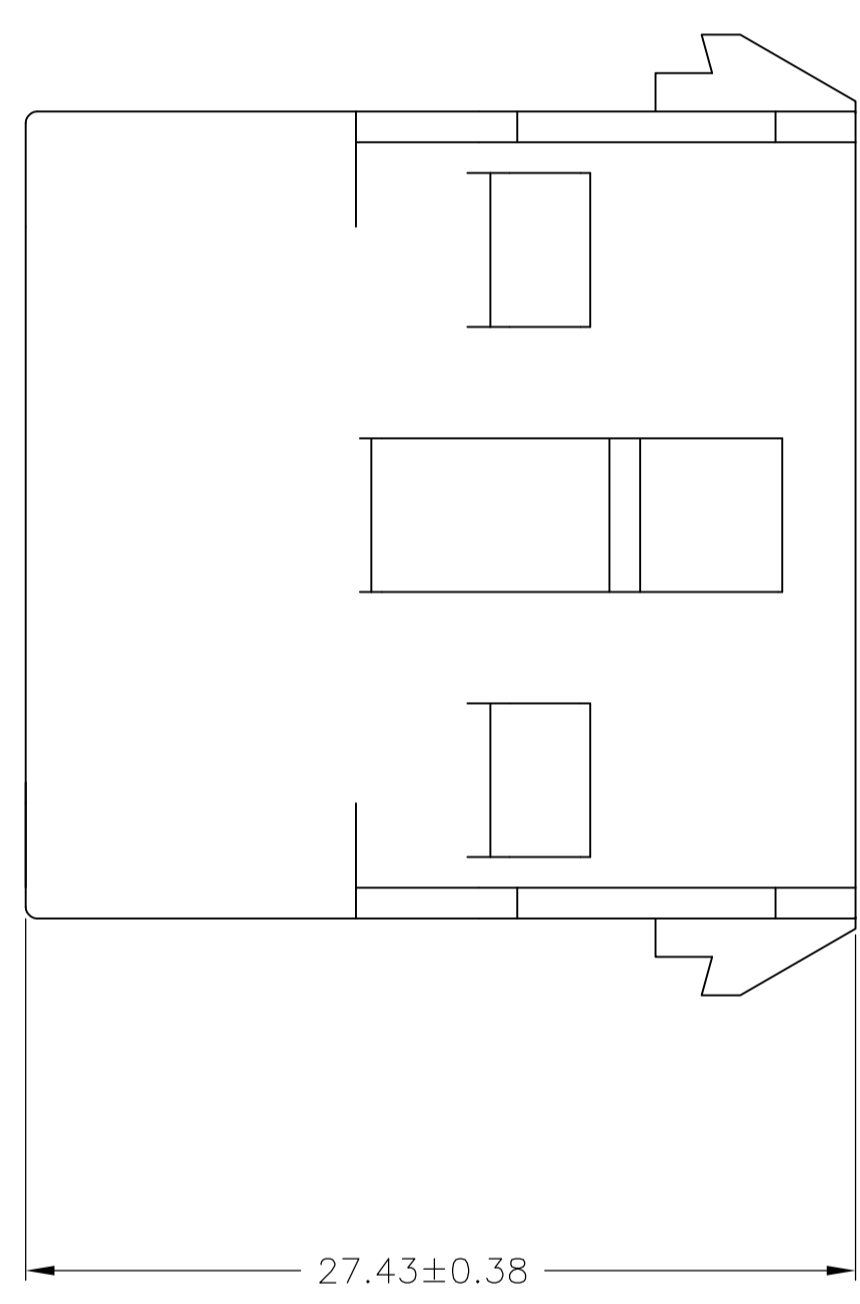
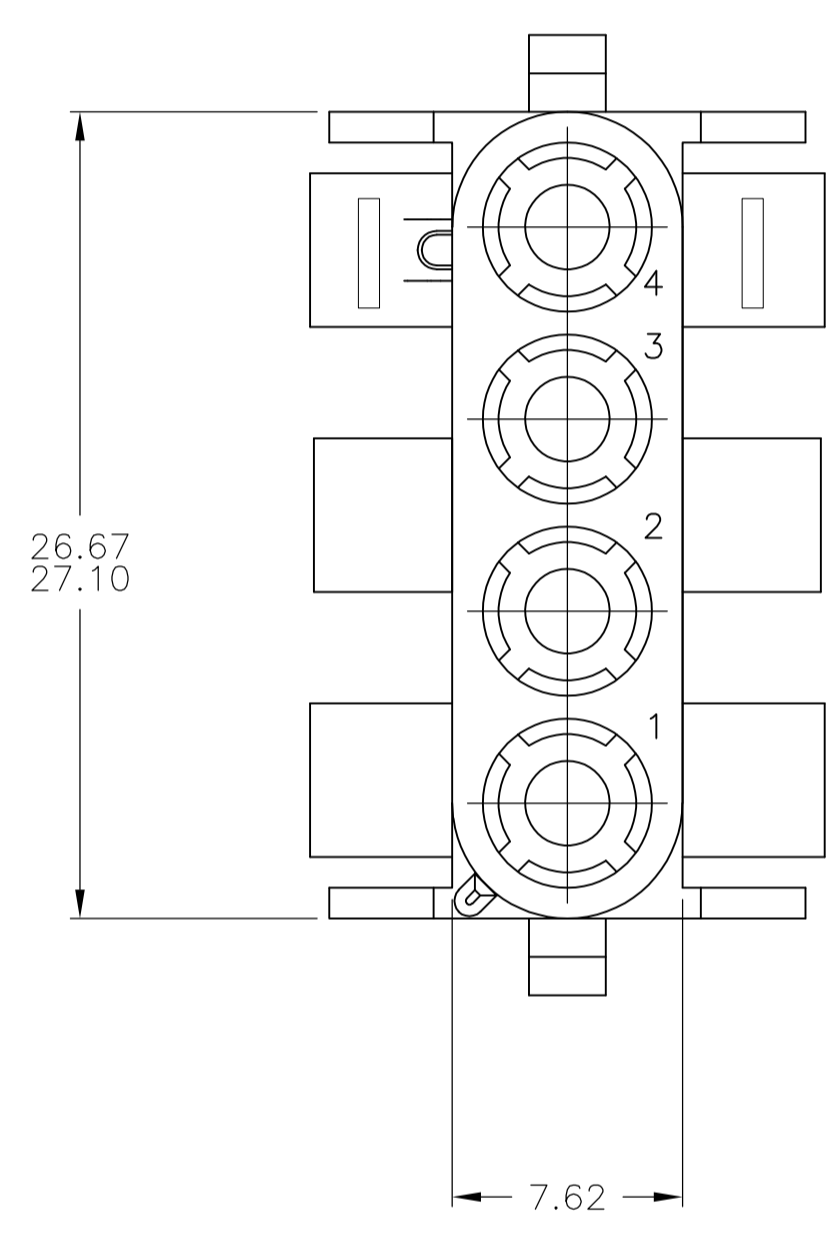
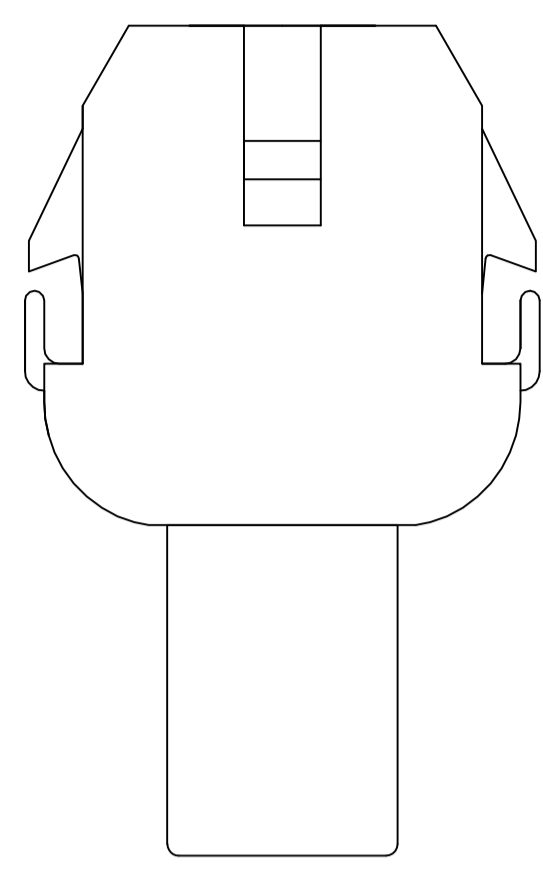
7.62	.300	27.43	1.080
6.35	.250	27.10	1.067
4.45	.175	27.05	1.065
2.79	.110	26.67	1.050
2.54	.100	13.46	.530
2.41	.095	13.41	.528
2.29	.090	12.96	.510
0.76	.030	8.64	.340
0.38	.015	8.13	.320
MM	IN	MM	IN

CONVERSION TABLE

11 OBSOLETE	COLOR	PART NO
	BLACK	1-480703-9
	GRAY	1-480703-8
	BLUE	1-480703-6
	GREEN	1-480703-5
	YELLOW	1-480703-4
	ORANGE	1-480703-3
	RED	1-480703-2
	BROWN	1-480703-1
	NATURAL	1-480703-0

THIS DRAWING IS A CONTROLLED DOCUMENT.

DIMENSIONS:	TOLERANCES UNLESS OTHERWISE SPECIFIED:	DIN K. WHITAKER 28JUL04	NAME
mm	0.150 ± 0.25	CHK S. RIDGILL 28JUL04	APPROVED S. RIDGILL 28JUL04
	0.300 ± 0.25	APPROVED S. RIDGILL 28JUL04	PRODUCT SPEC
	0.600 ± 0.25	APPROVED S. RIDGILL 28JUL04	APPLICATION SPEC
	0.900 ± 0.25	APPROVED S. RIDGILL 28JUL04	WEIGHT
	1.200 ± 0.25	APPROVED S. RIDGILL 28JUL04	CUSTOMER DRAWING
	1.500 ± 0.25	APPROVED S. RIDGILL 28JUL04	SCALE 4:1
	1.800 ± 0.25	APPROVED S. RIDGILL 28JUL04	SHEET 1 OF 2
	2.100 ± 0.25	APPROVED S. RIDGILL 28JUL04	REV AM4
	2.400 ± 0.25	APPROVED S. RIDGILL 28JUL04	
	2.700 ± 0.25	APPROVED S. RIDGILL 28JUL04	
	3.000 ± 0.25	APPROVED S. RIDGILL 28JUL04	
	3.300 ± 0.25	APPROVED S. RIDGILL 28JUL04	
	3.600 ± 0.25	APPROVED S. RIDGILL 28JUL04	
	3.900 ± 0.25	APPROVED S. RIDGILL 28JUL04	
	4.200 ± 0.25	APPROVED S. RIDGILL 28JUL04	
	4.500 ± 0.25	APPROVED S. RIDGILL 28JUL04	
	4.800 ± 0.25	APPROVED S. RIDGILL 28JUL04	
	5.100 ± 0.25	APPROVED S. RIDGILL 28JUL04	
	5.400 ± 0.25	APPROVED S. RIDGILL 28JUL04	
	5.700 ± 0.25	APPROVED S. RIDGILL 28JUL04	
	6.000 ± 0.25	APPROVED S. RIDGILL 28JUL04	
	6.300 ± 0.25	APPROVED S. RIDGILL 28JUL04	
	6.600 ± 0.25	APPROVED S. RIDGILL 28JUL04	
	6.900 ± 0.25	APPROVED S. RIDGILL 28JUL04	
	7.200 ± 0.25	APPROVED S. RIDGILL 28JUL04	
	7.500 ± 0.25	APPROVED S. RIDGILL 28JUL04	
	7.800 ± 0.25	APPROVED S. RIDGILL 28JUL04	
	8.100 ± 0.25	APPROVED S. RIDGILL 28JUL04	
	8.400 ± 0.25	APPROVED S. RIDGILL 28JUL04	
	8.700 ± 0.25	APPROVED S. RIDGILL 28JUL04	
	9.000 ± 0.25	APPROVED S. RIDGILL 28JUL04	
	9.300 ± 0.25	APPROVED S. RIDGILL 28JUL04	
	9.600 ± 0.25	APPROVED S. RIDGILL 28JUL04	
	9.900 ± 0.25	APPROVED S. RIDGILL 28JUL04	
	10.200 ± 0.25	APPROVED S. RIDGILL 28JUL04	
	10.500 ± 0.25	APPROVED S. RIDGILL 28JUL04	
	10.800 ± 0.25	APPROVED S. RIDGILL 28JUL04	
	11.100 ± 0.25	APPROVED S. RIDGILL 28JUL04	
	11.400 ± 0.25	APPROVED S. RIDGILL 28JUL04	
	11.700 ± 0.25	APPROVED S. RIDGILL 28JUL04	
	12.000 ± 0.25	APPROVED S. RIDGILL 28JUL04	
	12.300 ± 0.25	APPROVED S. RIDGILL 28JUL04	
	12.600 ± 0.25	APPROVED S. RIDGILL 28JUL04	
	12.900 ± 0.25	APPROVED S. RIDGILL 28JUL04	
	13.200 ± 0.25	APPROVED S. RIDGILL 28JUL04	
	13.500 ± 0.25	APPROVED S. RIDGILL 28JUL04	
	13.800 ± 0.25	APPROVED S. RIDGILL 28JUL04	
	14.100 ± 0.25	APPROVED S. RIDGILL 28JUL04	
	14.400 ± 0.25	APPROVED S. RIDGILL 28JUL04	
	14.700 ± 0.25	APPROVED S. RIDGILL 28JUL04	
	15.000 ± 0.25	APPROVED S. RIDGILL 28JUL04	
	15.300 ± 0.25	APPROVED S. RIDGILL 28JUL04	
	15.600 ± 0.25	APPROVED S. RIDGILL 28JUL04	
	15.900 ± 0.25	APPROVED S. RIDGILL 28JUL04	
	16.200 ± 0.25	APPROVED S. RIDGILL 28JUL04	
	16.500 ± 0.25	APPROVED S. RIDGILL 28JUL04	
	16.800 ± 0.25	APPROVED S. RIDGILL 28JUL04	
	17.100 ± 0.25	APPROVED S. RIDGILL 28JUL04	
	17.400 ± 0.25	APPROVED S. RIDGILL 28JUL04	
	17.700 ± 0.25	APPROVED S. RIDGILL 28JUL04	
	18.000 ± 0.25	APPROVED S. RIDGILL 28JUL04	
	18.300 ± 0.25	APPROVED S. RIDGILL 28JUL04	
	18.600 ± 0.25	APPROVED S. RIDGILL 28JUL04	
	18.900 ± 0.25	APPROVED S. RIDGILL 28JUL04	
	19.200 ± 0.25	APPROVED S. RIDGILL 28JUL04	
	19.500 ± 0.25	APPROVED S. RIDGILL 28JUL04	
	19.800 ± 0.25	APPROVED S. RIDGILL 28JUL04	
	20.100 ± 0.25	APPROVED S. RIDGILL 28JUL04	
	20.400 ± 0.25	APPROVED S. RIDGILL 28JUL04	
	20.700 ± 0.25	APPROVED S. RIDGILL 28JUL04	
	21.000 ± 0.25	APPROVED S. RIDGILL 28JUL04	
	21.300 ± 0.25	APPROVED S. RIDGILL 28JUL04	
	21.600 ± 0.25	APPROVED S. RIDGILL 28JUL04	
	21.900 ± 0.25	APPROVED S. RIDGILL 28JUL04	
	22.200 ± 0.25	APPROVED S. RIDGILL 28JUL04	
	22.500 ± 0.25	APPROVED S. RIDGILL 28JUL04	
	22.800 ± 0.25	APPROVED S. RIDGILL 28JUL04	
	23.100 ± 0.25	APPROVED S. RIDGILL 28JUL04	
	23.400 ± 0.25	APPROVED S. RIDGILL 28JUL04	
	23.700 ± 0.25	APPROVED S. RIDGILL 28JUL04	
	24.000 ± 0.25	APPROVED S. RIDGILL 28JUL04	
	24.300 ± 0.25	APPROVED S. RIDGILL 28JUL04	
	24.600 ± 0.25	APPROVED S. RIDGILL 28JUL04	
	24.900 ± 0.25	APPROVED S. RIDGILL 28JUL04	
	25.200 ± 0.25	APPROVED S. RIDGILL 28JUL04	
	25.500 ± 0.25	APPROVED S. RIDGILL 28JUL04	
	25.800 ± 0.25	APPROVED S. RIDGILL 28JUL04	
	26.100 ± 0.25	APPROVED S. RIDGILL 28JUL04	
	26.400 ± 0.25	APPROVED S. RIDGILL 28JUL04	
	26.700 ± 0.25	APPROVED S. RIDGILL 28JUL04	
	27.000 ± 0.25	APPROVED S. RIDGILL 28JUL04	
	27.300 ± 0.25	APPROVED S. RIDGILL 28JUL04	
	27.600 ± 0.25	APPROVED S. RIDGILL 28JUL04	
	27.900 ± 0.25	APPROVED S. RIDGILL 28JUL04	
	28.200 ± 0.25	APPROVED S. RIDGILL 28JUL04	
	28.500 ± 0.25	APPROVED S. RIDGILL 28JUL04	
	28.800 ± 0.25	APPROVED S. RIDGILL 28JUL04	
	29.100 ± 0.25	APPROVED S. RIDGILL 28JUL04	
	29.400 ± 0.25	APPROVED S. RIDGILL 28JUL04	
	29.700 ± 0.25	APPROVED S. RIDGILL 28JUL04	
	30.000 ± 0.25	APPROVED S. RIDGILL 28JUL04	
	30.300 ± 0.25	APPROVED S. RIDGILL 28JUL04	
	30.600 ± 0.25	APPROVED S. RIDGILL 28JUL04	
	30.900 ± 0.25	APPROVED S. RIDGILL 28JUL04	
	31.200 ± 0.25	APPROVED S. RIDGILL 28JUL04	
	31.500 ± 0.25	APPROVED S. RIDGILL 28JUL04	
	31.800 ± 0.25	APPROVED S. RIDGILL 28JUL04	
	32.100 ± 0.25	APPROVED S. RIDGILL 28JUL04	
	32.400 ± 0.25	APPROVED S. RIDGILL 28JUL04	
	32.700 ± 0.25	APPROVED S. RIDGILL 28JUL04	
	33.000 ± 0.25	APPROVED S. RIDGILL 28JUL04	
	33.300 ± 0.25	APPROVED S. RIDGILL 28JUL04	
	33.600 ± 0.25	APPROVED S. RIDGILL 28JUL04	
	33.900 ± 0.25	APPROVED S. RIDGILL 28JUL04	
	34.200 ± 0.25	APPROVED S. RIDGILL 28JUL04	
	34.500 ± 0.25	APPROVED S. RIDGILL 28JUL04	
	34.800 ± 0.25	APPROVED S. RIDGILL 28JUL04	
	35.100 ± 0.25	APPROVED S. RIDGILL 28JUL04	
	35.400 ± 0.25	APPROVED S. RIDGILL 28JUL04	
	35.700 ± 0.25	APPROVED S. RIDGILL 28JUL04	
	36.000 ± 0.25	APPROVED S. RIDGILL 28JUL04	
	36.300 ± 0.25	APPROVED S. RIDGILL 28JUL04	
	36.600 ± 0.25	APPROVED S. RIDGILL 28JUL04	
	36.900 ± 0.25	APPROVED S. RIDGILL 28JUL04	
	37.200 ± 0.25	APPROVED S. RIDGILL 28JUL04	
	37.500 ± 0.25	APPROVED S. RIDGILL 28JUL04	
	37.800 ± 0.25	APPROVED S. RIDGILL 28JUL04	
	38.100 ± 0.25	APPROVED S. RIDGILL 28JUL04	
	38.400 ± 0.25	APPROVED S. RIDGILL 28JUL04	
	38.700 ± 0.25	APPROVED S. RIDGILL 28JUL04	
	39.000 ± 0.25	APPROVED S. RIDGILL 28JUL04	
	39.300 ± 0.25	APPROVED S. RIDGILL 28JUL04	
	39.600 ± 0.25	APPROVED S. RIDGILL 28JUL04	
	39.900 ± 0.25	APPROVED S. RIDGILL 28JUL04	
	40.200 ± 0.25	APPROVED S. RIDGILL 28JUL04	
	40.500 ± 0.25	APPROVED S. RIDGILL 28JUL04	
	40.800 ± 0.25	APPROVED S. RIDGILL 28JUL04	
	41.100 ± 0.25	APPROVED S. RIDGILL 28JUL04	
	41.400 ± 0.25	APPROVED S. RIDGILL 28JUL04	
	41.700 ± 0.25	APPROVED S. RIDGILL 28JUL04	
	42.000 ± 0.25	APPROVED S. RIDGILL 28JUL04	
	42.300 ± 0.25	APPROVED S. RIDGILL 28JUL04	
	42.600 ± 0.25	APPROVED S. RIDGILL 28JUL04	
	42.900 ± 0.25	APPROVED S. RIDGILL 28JUL04	
	43.200 ± 0.25	APPROVED S. RIDGILL 28JUL04	
	43.500 ± 0.25	APPROVED S. RIDGILL 28JUL04	
	43.800 ± 0.25	APPROVED S. RIDGILL 28JUL04	
	44.100 ± 0.25	APPROVED S. RIDGILL 28JUL04	
	44.400 ± 0.25	APPROVED S. RIDGILL 28JUL04	
	44.700 ± 0.25	APPROVED S. RIDGILL 28JUL04	
	45.000 ± 0.25	APPROVED S. RIDGILL 28JUL04	
	45.300 ± 0.25	APPROVED S. RIDGILL 28JUL04	
	45.600 ± 0.25	APPROVED S. RIDGILL 28JUL04	
	45.900 ± 0.25	APPROVED S. RIDGILL 28JUL04	
	46.200 ± 0.25	APPROVED S. RIDGILL 28JUL04	
	46.500 ± 0.25	APPROVED S. RIDGILL 28JUL04	
	46.800 ± 0.25	APPROVED S. RIDGILL 28JUL04	
	47.100 ± 0.25	APPROVED S. RIDGILL 28JUL04	
	47.400 ± 0.25	APPROVED S. RIDGILL 28JUL04	
	47.700 ± 0.25	APPROVED S. RIDGILL 28JUL04	
	48.000 ± 0.25	APPROVED S. RIDGILL 28JUL04	
	48.300 ± 0.25	APPROVED S. RIDGILL 28JUL04	
	48.600 ± 0.25	APPROVED S. RIDGILL 28JUL04	
	48.900 ± 0.25	APPROVED S. RIDGILL 28JUL04	
	49.200 ± 0.25	APPROVED S. RIDGILL 28JUL04	
	49.500 ± 0.25	APPROVED S. RIDGILL 28JUL04	
	49.800 ± 0.25	APPROVED S. RIDGILL 28JUL04	
	50.100 ± 0.25	APPROVED S. RIDGILL 28JUL04	
	50.400 ± 0.25	APPROVED S. RIDGILL 28JUL04	
	50.700 ± 0.25	APPROVED S. RIDGILL 28JUL04	
	51.000 ± 0.25	APPROVED S. RIDGILL 28JUL04	
	51.300 ± 0.25	APPROVED S. RIDGILL 28JUL04	
	51.600 ± 0.25	APPROVED S. RIDGILL 28JUL04	
	51.900 ± 0.25	APPROVED S. RIDGILL 28JUL04	
	52.200 ± 0.25	APPROVED S. RIDGILL 28JUL04	
	52.500 ± 0.25	APPROVED S. RIDGILL 28JUL04	
	52.800 ± 0.25	APPROVED S. RIDGILL 28JUL04	



1. STAMP NUMBERS 3.18 HIGH AT WIRE END OF HOUSING (12 POINT DAVID TYPE).
2. CHARACTERS TO BE STAMPED ON HOUSING IN A MANNER AS TO BE READ FROM WIRE END ONLY.
3. VIOLET, BLACK, BROWN AND BLUE COLORED BLOCKS TO BE STAMPED WITH WHITE CHARACTERS. ALL OTHER COLORED BLOCKS TO BE STAMPED WITH BLACK CHARACTERS.

8.13	.320	-	-
7.62	.300	27.43	1.080
5.08	.200	27.10	1.067
4.70	.185	26.67	1.050
3.18	.125	13.41	.528
0.38	.015	12.96	.510
MM	IN	MM	IN

CONVERSION TABLE

NATURAL	2-480703-0
COLOR	PART NO

THIS DRAWING IS A CONTROLLED DOCUMENT.		DWG: K. WHITAKER 28JUL04	TE Connectivity	
DIMENSIONS: mm		CHK: S. RIDGILL 28JUL04	NAME: CAP, 4 CIRCUIT, UNIVERSAL MATE-N-LOK(TM)	
TOLERANCES UNLESS OTHERWISE SPECIFIED:		APVD: S. RIDGILL	PRODUCT SPEC: -	
0. PLC ± -		APPLICATION SPEC: -		
1. PLC ± -		SIZE: A1		
2. PLC ± 0.25		CAGE CODE: 480703		
3. PLC ± -		DRAWING NO: 480703		
4. PLC ± -		RESTRICTED TO: -		
ANGLES ± 0°30'		WEIGHT: -		
MATERIAL: NYLON, UL94V-2	FINISH: -	CUSTOMER DRAWING		
		SCALE: 4:1	SHEET: 2 OF 2	REV: AM4

# Mouser Electronics

Authorized Distributor

Click to View Pricing, Inventory, Delivery & Lifecycle Information:

[TE Connectivity:](#)

[1-480703-0](#)