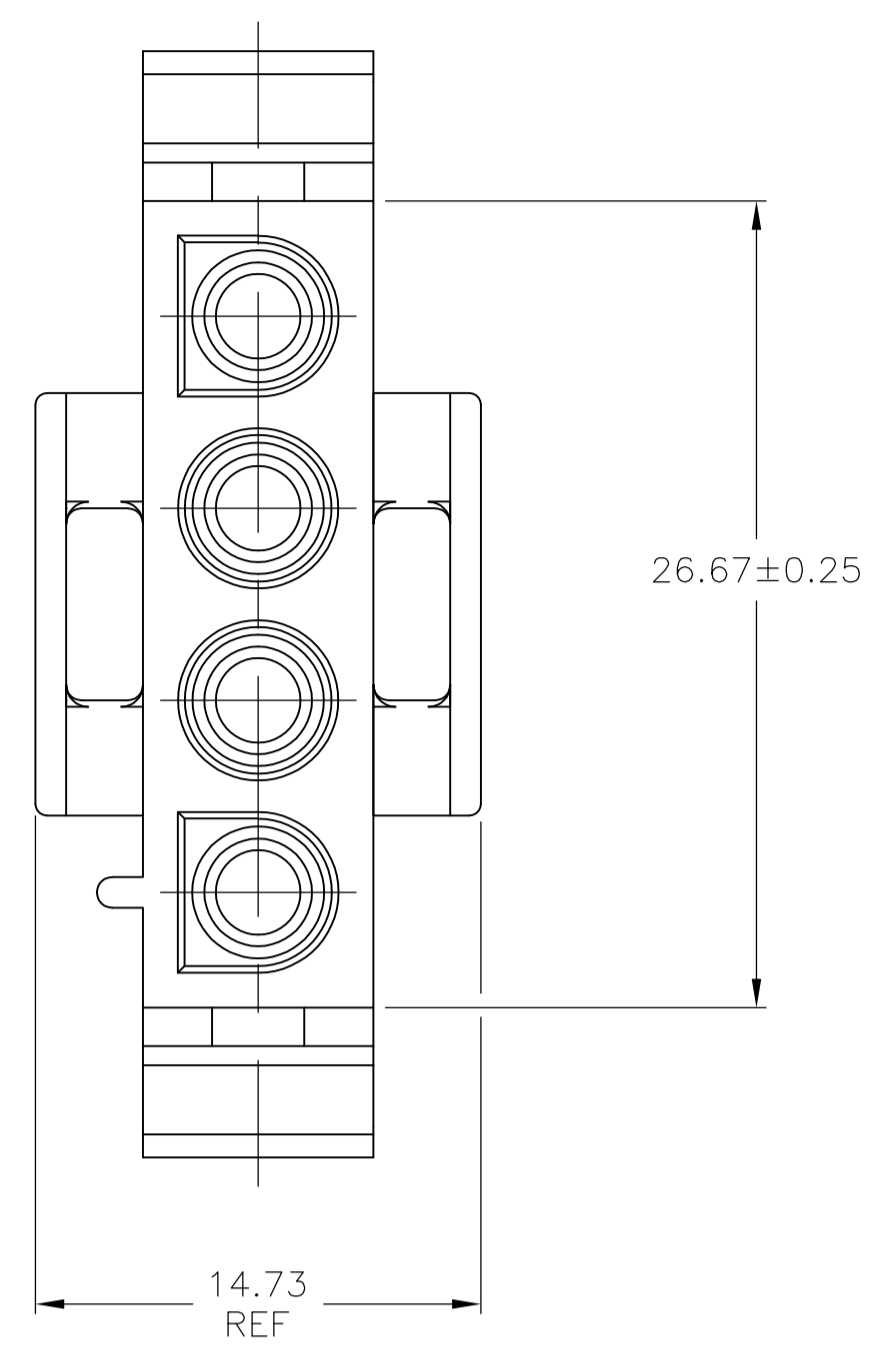
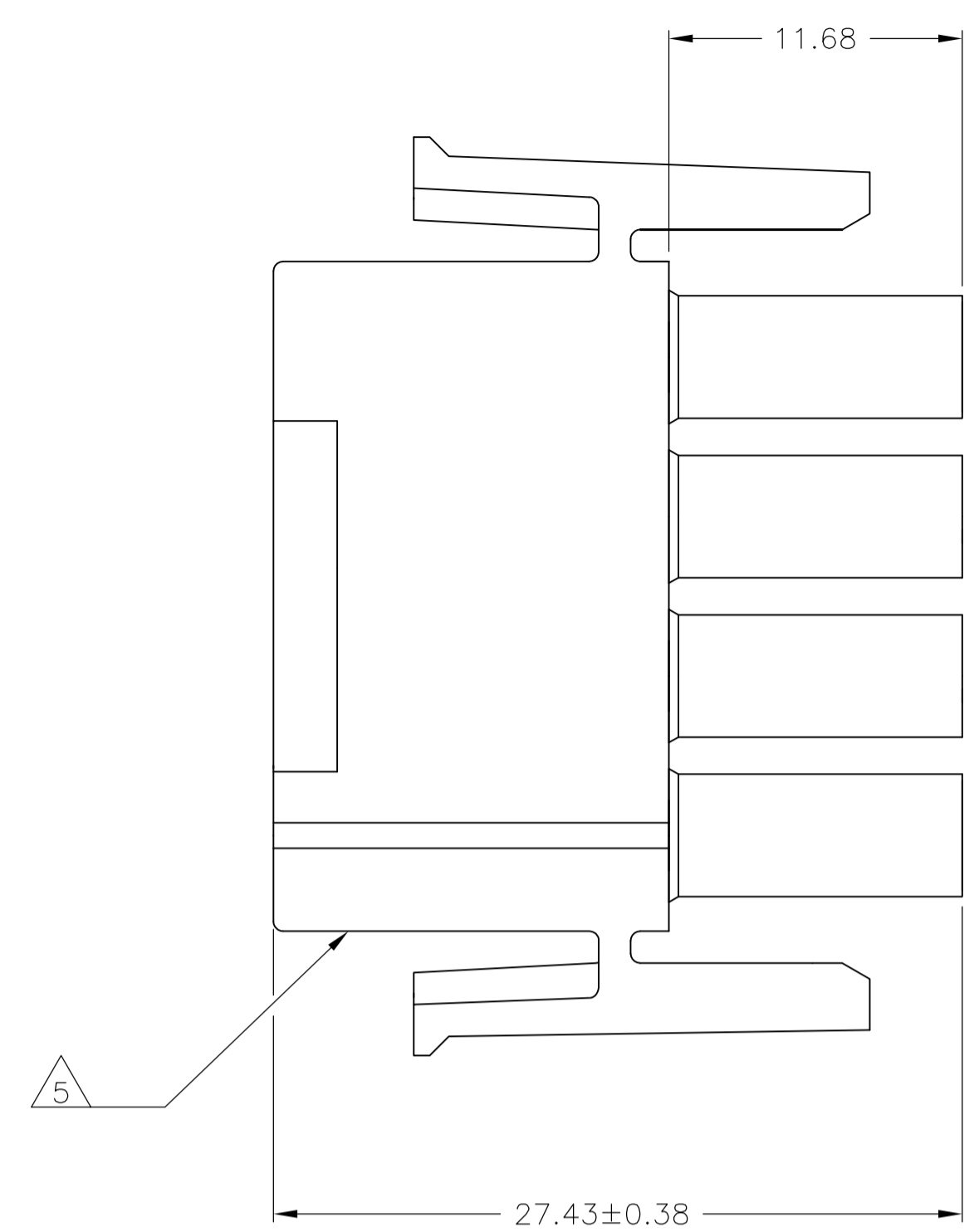
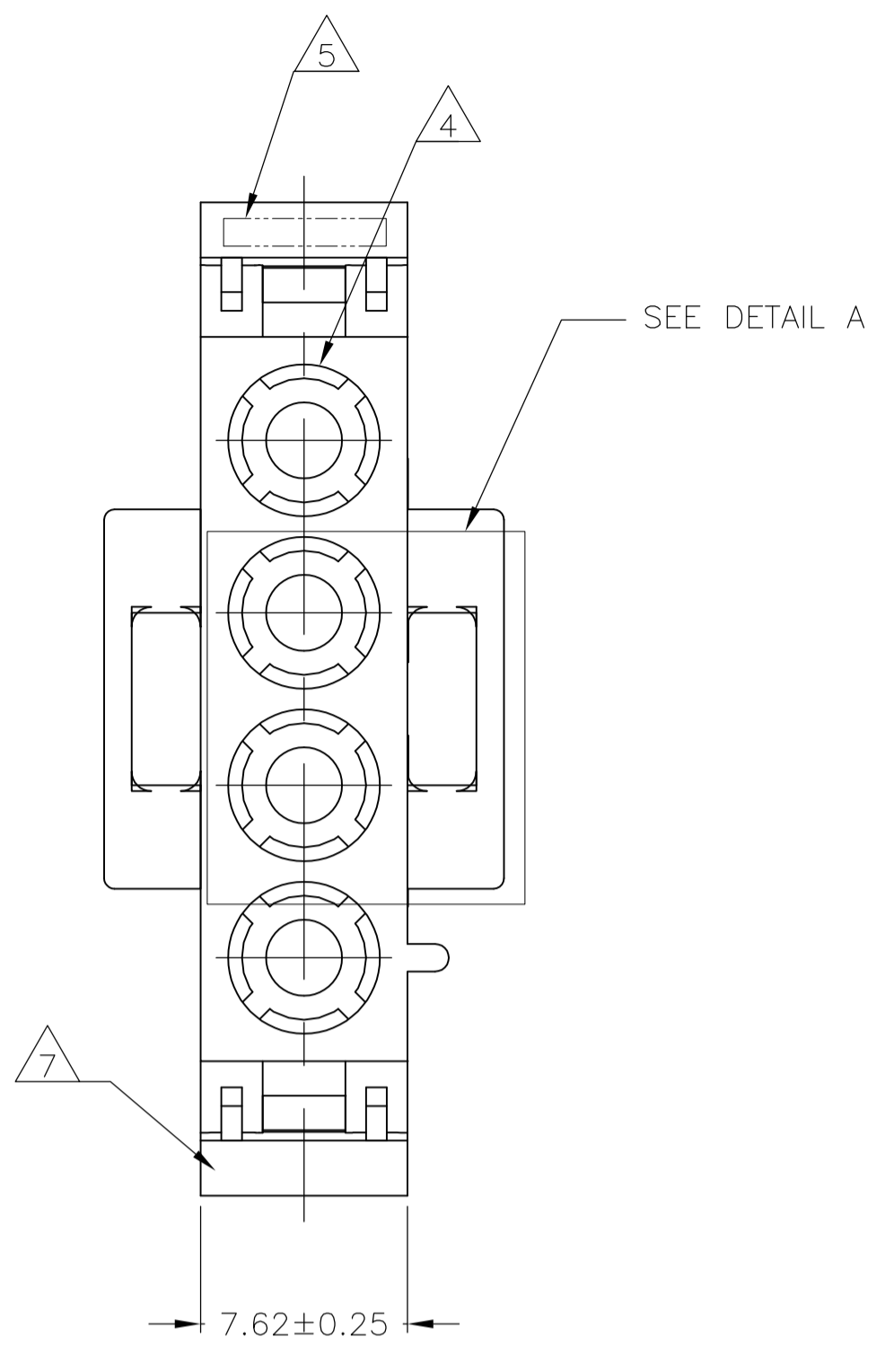
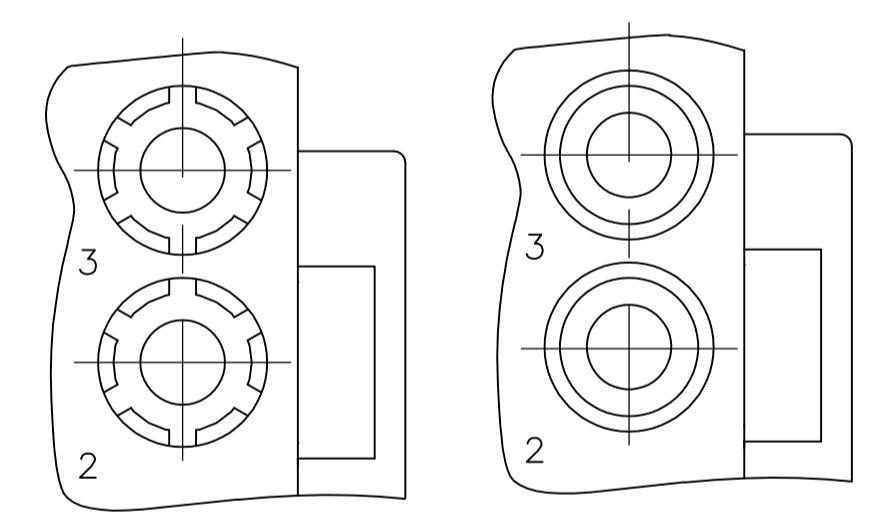
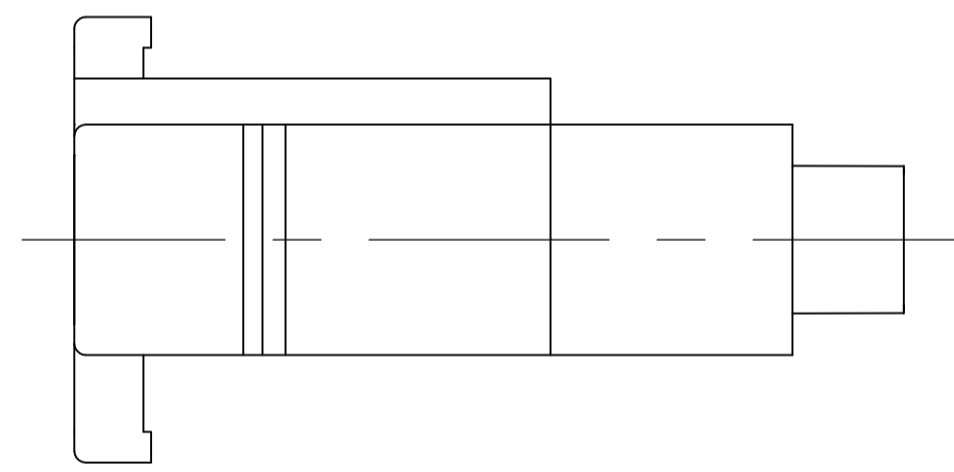


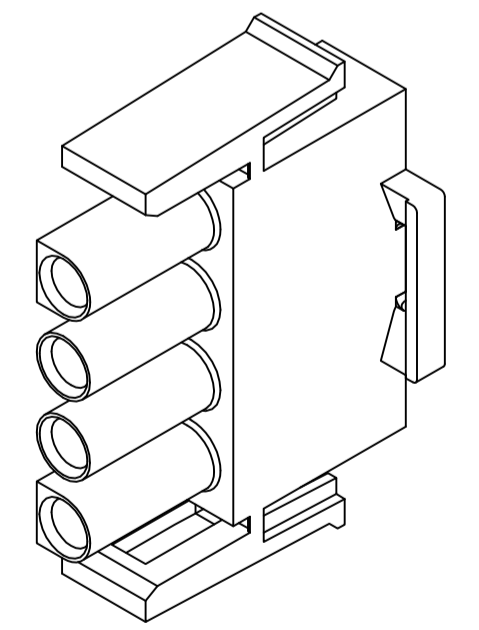
LOC	DIST	REVISIONS			
P	LTR	DESCRIPTION	DATE	DMN	APVD
CM	0				
AP3		REVISED PER ECR-17-008392	26JUN2017	BW	KR



- NOTES:
- MATES WITH APPROPRIATE UNIVERSAL MATE-N-LOK™ CAP OR HEADER.
 - SMALL NICKS ARE PERMITTED ON THE CIRCUIT TOWERS WHICH COULD INCREASE THE INITIAL HOUSING MATING FORCE BY UP TO 4.4 NEWTONS [1.0 LBS]. NO INDIVIDUAL NICKED TOWER SHALL INCREASE THIS FORCE BY OVER 2.2 NEWTONS [.5 LBS].
 - DIMENSIONS SHOWN REPRESENT PRODUCT IN DRY, AS MOLDED, CONDITION. ADDITIONAL 2% GROWTH DUE TO SUBSEQUENT MOISTURE ABSORPTION MAY OCCUR AND SHOULD BE ACCOUNTED FOR.
- 4 FOUR RIBS EQUALLY SPACED, NO SPECIFIC ORIENTATION. NO RIBS OR SIX RIBS EQUALLY SPACED, NO SPECIFIC ORIENTATION, OPTIONAL.
- 5 UNDERWRITERS RECOGNIZED COMPONENT LOGO AND CSA CERTIFICATION LOGO TO BE LOCATED ONCE EACH ON SIDE OF HOUSING.
- 6 TRADEMARK LOCATION (AMP OR TE CONNECTIVITY).
- 7 MANUFACTURING LOCATION ID (OPTIONAL).
- 8 OBSOLETE PARTS: OBSOLETE CIS STREAMLINING PER D.RENAUD/D.SINISI



DETAIL A
OPTIONAL CONSTRUCTION



3-DIMENSIONAL MODEL
NTS

MM	IN
27.43	1.080
26.67	1.050
14.73	.580
11.68	.460
7.62	.300
0.38	.015
0.25	.010
0.13	.005
MM	IN

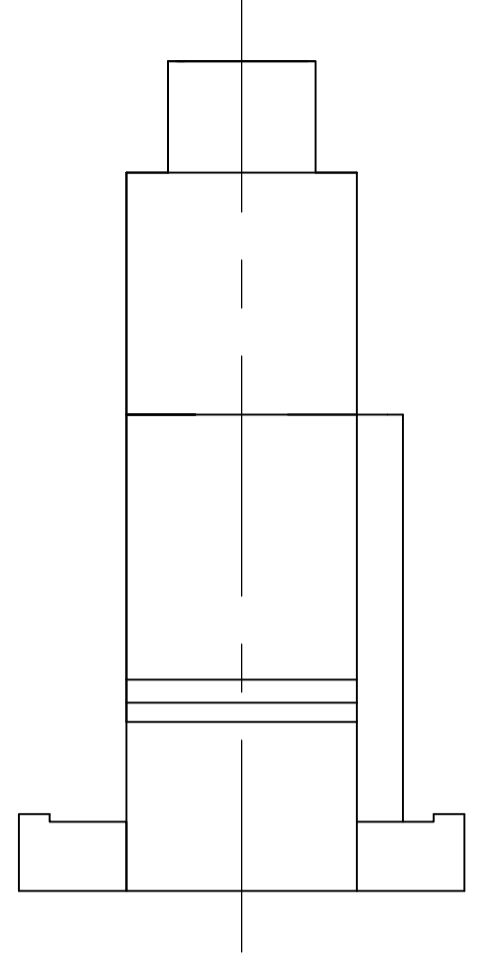
CONVERSION TABLE

8	OBSOLETE	BLACK	1-480702-9
		GRAY	1-480702-8
		BLUE	1-480702-6
		GREEN	1-480702-5
8	SUPERSEDED BY 1-480700-0	YELLOW	1-480702-4
		ORANGE	1-480702-3
		RED	1-480702-2
		BROWN	1-480702-1
		NATURAL	1-480702-0
		COLOR	PART NUMBER

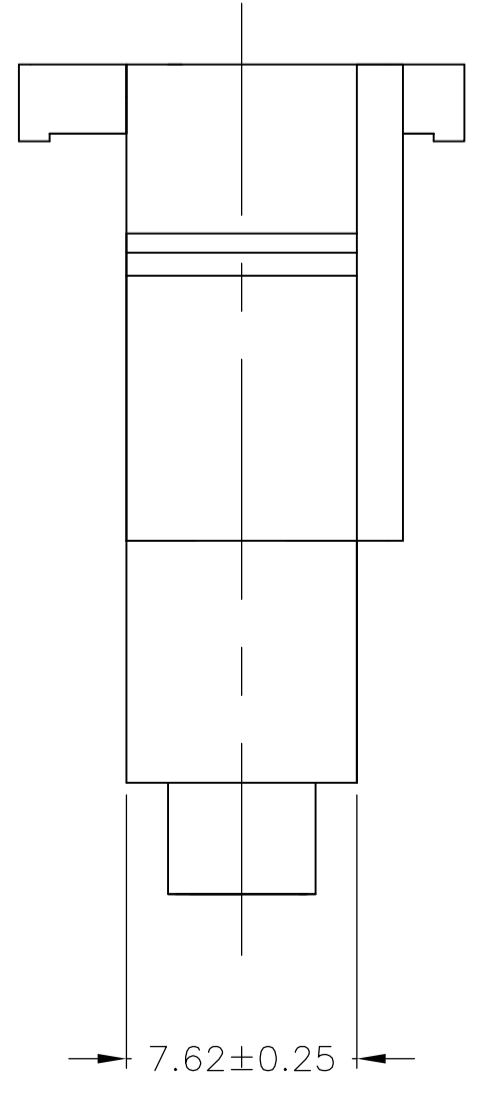
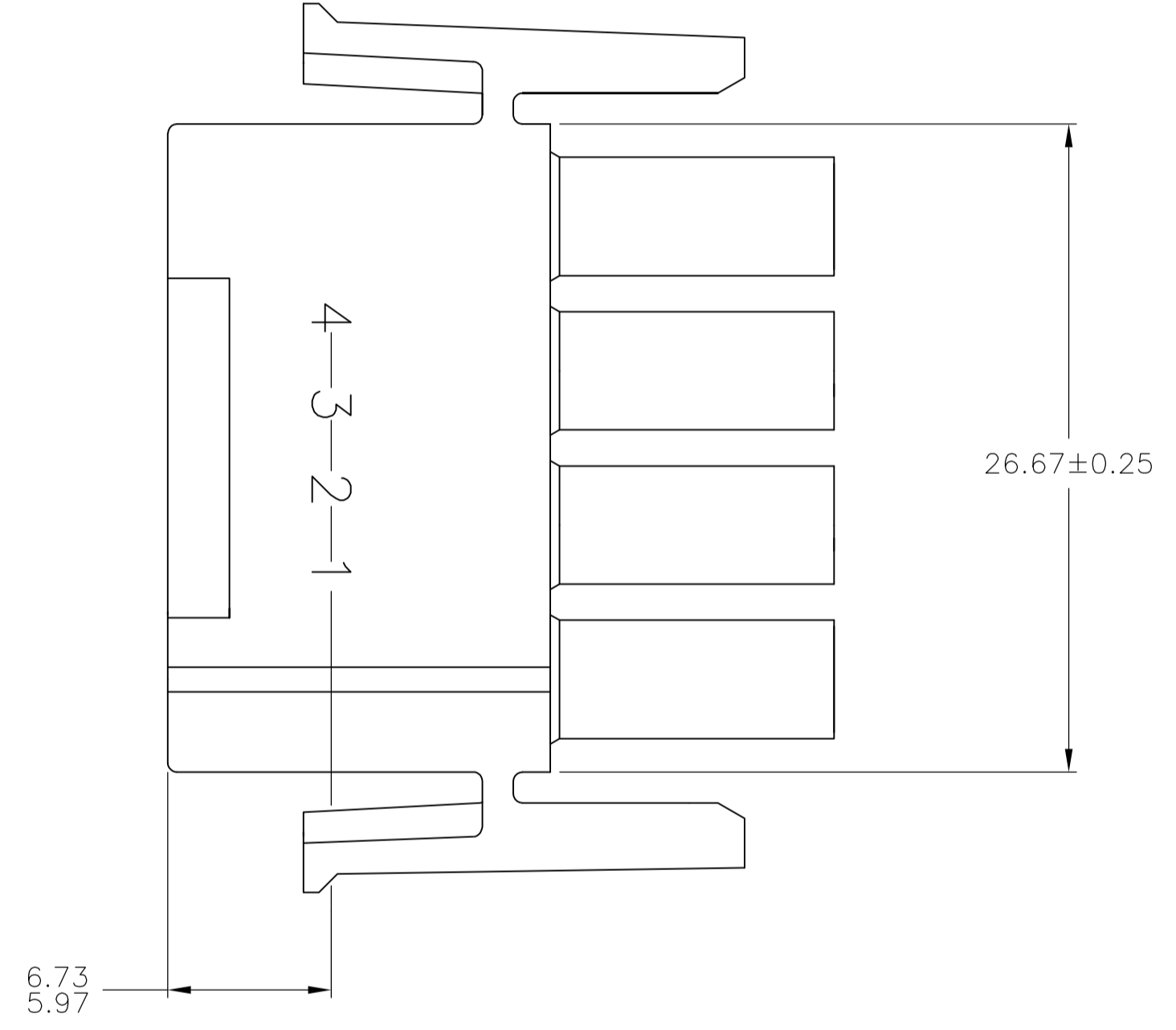
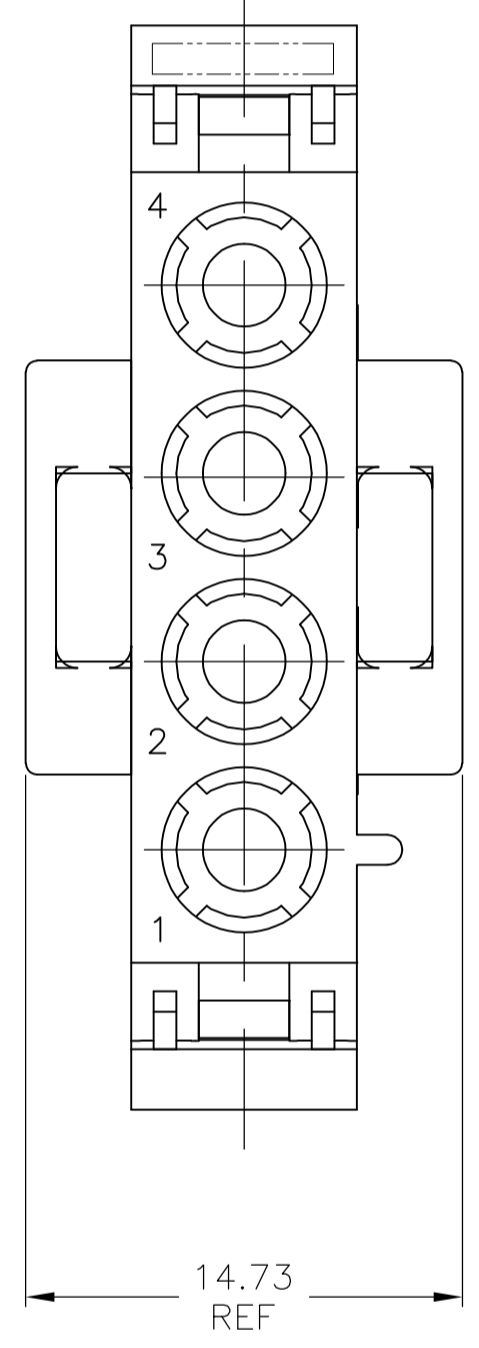
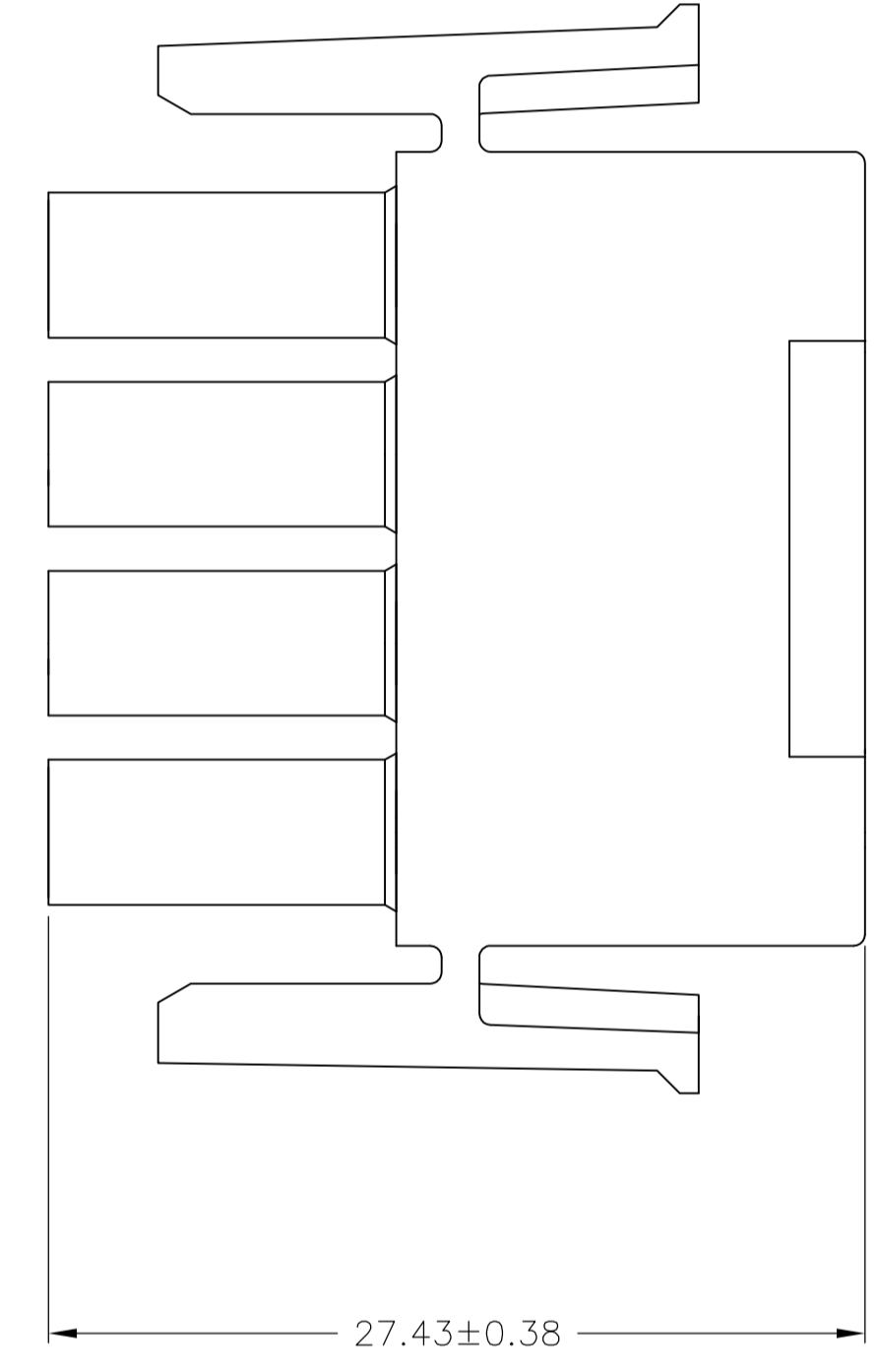
THIS DRAWING IS A CONTROLLED DOCUMENT.

DIMENSIONS:	TOLERANCES UNLESS OTHERWISE SPECIFIED:	DIN R VESTAL 08FEB95	STE	TE Connectivity
mm	0. PLC ± -	CHK R SWING 08FEB95		
	1. PLC ± -	APVD D SELF 08FEB95	NAME	PLUG, 4 CIRCUIT, UNIVERSAL MATE-N-LOK(TM)
	2. PLC ± 0.13	PRODUCT SPEC	SIZE	A1
	3. PLC ± -	APPLICATION SPEC	WEIGHT	00779
	4. PLC ± -		CAGE CODE	480702
	ANGLES ± 0°30'		DRAWING NO	480702
MATERIAL NYLON, UL 94V-2	FINISH -		RESTRICTED TO	
			CUSTOMER DRAWING	SCALE 4:1 SHEET 1 OF 2 REV AP3

LOC	DIST	REVISIONS			
P	LTR	DESCRIPTION	DATE	DMN	APVD
CM	0	SEE SHEET 1	-	-	-



- NOTES:
1. STAMP NUMBERS 3.18 HIGH AT WIRE END OF HOUSING (12 POINT DAVID TYPE).
 2. CHARACTERS TO BE POSITIONED ON HOUSING TO BE READ FROM WIRE END ONLY.
 3. VIOLET, BLACK, BROWN AND BLUE COLORED BLOCKS TO BE STAMPED WITH WHITE CHARACTERS. ALL OTHER COLORED BLOCKS TO BE STAMPED WITH BLACK CHARACTERS.



6.73	.265	-	-
5.97	.235	-	-
3.18	.125	27.43	1.080
0.38	.015	26.67	1.050
0.25	.010	14.73	.580
0.13	.005	7.62	.300
MM	IN	MM	IN

CONVERSION TABLE

NATURAL COLOR	2-480702-0
	PART NUMBER

THIS DRAWING IS A CONTROLLED DOCUMENT.		DIN R VESTAL 08FEB95	TE Connectivity	
DIMENSIONS: mm		CHK R SWING 08FEB95	PLUG, 4 CIRCUIT, UNIVERSAL MATE-N-LOK(TM)	
TOLERANCES UNLESS OTHERWISE SPECIFIED:		APVD D SELF 08FEB95	RESTRICTED TO	
0 PLC ± -		NAME	SIZE	
1 PLC ± -		PRODUCT SPEC	CAGE CODE	
2 PLC ± 0.13		APPLICATION SPEC	DRAWING NO	
3 PLC ± -		WEIGHT	A1 00779	
4 PLC ± -		FINISH	C=480702	
ANGLES ± 0°30'		MATERIAL NYLON, UL 94V-2	CUSTOMER DRAWING	
		SCALE 4:1	SHEET 2 OF 2	
				REV AP3

Mouser Electronics

Authorized Distributor

Click to View Pricing, Inventory, Delivery & Lifecycle Information:

[TE Connectivity:](#)

[1-480702-0](#)