

THIS DRAWING IS UNPUBLISHED. RELEASED FOR PUBLICATION  
 © COPYRIGHT - By - ALL RIGHTS RESERVED.

LOC	DIST	REVISIONS			
P	LTR	DESCRIPTION	DATE	DWN	APVD
AD	00	AM3	REVISED PER ECO-11-004587	11MAR11	RK HMR

- FOR ADDITIONAL SPECIFICATIONS SEE AMP PRODUCT SPEC 108-7532.
- SWITCH SHOWN IN OPEN POSITION.
- ALL CHARACTERS AND ROCKERS ARE WHITE, HOUSING IS BLUE.
- STAMPING WILL VARY ON 2 AND 3 POSITION SIDES DUE TO SPACE RESTRICTIONS.

- △5 .315 DIMENSION APPLIES AT TERMINAL TIPS. TERMINALS ARE .300-.000 AT MOUNTING SURFACE.
- △6 STRIPPABLE TRANSPARENT SEAL, SEE FIG 1.

△	OBSELETE	FIG				
△	OBSELETE	FIG 6	1.08	10	6-435640-1	
			.58	5	6-435640-0	
			.48	4	5-435640-9	
			.88	8	5-435640-8	
			.98	9	5-435640-7	
			.68	6	5-435640-6	
			.58	5	5-435640-5	
			.48	4	5-435640-4	
			.88	8	5-435640-3	
			.88	8	5-435640-2	
			1.08	10	5-435640-1	
			.88	8	5-435640-0	
			.88	8	4-435640-9	
			.58	5	4-435640-8	
			1.08	10	4-435640-7	
			1.28	12	4-435640-3	
			1.08	10	4-435640-1	
			.98	9	4-435640-0	
			.88	8	3-435640-9	
			.78	7	3-435640-8	
			.68	6	3-435640-7	
			.58	5	3-435640-6	
			.48	4	3-435640-5	
			.38	3	3-435640-4	
			.28	2	3-435640-3	
			1.28	12	3-435640-2	
			.38	3	3-435640-0	
			.28	2	2-435640-9	
			.78	7	2-435640-2	
			1.08	10	435640-7	
			.98	9	435640-6	
			.88	8	435640-5	
			.68	6	435640-4	
			.58	5	435640-3	
			.48	4	435640-2	
			.78	7	435640-1	

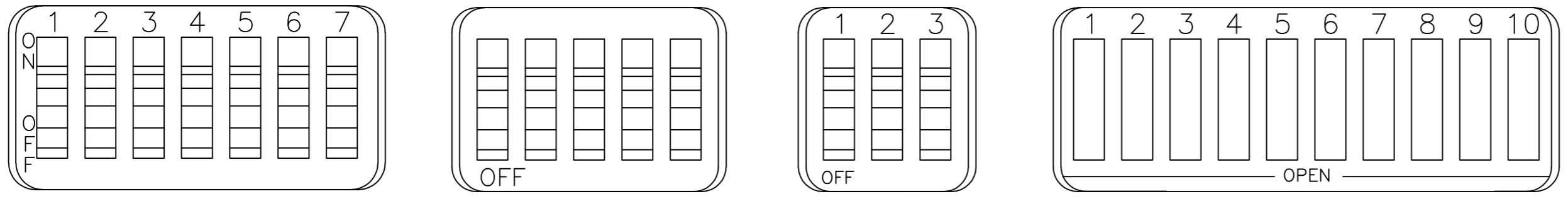
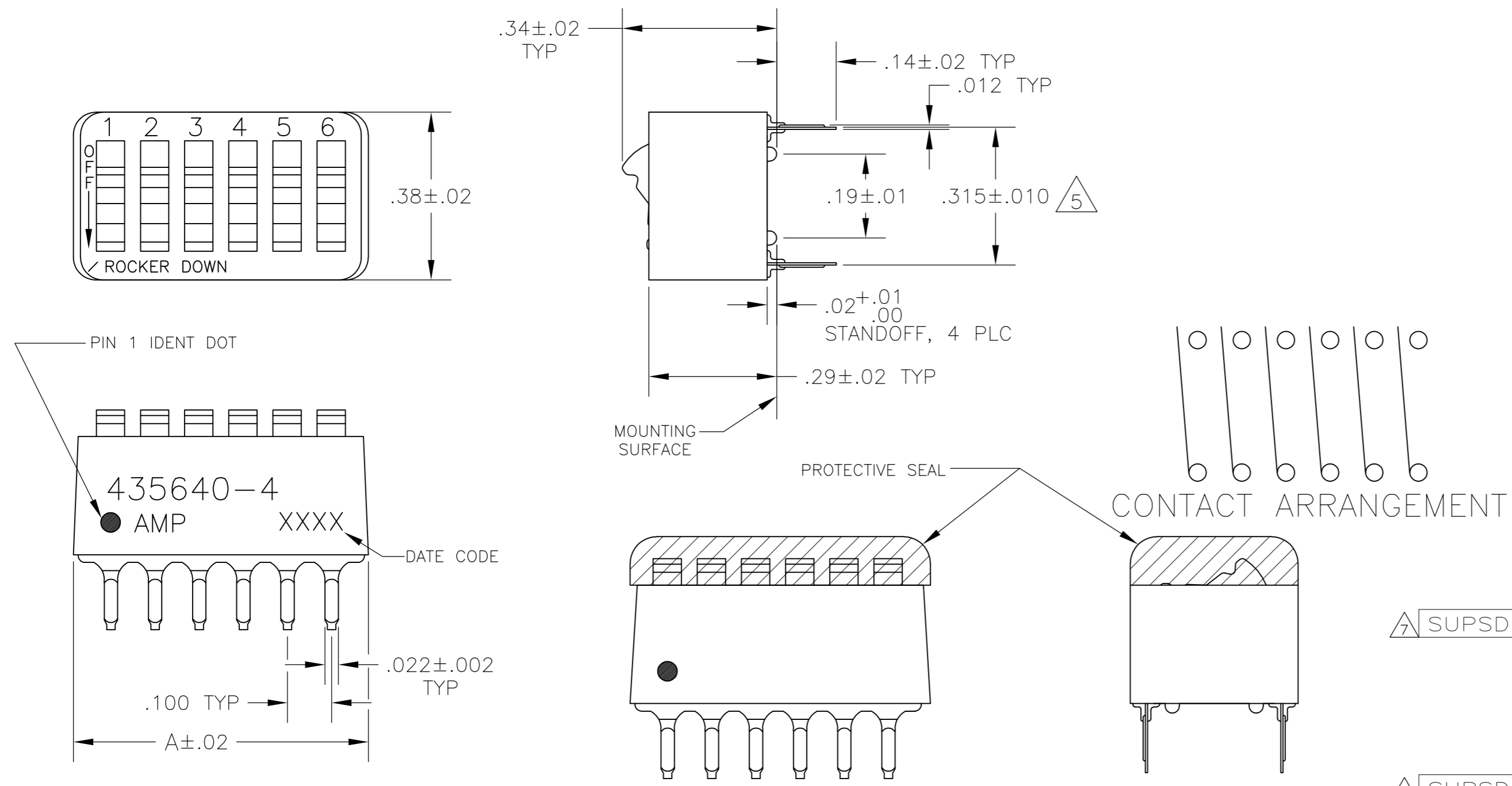


FIG 2      FIG 3      FIG 4      FIG 5

FIG 6      FIG 7

△7 OBSOLETE PARTS: OBSOLETE CIS STREAMLINING PER D.RENAUD/D.SINISI

THIS DRAWING IS A CONTROLLED DOCUMENT.		DWN	R.TALLEY	15NOV89
DIMENSIONS: INCHES		CHK	R.L.MILLER	06MARGO
TOLERANCES UNLESS OTHERWISE SPECIFIED:		APVD	H.LEITER	06MARGO
0 PLC ± -		PRODUCT SPEC		
1 PLC ± -		APPLICATION SPEC		
2 PLC ± -		WEIGHT	-	
3 PLC ± .005		SCALE	A2 00779	
4 PLC ± -		SHEET	1 OF 1	
ANGLES ± -		REV	AM3	
FINISH		CUSTOMER DRAWING		
HOUSING & ROCKERS; POLYESTER		CONTACTS: PLATED .000030 MIN GOLD IN CONTACT AREA OVER .000050 MIN NICKEL		
CONTACTS; COPPER ALLOY		SCALE 4:1		

**TE** TE Connectivity

NAME: SWITCH ASSY, DIP, TYPE C, 7100 SERIES, SPST, STANDARD

SIZE: A2    CAGE CODE: 00779    DRAWING NO: 435640    RESTRICTED TO: -

# Mouser Electronics

Authorized Distributor

Click to View Pricing, Inventory, Delivery & Lifecycle Information:

[TE Connectivity:](#)

[3-435640-5](#)