

Hall Effect Current Sensors L18P***S05 Series

Features:

- Open Loop type
- Printed circuit board mounting
- Integrated primary
- Unipolar power supply
- Busbar version from 40A to 60A
- Insulated plastic case according to UL94V0
- UL Recognition

Advantage:

- Excellent accuracy and linearity
- Wide nominal current range
- Low temperature drift
- Wide frequency bandwidth
- No insertion loss
- High Immunity To External Interference
- Optimised response time
- Current overload capability



Specifications

 $T_A=25^{\circ}\text{C}$, $V_{CC}=+5\text{V}$, $R_L=10\text{k}\Omega$

Parameters	Symbol	L18P003 S05	L18P005 S05	L18P010 S05	L18P015 S05	L18P020 S05	L18P025 S05	L18P030 S05	L18P040 S05	L18P050 S05	L18P060 S05
Primary nominal current	I_f	3A	5A	10A	15A	20A	25A	30A	40A	50A	60A
Saturation current ¹	I_{fmax}	$\geq \pm I_f \times 1.5$									
Rated output voltage	V_o	$V_{of} + 1.5\text{V} \pm 0.045\text{V}$ (at I_f)									
Offset voltage ²	V_{of}	$V_{ref} \pm 0.035\text{V}$ (at $I_f=0\text{A}$)									
Output linearity ³ (0A~ I_f)	ϵ_L	$\leq \pm 1\%$ (at I_f)									
Power supply voltage	V_{CC}	$+5\text{V} \pm 5\%$									
Consumption current	I_{CC}	$\leq 15\text{mA}$									
Response time ⁴	t_r	$\leq 5\mu\text{s}$ (at $di/dt = I_f / \mu\text{s}$)									
Thermal drift of gain ⁵	TcV_o	$\leq \pm 2.0\text{mV}/^{\circ}\text{C}$									
Thermal drift of offset	TcV_{of}	$\leq \pm 2.0\text{mV}/^{\circ}\text{C}$									
Hysteresis error	V_{OH}	$\leq 25\text{mV}$ (at $I_f=0\text{A} \rightarrow I_f \rightarrow 0\text{A}$)									
Insulation voltage	V_d	AC3000V for 1minute (sensing current 0.5mA), primary \leftrightarrow secondary									
Insulation resistance	R_{IS}	$\geq 500\text{M}\Omega$ (at DC500V), primary \leftrightarrow secondary									
Ambient operation temperature	T_A	$-30^{\circ}\text{C} \sim +80^{\circ}\text{C}$									
Ambient storage temperature	T_S	$-40^{\circ}\text{C} \sim +85^{\circ}\text{C}$									

¹ Saturation current is restricted by V_{CC} — ² $V_{REF} = V_{CC} / 2$ (ratiometric) . After removal of core hysteresis — ³ Without offset — ⁴ Time between 10% input current full scale and 90% of sensor output full scale — ⁵ Without Thermal drift of offset

Electrical Performances



Hall Effect Current Sensors L18P***S05 Series

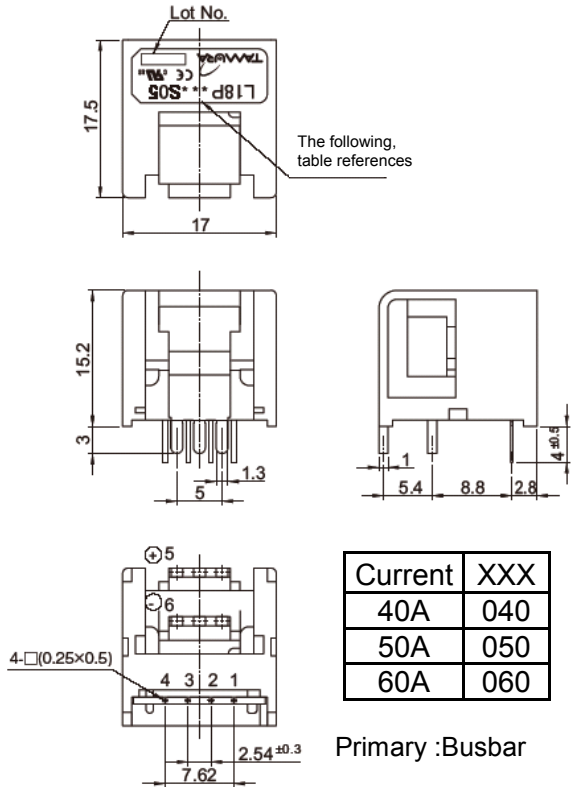
Mechanical dimensions



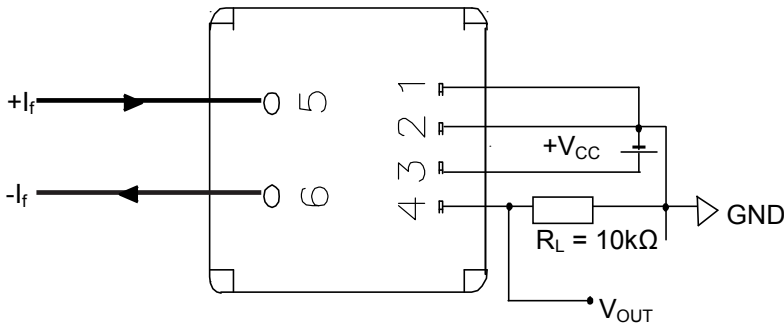
- Terminal Number:
- 1: GND
 - 2: GND
 - 3: +V_{CC}(+5V)
 - 4: V_{OUT}
 - 5: Primary input current (+)
 - 6: Primary input current (-)

Current	XXX	φA
3A	003	φ0.6
5A	005	φ0.8
10A	010	φ1.1
15A	015	φ1.4
20A	020	φ1.6
25A	025	φ1.6
30A	030	φ1.6

- NOTES
1. Unit is mm
 2. Tolerance is 0.5mm



Electrical connection diagram



UL Standard

UL 508 , CSA C22.2 No.14
(UL FILE No.E243511)

- For use in Pollution Degree 2 Environment.
- Maximum Surrounding air temperature rating, 80°C.

Package & Weight Information

nominal current	Weight	Pcs/box	Pcs/carton	Pcs/pallet
10A..60A	8g	100	600	12000
3A , 5A	8g	50	1200	28800

Mouser Electronics

Authorized Distributor

Click to View Pricing, Inventory, Delivery & Lifecycle Information:

Tamura:

[L18P003S05](#) [L18P005S05](#) [L18P010S05](#) [L18P015S05](#) [L18P020S05](#) [L18P025S05](#) [L18P030S05](#) [L18P040S05](#)
[L18P050S05](#) [L18P060S05](#) [L18P003S05R](#) [L18P005S05R](#) [L18P010S05R](#) [L18P015S05R](#) [L18P020S05R](#)
[L18P025S05R](#) [L18P030S05R](#) [L18P040S05R](#) [L18P050S05R](#) [L18P060S05R](#)