

## S664 Frequency Counter



File# E199939 CE UL cUL

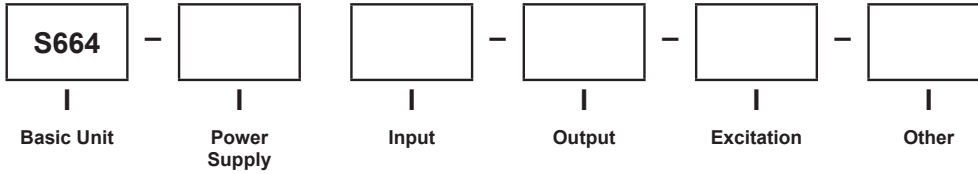
- Remote reset capability
- Input variety:  
Switch, TTL, CMOS, NAMUR, PNP, NPN
- Optional 12DCV Excitation

This counter offers a wide input frequency range from 1Hz to 35KHz, and four display ranges of 99.99Hz, 999.9Hz, 9999Hz, and 35KHz.

The easiest to use counter in the S660 counter series, the S664 offers 12 DCV, 100mA sensor excitation and requires no programming to use.

After the counter is mounted and wired, selecting the appropriate frequency range is the only setup required. One of four frequency ranges may be selected to measure from 1Hz to 35KHz.

## Ordering Information



Select From Each One Below		
<b>Basic Unit</b>		
	1	S664
<b>Power Supply</b>		
	1	120 ACV
	2	240 ACV
<b>Input</b>		
	1	Standard
	2	Quadrature
<b>Output</b>		
	0	None
<b>Excitation</b>		
	0	None
	1	12DCV (100mA Max Current)
<b>Other</b>		
	0	None

## S664 Frequency Counter

<b>Specifications</b>	
<b>DISPLAY</b>	
Type	4-digit, 7-segment, red LED
Height	0.56" (14.2mm)
Decimal Point	Position according to scale selection
Count Direction	"+" indication implied, "-" indication displayed
Display Range	-999 to +9999
Output Indicators	1 and 2
<b>POWER REQUIREMENTS</b>	
AC Voltages	120 or 240VAC, $\pm 10\%$
Power Consumption	3VA
<b>INPUT RATINGS</b>	
Current Sinking	10K $\Omega$ 5% Resistor pull-up to (9.0 - 16DCV) $\pm 10\%$
Current Sourcing	5.1K $\Omega$ 5% Resistor pull-down to common
Minimum Pulse Width	$\sim 2\mu\text{s}$
Low Pass Filter	<200Hz
Low Bias	VLT = 1.6V $\pm 10\%$ VUT = 3.6V $\pm 10\%$
High Bias	VLT = 5.0V $\pm 10\%$ VUT = 7.0V $\pm 10\%$
Count Rate	35KHz (Pulse Max) 8.75KHz (Quadrature X4 Max)
Maximum Voltage Input A,B, and User	30DCV (Max)
<b>ENVIRONMENTAL</b>	
Operating Temperature	0°C to +40°C
Storage Temperature	-10°C to +60°C
Relative Humidity	0 to 80% non-condensing for temperatures less than 32°C, decreasing linearly to 50% at 40°C
Ambient Temperature	25°C
Temp. Coefficient (per °C)	$\pm 100\text{ppm}/^\circ\text{C}$
Warm-up Time	15 minutes
<b>MECHANICAL</b>	
Bezel	3.93" x 2.04" x .52" (99.8mm x 51.8mm x 13.2mm)
Depth	3.24" (82.3mm)
Panel Cutout	3.62" x 1.77" (92mm x 45mm)
Case Material	PBT-ABS
Weight	9oz (255.1g)

### Mounting Requirements -

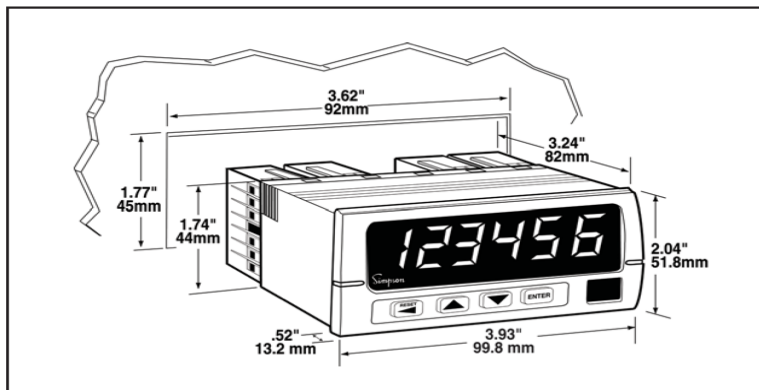
The S664 series 1/8 DIN counters require a panel cutout of 1.77" (45mm) high by 3.62" (92mm) wide.

To install the counter into a panel cutout, remove the clips from the side of the meter.

Slide the meter through your panel cutout, then slide the mounting clips back on the meter.

Press evenly to ensure a proper fit.

### Dimensions



# Mouser Electronics

Authorized Distributor

Click to View Pricing, Inventory, Delivery & Lifecycle Information:

Simpson:

[S664-1-2-0-1-0](#) [S664-1-1-0-1-0](#) [S664-1-1-0-0-0](#)