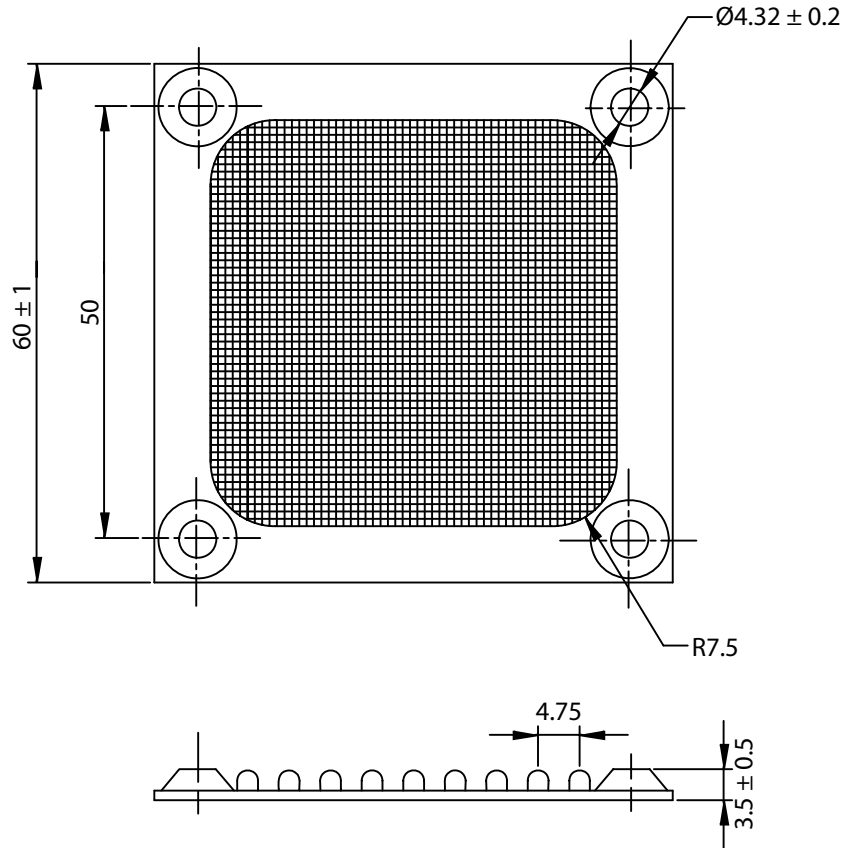


THESE DRAWINGS ARE THE PROPERTY OF QUALTEK ELECTRONICS AND NOT TO BE REPRODUCED FOR OR COMMUNICATED TO A THIRD PARTY WITHOUT THE EXPRESS WRITTEN PERMISSION OF AN OFFICER OF QUALTEK ELECTRONICS.

REVISION			
REV.	DESCRIPTION	DATE	APPROVED
B	RoHS Compliancy	06-01-06	DP
C	Updated Specifications	04-02-08	DP



NOTES:

- MATERIAL:  
(1)FRAME: SUS304 STAINLESS STEEL WITH 0.6mm THICKNESS  
(2)MESH: 24#/25.4mm STAINLESS STEEL
- FINISH: ELECTROLYZE
- GENERAL TOLERANCE UNLESS NOTED IS  $\pm 0.5$ mm
- RoHS COMPLIANT

**CONTROLLED**

Dim range (mm)	Tolerance +/- (mm)	Qualtek Electronics Corp. FAN-S DIVISION		
		Part Number: 06250-SS	RoHS Compliant	
0-5	0.1	Description: FAN FILTER SCREEN (60mm)		
5-16	0.15		UNIT: mm	REV: C
16-64	0.2	Drawn / Date	Checked / Date	Approved / Date
64-250	0.4	B. ZHANG 05-23-02	05-23-02	JJH / 05-23-02
250-1000	0.5			
1000-1500	1.0			

# Mouser Electronics

Authorized Distributor

Click to View Pricing, Inventory, Delivery & Lifecycle Information:

[Qualtek:](#)

[06250-SS](#)