

Choke Coils

Series : **Pin terminal**

Type : **09D, 11D, 12D, 16B, 18B, 10E, 12E, 15E, 18E**

Pin terminal inductors featuring small size and high performance

Features

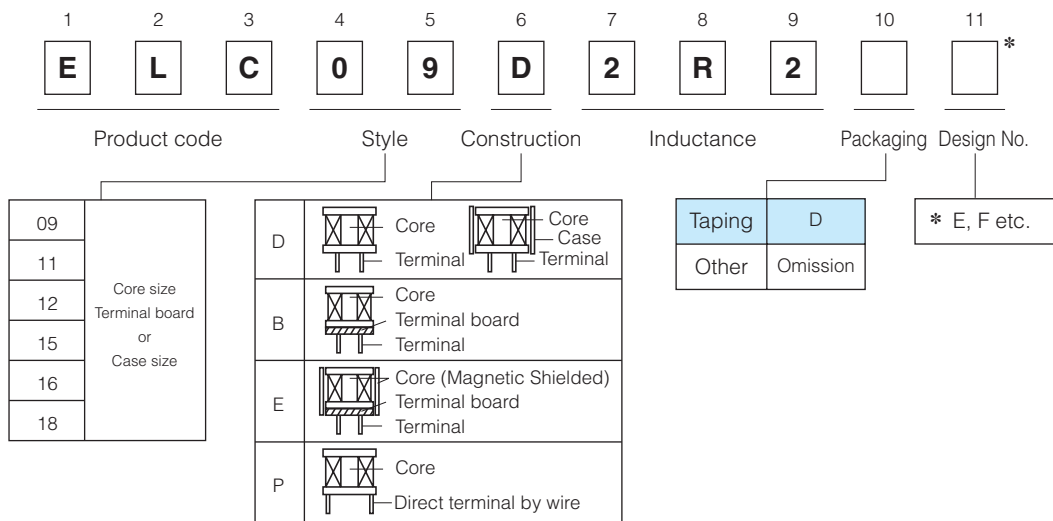
- High - μ and High Bm cores
- Wide inductor range
- Magnetic shield type (E Type)
- RoHS compliant

Recommended Applications

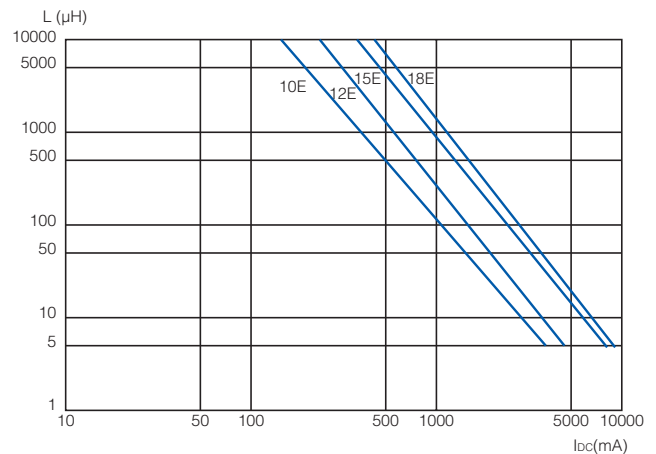
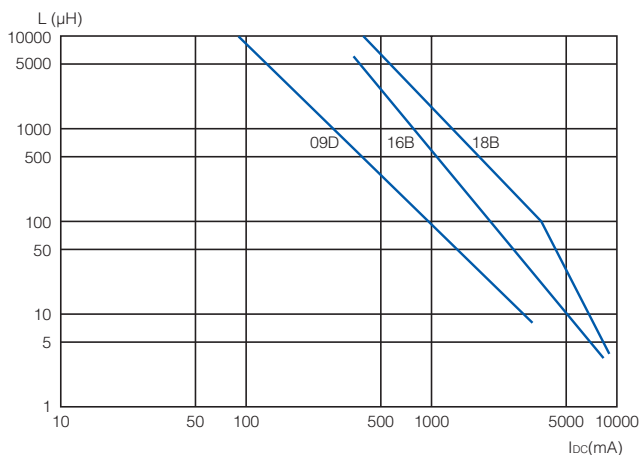
- Appliance, Office automation equipment, Amusement machine, Power circuit for electric device



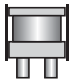
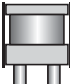
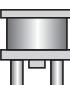
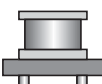

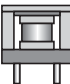
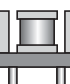
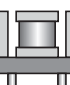
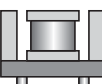
Explanation of Part Numbers



Available I-L Characteristics

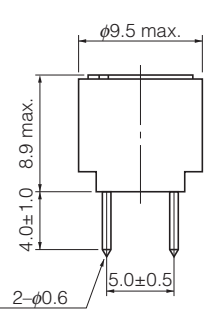
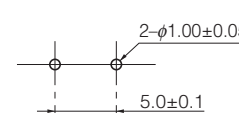
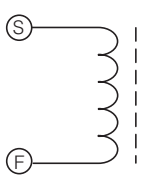


Performance Characteristics by Series

| | Type | Construction | External Dimensions D×H (mm) | Inductance (μH) | | | | | Current I _{DC} (A) | |
|---------|-------|---|------------------------------|-----------------|-----|-----|-----|------|-----------------------------|-------------|
| | | | | 0.1 | 1.0 | 10 | 100 | 1000 | | 10000 |
| Regular | 09D * |  | φ9.5×8.9 (with case) | | | 2.2 | | | 10000 | 0.08 to 3.5 |
| | 11D * |  | φ11.5×13.9 (with case) | | | 2.2 | | | 10000 | 0.16 to 5.3 |
| | 12D |  | φ12.5×16.5 | | | | 100 | | 10000 | 0.27 to 1.9 |
| | 16B |  | φ16.0×23.0 | | | 3.3 | | | 10000 | 0.26 to 8.5 |
| | 18B |  | φ20.0×27.0 | | | 3.3 | | | 10000 | 0.36 to 8.5 |
| Shield | 10E-L |  | φ10.0×13.0 | | | 3.9 | | | 8200 | 0.10 to 2.9 |
| | 12E-L |  | φ13.0×18.5 | | | 4.7 | | | 10000 | 0.13 to 4.4 |
| | 15E-L |  | φ16.0×22.0 (3 pin terminal) | | | 5.6 | | | 10000 | 0.30 to 5.4 |
| | 18E-L |  | φ19.0×25.1 (4 pin terminal) | | | 5.6 | | | 10000 | 0.33 to 5.9 |

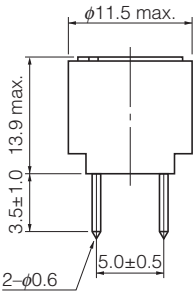
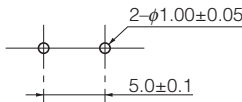
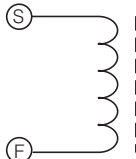
* : Taping Available

Examples Type 09D

| | Part No. | Inductance (μH) | Tolerance (%) | Test Freq. (kHz) | R _{DC} (Ω) [at 20 °C] (Tol.±20 %) | I _{DC} * [at 20 °C] (A)max. |
|--|--|-----------------|---------------|------------------|--|--|
| <p>[Dimensions in mm] (not to scale)</p>  | ELC09D2R2□F | 2.2 | ±20 | 10 | 0.012 | 3.50 |
| | ELC09D2R7□F | 2.7 | | | 0.013 | 3.30 |
| | ELC09D3R3□F | 3.3 | | | 0.015 | 3.20 |
| | ELC09D3R9□F | 3.9 | | | 0.016 | 3.10 |
| | ELC09D4R7□F | 4.7 | | | 0.018 | 3.00 |
| | ELC09D5R6□F | 5.6 | | | 0.019 | 2.90 |
| | ELC09D6R8□F | 6.8 | | | 0.021 | 2.80 |
| | ELC09D8R2□F | 8.2 | | | 0.024 | 2.60 |
| | ELC09D100□F | 10.0 | | | 0.027 | 2.50 |
| | ELC09D120□F | 12.0 | | | 0.031 | 2.30 |
| | ELC09D150□F | 15.0 | 0.035 | | 2.10 | |
| | ELC09D180□F | 18.0 | 0.038 | | 2.00 | |
| | ELC09D220□F | 22.0 | 0.051 | | 1.80 | |
| | ELC09D270□F | 27.0 | 0.058 | | 1.60 | |
| | ELC09D330□F | 33.0 | 0.081 | | 1.40 | |
| | ELC09D390□F | 39.0 | 0.087 | | 1.30 | |
| | ELC09D470□F | 47.0 | 0.110 | | 1.20 | |
| | ELC09D560□F | 56.0 | 0.130 | | 1.10 | |
| | ELC09D680□F | 68.0 | 0.140 | | 1.00 | |
| | <p>Recommended PWB piercing plan</p>  | ELC09D820□F | 82.0 | | ±10 | 0.160 |
| ELC09D101□F | | 100.0 | 0.200 | 0.82 | | |
| ELC09D121□F | | 120.0 | 0.250 | 0.77 | | |
| ELC09D151□F | | 150.0 | 0.320 | 0.74 | | |
| ELC09D181□F | | 180.0 | 0.360 | 0.61 | | |
| ELC09D221□F | | 220.0 | 0.410 | 0.58 | | |
| ELC09D271□F | | 270.0 | 0.500 | 0.52 | | |
| ELC09D331□F | | 330.0 | 0.650 | 0.49 | | |
| ELC09D391□F | | 390.0 | 0.860 | 0.46 | | |
| ELC09D471□F | | 470.0 | 0.980 | 0.39 | | |
| <p>Connection Schematic</p>  | ELC09D561□F | 560.0 | 1.100 | 0.36 | | |
| | ELC09D681□F | 680.0 | 1.400 | 0.34 | | |
| | ELC09D821□F | 820.0 | 1.600 | 0.30 | | |
| | ELC09D102□F | 1000.0 | 2.100 | 0.28 | | |
| | ELC09D122□F | 1200.0 | 2.400 | 0.23 | | |
| | ELC09D152□F | 1500.0 | 2.800 | 0.21 | | |
| | ELC09D182□F | 1800.0 | 3.800 | 0.19 | | |
| | ELC09D222□F | 2200.0 | 4.400 | 0.17 | | |
| | ELC09D272□F | 2700.0 | 6.100 | 0.16 | | |
| | ELC09D332□F | 3300.0 | 7.000 | 0.14 | | |
| | ELC09D392□F | 3900.0 | 8.000 | 0.13 | | |
| | ELC09D472□F | 4700.0 | 11.200 | 0.12 | | |
| | ELC09D562□F | 5600.0 | 12.600 | 0.11 | | |
| ELC09D682□F | 6800.0 | 14.400 | 0.10 | | | |
| ELC09D822□F | 8200.0 | 16.600 | 0.09 | | | |
| ELC09D103□F | 10000.0 | 18.800 | 0.08 | | | |

* Allowable DC Current: Smaller current value either when the inductance is -10 % or when the case temperature has risen 45 °C.

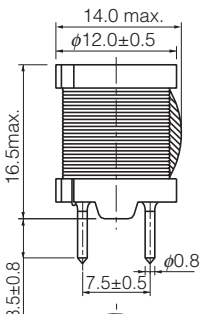
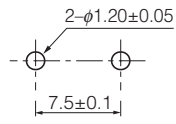
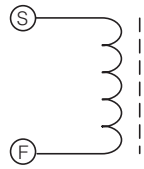
Examples Type 11D

| | Part No. | Inductance (μH) | Tolerance (%) | Test Freq. (kHz) | R _{DC} (Ω) [at 20 °C] (Tol.±20 %) | I _{DC} * [at 20 °C] (A)max. |
|--|--|-----------------|---------------|------------------|--|--|
| <p>[Dimensions in mm] (not to scale)</p>  | ELC11D2R2□F | 2.2 | ±20 | 10 | 0.013 | 5.30 |
| | ELC11D2R7□F | 2.7 | | | 0.014 | 5.10 |
| | ELC11D3R3□F | 3.3 | | | 0.015 | 4.90 |
| | ELC11D3R9□F | 3.9 | | | 0.016 | 4.80 |
| | ELC11D4R7□F | 4.7 | | | 0.018 | 4.70 |
| | ELC11D5R6□F | 5.6 | | | 0.020 | 4.60 |
| | ELC11D6R8□F | 6.8 | | | 0.022 | 4.40 |
| | ELC11D8R2□F | 8.2 | | | 0.024 | 3.90 |
| | ELC11D100□F | 10.0 | | | 0.029 | 3.50 |
| | ELC11D120□F | 12.0 | | | 0.030 | 3.40 |
| | ELC11D150□F | 15.0 | | | 0.033 | 3.30 |
| | ELC11D180□F | 18.0 | | | 0.037 | 3.10 |
| | ELC11D220□F | 22.0 | | | 0.040 | 2.80 |
| | ELC11D270□F | 27.0 | | | 0.048 | 2.70 |
| | ELC11D330□F | 33.0 | | | 0.051 | 2.60 |
| | ELC11D390□F | 39.0 | | | 0.057 | 2.50 |
| | ELC11D470□F | 47.0 | | | 0.063 | 2.30 |
| | ELC11D560□F | 56.0 | | | 0.071 | 2.10 |
| | ELC11D680□F | 68.0 | | | 0.082 | 2.00 |
| | <p>Recommended PWB piercing plan</p>  | ELC11D820□F | | | 82.0 | ±10 |
| ELC11D101□F | | 100.0 | 0.120 | 1.80 | | |
| ELC11D121□F | | 120.0 | 0.160 | 1.60 | | |
| ELC11D151□F | | 150.0 | 0.180 | 1.40 | | |
| ELC11D181□F | | 180.0 | 0.200 | 1.30 | | |
| ELC11D221□F | | 220.0 | 0.230 | 1.20 | | |
| ELC11D271□F | | 270.0 | 0.320 | 1.10 | | |
| ELC11D331□F | | 330.0 | 0.350 | 1.00 | | |
| ELC11D391□F | | 390.0 | 0.400 | 0.95 | | |
| ELC11D471□F | | 470.0 | 0.490 | 0.82 | | |
| ELC11D561□F | | 560.0 | 0.620 | 0.73 | | |
| ELC11D681□F | | 680.0 | 0.780 | 0.64 | | |
| ELC11D821□F | | 820.0 | 0.870 | 0.62 | | |
| ELC11D102□F | | 1000.0 | 1.100 | 0.57 | | |
| ELC11D122□F | | 1200.0 | 1.200 | 0.52 | | |
| ELC11D152□F | | 1500.0 | 1.700 | 0.43 | | |
| ELC11D182□F | | 1800.0 | 2.000 | 0.40 | | |
| ELC11D222□F | | 2200.0 | 2.300 | 0.38 | | |
| ELC11D272□F | | 2700.0 | 2.800 | 0.34 | | |
| <p>Connection Schematic</p>  | | ELC11D332□F | 3300.0 | | | |
| | ELC11D392□F | 3900.0 | | | 4.500 | 0.29 |
| | ELC11D472□F | 4700.0 | | | 5.200 | 0.26 |
| | ELC11D562□F | 5600.0 | | | 6.900 | 0.23 |
| | ELC11D682□F | 6800.0 | | | 7.800 | 0.21 |
| | ELC11D822□F | 8200.0 | | | 10.600 | 0.18 |
| | ELC11D103□F | 10000.0 | | | 11.800 | 0.16 |

* Allowable DC Current: Smaller current value either when the inductance is -10 % or when the case temperature has risen 45 °C.

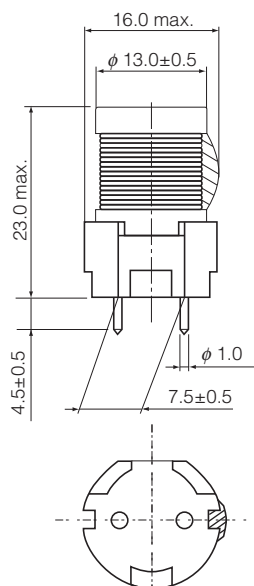
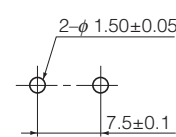
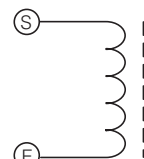
Design and specifications are each subject to change without notice. Ask factory for the current technical specifications before purchase and/or use.
Should a safety concern arise regarding this product, please be sure to contact us immediately.

Examples Type 12D

| | Part No. | Inductance (μH) | Tolerance (%) | Test Freq. (kHz) | R _{DC} (Ω) [at 20 °C] (Tol. ±20 %) | I _{DC} * [at 20 °C] (A) max. |
|---|------------|-----------------|---------------|------------------|---|---------------------------------------|
| <p>[Dimensions in mm] (not to scale)</p>  <p>Recommended PWB piercing plan</p>  <p>Connection Schematic</p>  | ELC12D101E | 100 | ±10 | 10 | 0.150 | 1.90 |
| | ELC12D121E | 120 | | | 0.170 | 1.78 |
| | ELC12D151E | 150 | | | 0.190 | 1.67 |
| | ELC12D181E | 180 | | | 0.210 | 1.58 |
| | ELC12D221E | 220 | | | 0.230 | 1.55 |
| | ELC12D271E | 270 | | | 0.270 | 1.44 |
| | ELC12D331E | 330 | | | 0.300 | 1.34 |
| | ELC12D391E | 390 | | | 0.330 | 1.32 |
| | ELC12D471E | 470 | | | 0.380 | 1.25 |
| | ELC12D561E | 560 | | | 0.420 | 1.15 |
| | ELC12D681E | 680 | | | 0.460 | 0.98 |
| | ELC12D821E | 820 | | | 0.650 | 0.94 |
| | ELC12D102E | 1000 | | | 0.720 | 0.87 |
| | ELC12D122E | 1200 | | | 0.830 | 0.86 |
| | ELC12D152E | 1500 | | | 1.270 | 0.64 |
| | ELC12D182E | 1800 | | | 1.330 | 0.63 |
| | ELC12D222E | 2200 | | | 1.500 | 0.60 |
| | ELC12D272E | 2700 | | | 1.890 | 0.54 |
| | ELC12D332E | 3300 | | | 2.370 | 0.48 |
| | ELC12D392E | 3900 | | | 2.830 | 0.45 |
| ELC12D472E | 4700 | 3.190 | 0.41 | | | |
| ELC12D562E | 5600 | 4.080 | 0.34 | | | |
| ELC12D682E | 6800 | 5.740 | 0.29 | | | |
| ELC12D822E | 8200 | 6.340 | 0.28 | | | |
| ELC12D103E | 10000 | 7.200 | 0.27 | | | |

* Allowable DC Current: Smaller current value either when the inductance is -10 % or when the case temperature has risen 45 °C.

Examples Type 16B

| | Part No. | Inductance (μH) | Tolerance (%) | Test Freq. (kHz) | R _{DC} (Ω) [at 20 °C] (Tol.±30 %)** (Tol.±20 %) | I _{DC} * [at 20 °C] (A)max. | |
|--|------------|-----------------|---------------|------------------|---|--|------|
| <p>[Dimensions in mm] (not to scale)</p>  <p>Recommended PWB piercing plan</p>  <p>Connection Schematic</p>  | ELC16B3R3L | 3.3 | ±25 | 10 | 0.012** | 8.50 | |
| | ELC16B3R9L | 3.9 | | | ±20 | 0.013** | 8.00 |
| | ELC16B4R7L | 4.7 | | | | 0.015** | 7.80 |
| | ELC16B5R6L | 5.6 | 0.016** | | | 7.40 | |
| | ELC16B6R8L | 6.8 | 0.018 | | | 6.70 | |
| | ELC16B8R2L | 8.2 | 0.019 | | | 6.10 | |
| | ELC16B100L | 10.0 | 0.022 | | | 5.60 | |
| | ELC16B120L | 12.0 | 0.023 | | 5.50 | | |
| | ELC16B150L | 15.0 | 0.026 | | 5.40 | | |
| | ELC16B180L | 18.0 | 0.028 | | 5.10 | | |
| | ELC16B220L | 22.0 | 0.031 | | 4.60 | | |
| | ELC16B270L | 27.0 | 0.034 | | 4.30 | | |
| | ELC16B330L | 33.0 | 0.039 | | 4.00 | | |
| | ELC16B390L | 39.0 | 0.042 | | 3.90 | | |
| | ELC16B470L | 47.0 | 0.045 | | 3.80 | | |
| | ELC16B560L | 56.0 | 0.051 | | 3.40 | | |
| | ELC16B680L | 68.0 | 0.057 | | 3.20 | | |
| | ELC16B820L | 82.0 | 0.064 | | 3.00 | | |
| | ELC16B101L | 100.0 | 0.072 | | 2.60 | | |
| | ELC16B121L | 120.0 | 0.080 | | 2.50 | | |
| | ELC16B151L | 150.0 | 0.103 | | 2.20 | | |
| | ELC16B181L | 180.0 | 0.115 | | 2.10 | | |
| | ELC16B221L | 220.0 | 0.130 | | 1.90 | | |
| | ELC16B271L | 270.0 | 0.170 | | 1.60 | | |
| | ELC16B331L | 330.0 | 0.200 | | 1.50 | | |
| | ELC16B391L | 390.0 | 0.250 | | 1.30 | | |
| | ELC16B471L | 470.0 | 0.280 | | 1.20 | | |
| | ELC16B561L | 560.0 | 0.380 | | 1.10 | | |
| | ELC16B681L | 680.0 | 0.430 | | 1.00 | | |
| | ELC16B821L | 820.0 | 0.580 | | 0.88 | | |
| | ELC16B102L | 1000.0 | 0.660 | | 0.85 | | |
| | ELC16B122L | 1200.0 | 0.740 | | 0.82 | | |
| | ELC16B152L | 1500.0 | 0.870 | | 0.74 | | |
| | ELC16B182L | 1800.0 | 1.220 | | 0.60 | | |
| ELC16B222L | 2200.0 | 1.380 | 0.57 | | | | |
| ELC16B272L | 2700.0 | 1.570 | 0.54 | | | | |
| ELC16B332L | 3300.0 | 2.000 | 0.47 | | | | |
| ELC16B392L | 3900.0 | 2.400 | 0.42 | | | | |
| ELC16B472L | 4700.0 | 3.300 | 0.36 | | | | |
| ELC16B562L | 5600.0 | 3.700 | 0.34 | | | | |
| ELC16B682L | 6800.0 | 4.200 | 0.32 | | | | |
| ELC16B822L | 8200.0 | 5.600 | 0.28 | | | | |
| ELC16B103L | 10000.0 | 6.400 | 0.26 | | | | |

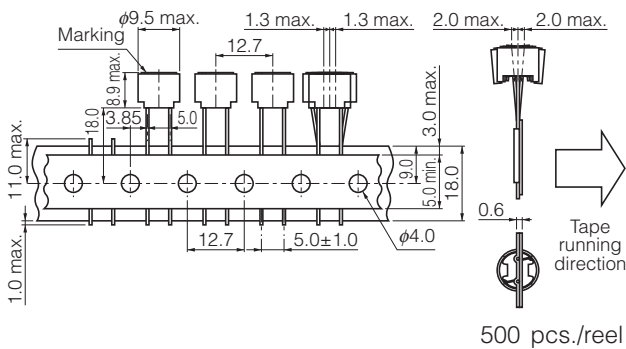
* Allowable DC Current: Smaller current value either when the inductance is -10 % or when the case temperature has risen 45 °C.

Examples Type 18B

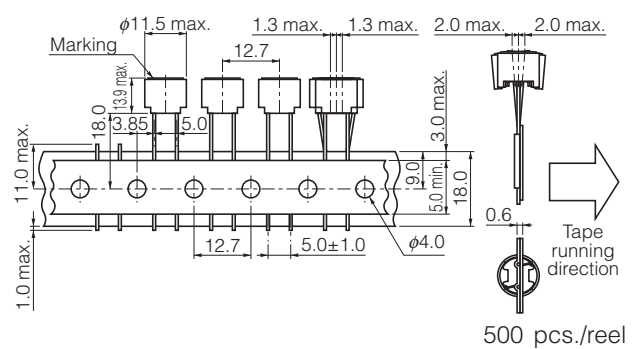
| | Part No. | Inductance (μH) | Tolerance (%) | Test Freq. (kHz) | R _{DC} (Ω) [at 20 °C] (Tol.±20 %) | I _{DC} * [at 20 °C] (A)max. |
|---|------------|-----------------|---------------|------------------|--|--|
| <p>[Dimensions in mm] (not to scale)</p> <p>Recommended PWB piercing plan</p> <p>Connection Schematic</p> | ELC18B3R3L | 3.3 | ±20 | 10 | 0.010 | 8.50 |
| | ELC18B3R9L | 3.9 | | | 0.011 | 8.00 |
| | ELC18B4R7L | 4.7 | | | 0.012 | 7.80 |
| | ELC18B5R6L | 5.6 | | | 0.013 | 7.40 |
| | ELC18B6R8L | 6.8 | | | 0.015 | 6.80 |
| | ELC18B8R2L | 8.2 | | | 0.016 | 6.60 |
| | ELC18B100L | 10.0 | | | 0.017 | 6.50 |
| | ELC18B120L | 12.0 | | | 0.018 | 6.00 |
| | ELC18B150L | 15.0 | | | 0.021 | 5.90 |
| | ELC18B180L | 18.0 | | | 0.022 | 5.60 |
| | ELC18B220L | 22.0 | 0.025 | | 5.40 | |
| | ELC18B270L | 27.0 | 0.028 | | 4.80 | |
| | ELC18B330L | 33.0 | 0.030 | | 4.60 | |
| | ELC18B390L | 39.0 | 0.033 | | 4.40 | |
| | ELC18B470L | 47.0 | 0.037 | | 4.30 | |
| | ELC18B560L | 56.0 | 0.040 | | 4.20 | |
| | ELC18B680L | 68.0 | 0.046 | | 4.00 | |
| | ELC18B820L | 82.0 | 0.051 | | 3.70 | |
| | ELC18B101L | 100.0 | 0.057 | | 3.20 | |
| | ELC18B121L | 120.0 | 0.065 | | 3.00 | |
| | ELC18B151L | 150.0 | 0.072 | | 2.70 | |
| | ELC18B181L | 180.0 | 0.082 | | 2.60 | |
| | ELC18B221L | 220.0 | 0.090 | | 2.40 | |
| | ELC18B271L | 270.0 | 0.110 | | 2.20 | |
| | ELC18B331L | 330.0 | 0.130 | | 1.90 | |
| | ELC18B391L | 390.0 | 0.150 | | 1.80 | |
| | ELC18B471L | 470.0 | 0.210 | | 1.60 | |
| | ELC18B561L | 560.0 | 0.230 | | 1.50 | |
| | ELC18B681L | 680.0 | 0.260 | | 1.40 | |
| | ELC18B821L | 820.0 | 0.340 | | 1.30 | |
| | ELC18B102L | 1000.0 | 0.390 | | 1.10 | |
| | ELC18B122L | 1200.0 | 0.440 | | 1.00 | |
| | ELC18B152L | 1500.0 | 0.580 | | 0.85 | |
| ELC18B182L | 1800.0 | 0.650 | 0.84 | | | |
| ELC18B222L | 2200.0 | 0.880 | 0.75 | | | |
| ELC18B272L | 2700.0 | 1.200 | 0.68 | | | |
| ELC18B332L | 3300.0 | 1.400 | 0.60 | | | |
| ELC18B392L | 3900.0 | 1.500 | 0.57 | | | |
| ELC18B472L | 4700.0 | 1.700 | 0.55 | | | |
| ELC18B562L | 5600.0 | 2.200 | 0.46 | | | |
| ELC18B682L | 6800.0 | 2.800 | 0.45 | | | |
| ELC18B822L | 8200.0 | 3.100 | 0.41 | | | |
| ELC18B103L | 10000.0 | 3.900 | 0.36 | | | |

* Allowable DC Current: Smaller current value either when the inductance is -10 % or when the case temperature has risen 45 °C.

Tape Dimensions in mm for Type 09D (not to scale)



Tape Dimensions in mm for Type 11D (not to scale)



⚠ Safety Precautions

- When using our products, no matter what sort of equipment they might be used for, be sure to make a written agreement on the specifications with us in advance. The design and specifications in this catalog are subject to change without prior notice.
- Do not use the products beyond the specifications described in this catalog.
- This catalog explains the quality and performance of the products as individual components. Before use, check and evaluate their operations when installed in your products.
- Install the following systems for a failsafe design to ensure safety if these products are to be used in equipment where a defect in these products may cause the loss of human life or other significant damage, such as damage to vehicles (automobile, train, vessel), traffic lights, medical equipment, aerospace equipment, electric heating appliances, combustion/gas equipment, rotating equipment, and disaster/crime prevention equipment.
- * Systems equipped with a protection circuit and a protection device
- * Systems equipped with a redundant circuit or other system to prevent an unsafe status in the event of a single fault

⚠ Precautions for use

1. Rated current

The rated current is defined as the smaller value of either the current value when the inductance drops 10 % down from its initial point, or when the average temperature of coil interior rises 45 °C up on power source. Do not operate these coils beyond the specified rated current.

2. Mounting

- ① Cores may be damaged when excessive force or shock is applied.
Do not use products which may have been dropped.
- ② Be careful not to make contact with other parts and consider possible interaction between coils due to magnetic interference.
- ③ Be careful of being too close to heat-radiating parts (high temperature).
- ④ Do not bend the pin-terminals during assembly.
The pin-terminals must connect correctly.
Do not apply them a shock to avoid causing an open or short circuit condition.
- ⑤ The float on PWB must not be after mounting.

3. Soldering

- ① Use flux which will not effect copper wire. (Be sure to use proper amounts of chloride, pH and other solvents)
- ② When using a soldering iron, wait at least 3 minutes before attempting to re-solder.

4. Storage

- ① Avoid high temperatures, high moisture, gases and magnetic fields.
- ② For long term storage of more than 1 year, use the products only after inspecting their outer structure.
(Look for possible rusting of the core and oxidation of the lead wire, which would affect its solderability.)

<Package markings>

Package markings include the product number, quantity, and country of origin. In principle, the country of origin should be indicated in English.

Mouser Electronics

Authorized Distributor

Click to View Pricing, Inventory, Delivery & Lifecycle Information:

Panasonic:

[ELC-09D100DF](#) [ELC-09D101DF](#) [ELC-18B221L](#) [ELC-18B101L](#) [ELC-09D180F](#) [ELC-09D101F](#) [ELC-09D102DF](#)
[ELC-09D103DF](#) [ELC-09D103F](#) [ELC-09D120DF](#) [ELC-09D120F](#) [ELC-09D121DF](#) [ELC-09D121F](#) [ELC-09D122DF](#)
[ELC-09D122F](#) [ELC-09D150DF](#) [ELC-09D151DF](#) [ELC-09D151F](#) [ELC-09D152DF](#) [ELC-09D152F](#) [ELC-09D180DF](#)
[ELC-09D181DF](#) [ELC-09D181F](#) [ELC-09D182DF](#) [ELC-09D182F](#) [ELC-09D220DF](#) [ELC-09D221DF](#) [ELC-09D221F](#)
[ELC-09D222DF](#) [ELC-09D270DF](#) [ELC-09D270F](#) [ELC-09D271DF](#) [ELC-09D271F](#) [ELC-09D272DF](#) [ELC-09D272F](#)
[ELC-09D2R2DF](#) [ELC-09D2R2F](#) [ELC-09D2R7DF](#) [ELC-09D2R7F](#) [ELC-09D330DF](#) [ELC-09D330F](#) [ELC-09D331DF](#)
[ELC-09D332DF](#) [ELC-09D332F](#) [ELC-09D390DF](#) [ELC-09D390F](#) [ELC-09D391DF](#) [ELC-09D391F](#) [ELC-09D392DF](#)
[ELC-09D392F](#) [ELC-09D3R3DF](#) [ELC-09D3R9DF](#) [ELC-09D470DF](#) [ELC-09D471DF](#) [ELC-09D472DF](#) [ELC-09D472F](#)
[ELC-09D560DF](#) [ELC-09D560F](#) [ELC-09D561DF](#) [ELC-09D561F](#) [ELC-09D562DF](#) [ELC-09D562F](#) [ELC-09D5R6DF](#)
[ELC-09D5R6F](#) [ELC-09D680DF](#) [ELC-09D681DF](#) [ELC-09D681F](#) [ELC-09D682DF](#) [ELC-09D682F](#) [ELC-09D6R8DF](#)
[ELC-09D820DF](#) [ELC-09D820F](#) [ELC-09D821DF](#) [ELC-09D821F](#) [ELC-09D822DF](#) [ELC-09D822F](#) [ELC-09D8R2DF](#)
[ELC-09D8R2F](#) [ELC-10E120L](#) [ELC-10E221L](#) [ELC-10E330L](#) [ELC-10E332L](#) [ELC-10E391L](#) [ELC-10E471L](#) [ELC-](#)
[12D101E](#) [ELC-12D102E](#) [ELC-12D103E](#) [ELC-12D121E](#) [ELC-12D122E](#) [ELC-12D151E](#) [ELC-12D152E](#) [ELC-12D181E](#)
[ELC-12D182E](#) [ELC-12D221E](#) [ELC-12D222E](#) [ELC-12D271E](#) [ELC-12D272E](#) [ELC-12D331E](#) [ELC-12D332E](#) [ELC-](#)
[12D391E](#)