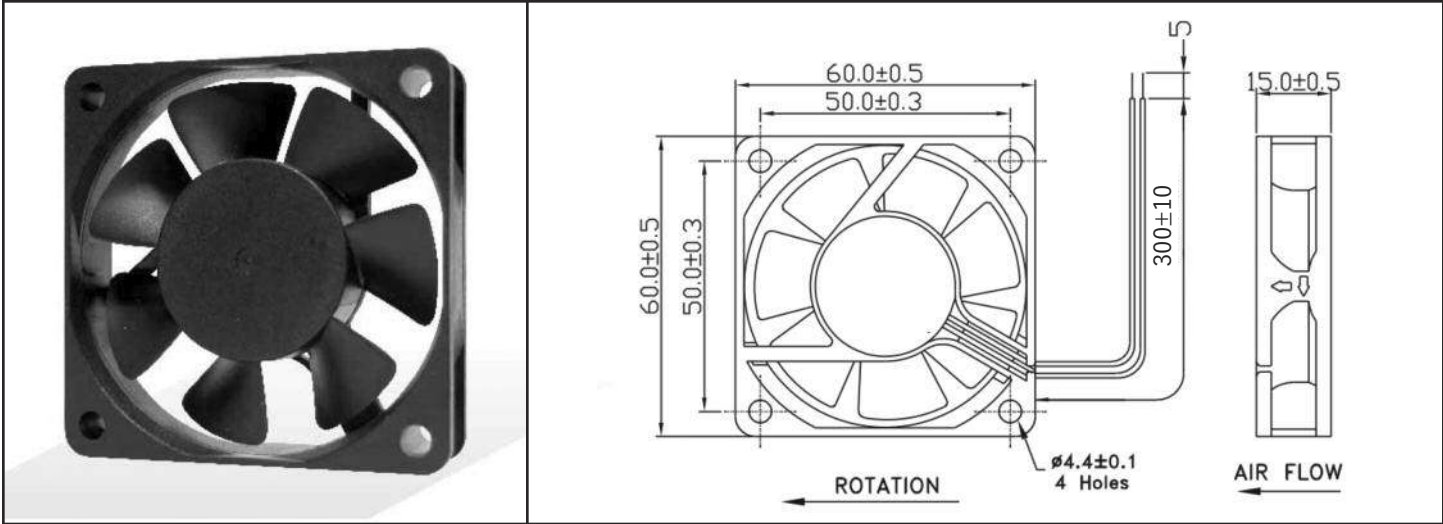


OD6015 Series



DC Fan - 5, 12, 24V
60 x 15mm (2.36" x 0.59")



Frame & Impeller	PBT, UL94V-0 plastic	Available Options: Tachometer (FG) Alarm (RD) Other frame styles available Sleeve Bearing Life Expectancy (L10) Ball Bearing 60,000 hours (L10 at 40C) Operating Temperature Ball Bearing -10C ~ 70C Weight: ~ 0.08 lbs m1	
Connection	2x Lead wires		
Motor	Brushless DC, auto restart, polarity protected		
Bearing System	Dual Ball		
Insulation Resistance	10M ohm between leadwire and frame (500VDC)		
Dielectric Strength	1 minute at 500 VAC, max leakage < 500 MicroAmp		
Storage Temperature	-40C ~ +80C		

Model Number	Speed (RPM)	Airflow (CFM)	Noise (dB)	Volts DC	Power Input (Watts)	Amps	Max. Static Pressure (\"H ₂ O)
OD6015-05HB	4,500	16	33	5	1.10	0.22	0.15
OD6015-05MB	3,900	14	29	5	0.90	0.18	0.12
OD6015-05LB	3,500	12	25	5	0.60	0.12	0.08
OD6015-12HHB	5,100	18	39	12	1.44	0.12	0.17
OD6015-12HB	4,500	16	33	12	1.08	0.09	0.15
OD6015-12MB	3,900	14	29	12	0.98	0.08	0.12
OD6015-12LB	3,500	12	25	12	0.84	0.07	0.08
OD6015-12LLB	3,100	11	21	12	0.72	0.06	0.06
OD6015-24HB	4,500	16	33	24	1.20	0.05	0.15

Mouser Electronics

Authorized Distributor

Click to View Pricing, Inventory, Delivery & Lifecycle Information:

Orion Fans:

[OD6015-12MB](#) [OD6015-12HB](#) [OD6015-12HS](#) [OD6015-05HB](#) [OD6015-05HS](#) [OD6015-05MB](#) [OD6015-24HB](#)
[OD6015-05LB](#) [OD6015-12LB](#) [OD6015-24LB](#) [OD6015-12LS](#) [OD6015-24HB01A](#) [OD6015-12MS](#) [OD6015-12HB01A](#)
[OD6015-05MS](#) [OD6015-05LS](#) [OD6015-24LS](#) [OD6015-12HHB](#) [OD6015-12LLB](#) [OD6015-24HB1717](#)