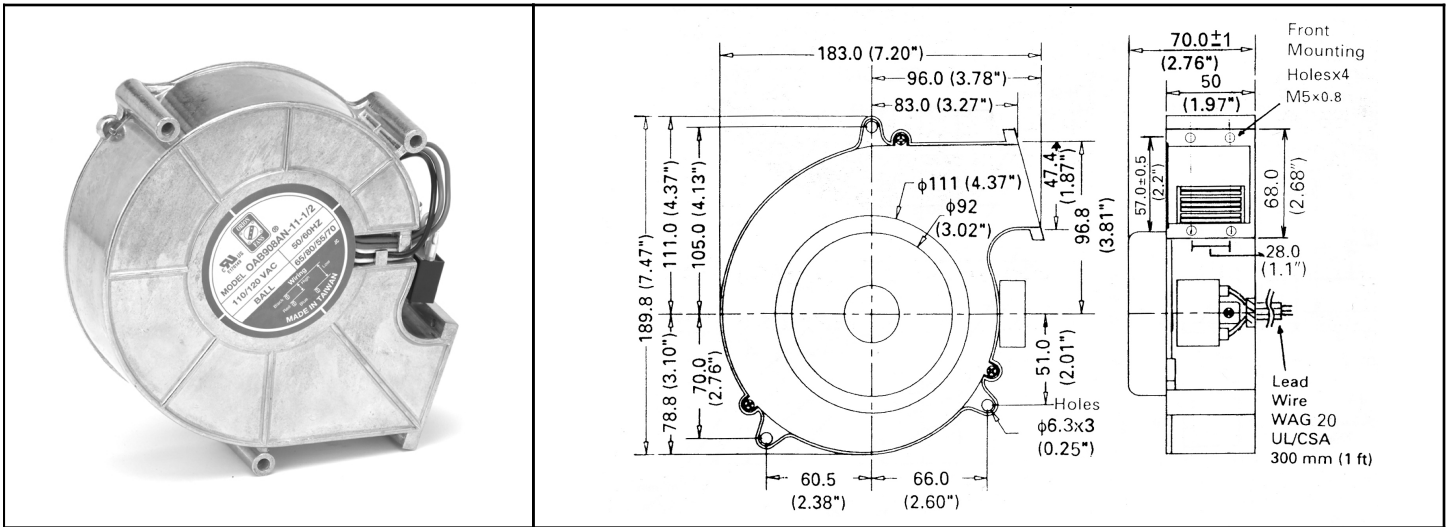


OAB908 Side Inlet Blower



AC Blower, ball bearing, Dual Speed
183x190x70mm (7.2"x 7.5"x 2.8")



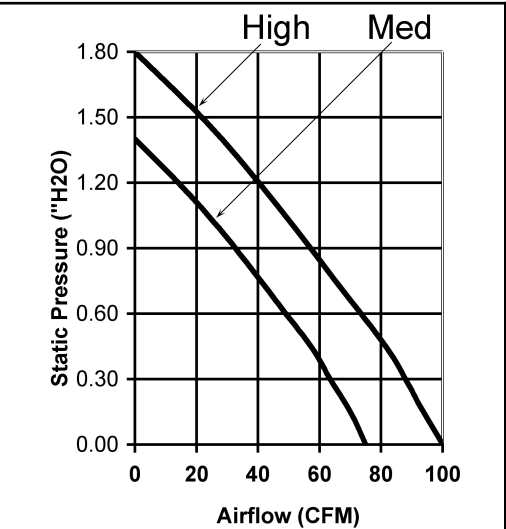
Dual Speed Blower (High, Medium)	
Frame & Impeller	Aluminum die-cast shell with UL94V-0 impeller
Connection	Lead Wires
Motor	Single phase, capacitor induction, 2/4 pole, inner rotor, thermal protection - Frame: Aluminum die-cast, natural color treatment case, steel plate housing cover
Bearing System	Dual ball - sealed

Operating Temp: Ambient non-condensing allowable thermal range -20C~+75C

-L10 Life: MTBF life test 80,000 hours at +45C, 40,000 hours at +60C

-Dielectric Strength: Over 1 min. at 1,500 VAC, 0.5mA, 50/60 Hz

-Insulation Resistance: Over 100 Mega Ohm at DC 500V

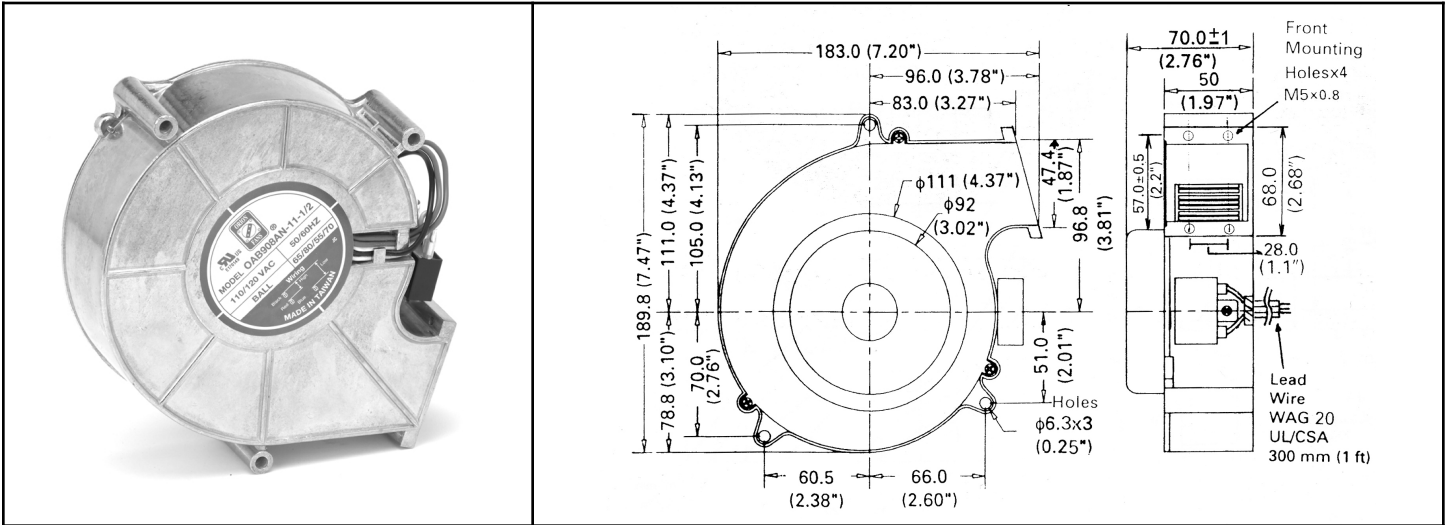


Model Number	OAB908AN-11-1/2
Part Number	264311060
Nominal Voltage	115 VAC
Voltage Range	100 ~ 125 VAC
Rated Power	80 W / 65 W
Rated Speed (RPM)	3100 / 2400
Airflow (CFM)	100 / 75
Noise Level (dB)	68 / 55
Max. Static Pressure	1.8 "H2O / 1.4 "H2O

OAB908 Ultra Low Speed



AC Blower, ball bearing
183x190x70mm (7.2"x 7.5"x 2.8")



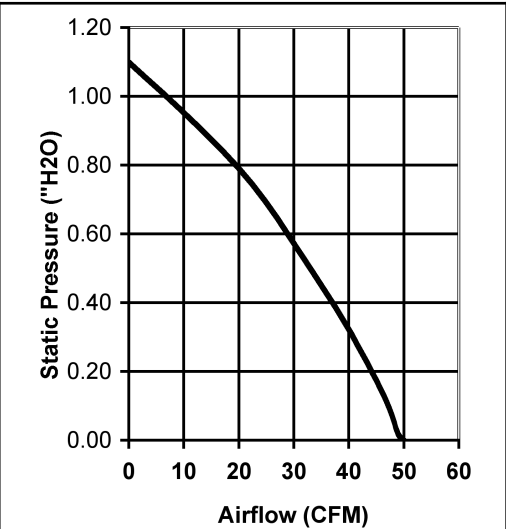
Side Inlet Blower	
Frame & Impeller	Aluminum die-cast shell with UL94V-0 impeller
Connection	Lead Wires
Motor	Single phase, capacitor induction, 2/4 pole, inner rotor, thermal protection -Frame: Aluminum die-cast, natural color treatment case, steel plate housing cover
Bearing System	Dual ball - sealed

Operating Temp: Ambient non-condensing allowable thermal range -20C~+75C

-L10 Life: MTBF life test 80,000 hours at +45C, 40,000 hours at +60C

-Dielectric Strength: Over 1 min. at 1,500 VAC, 0.5mA, 50/60 Hz

-Insulation Resistance: Over 100 Mega Ohm at DC 500V

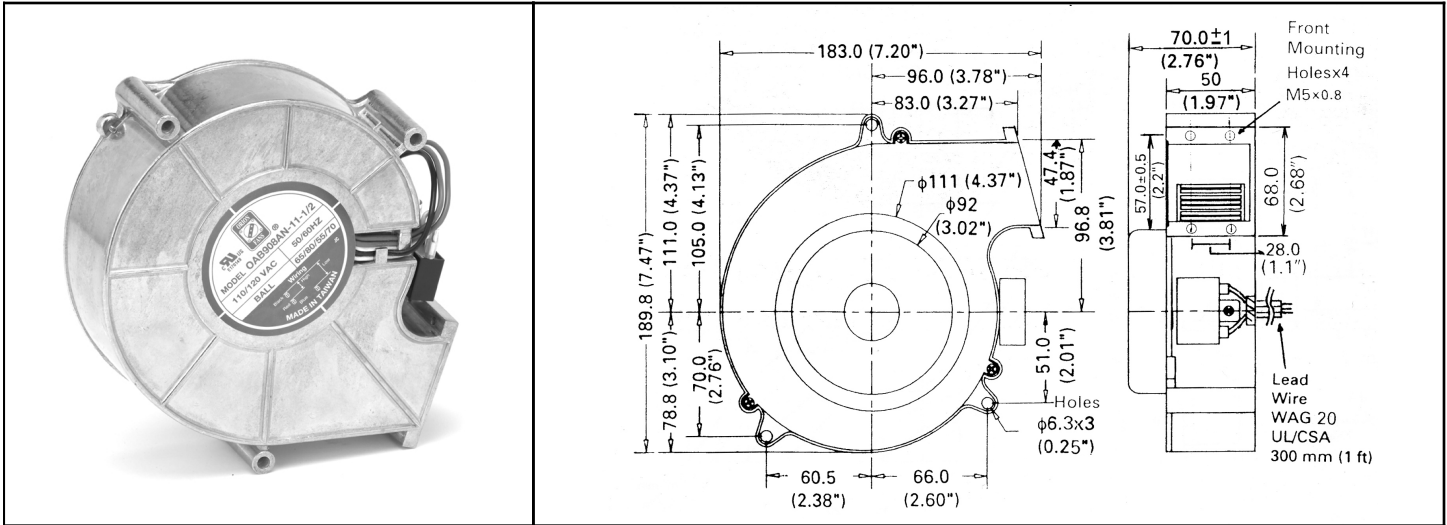


Model Number	OAB908AN-11-3	OAB908AN-22-3
Part Number	264331000	264631000
Nominal Voltage	115 VAC	230 VAC
Voltage Range	60 ~ 130	100 ~ 260
Rated Power	60 W	60 W
Rated Speed (RPM)	1000	1000
Airflow (CFM)	50	50
Noise Level (dB)	40	40
Max. Static Pressure	1.1 "H2O	1.1 "H2O

OAB908 Side Inlet Blower



AC Blower, ball bearing, Dual Speed
183x190x70mm (7.2"x 7.5"x 2.8")



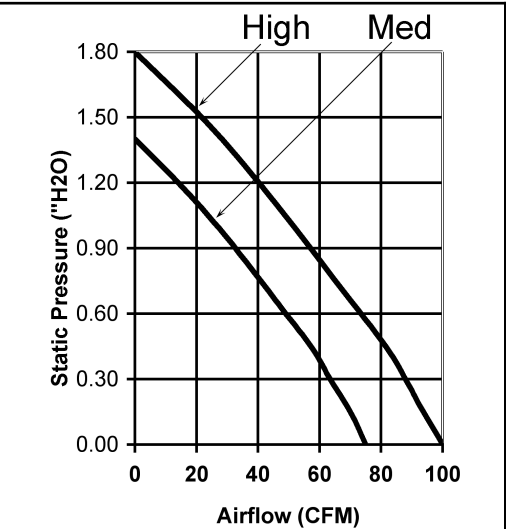
Dual Speed Blower (High, Medium)	
Frame & Impeller	Aluminum die-cast shell with UL94V-0 impeller
Connection	Lead Wires
Motor	Single phase, capacitor induction, 2/4 pole, inner rotor, thermal protection - Frame: Aluminum die-cast, natural color treatment case, steel plate housing cover
Bearing System	Dual ball - sealed

Operating Temp: Ambient non-condensing allowable thermal range -20C~+75C

-L10 Life: MTBF life test 80,000 hours at +45C, 40,000 hours at +60C

-Dielectric Strength: Over 1 min. at 1,500 VAC, 0.5mA, 50/60 Hz

-Insulation Resistance: Over 100 Mega Ohm at DC 500V

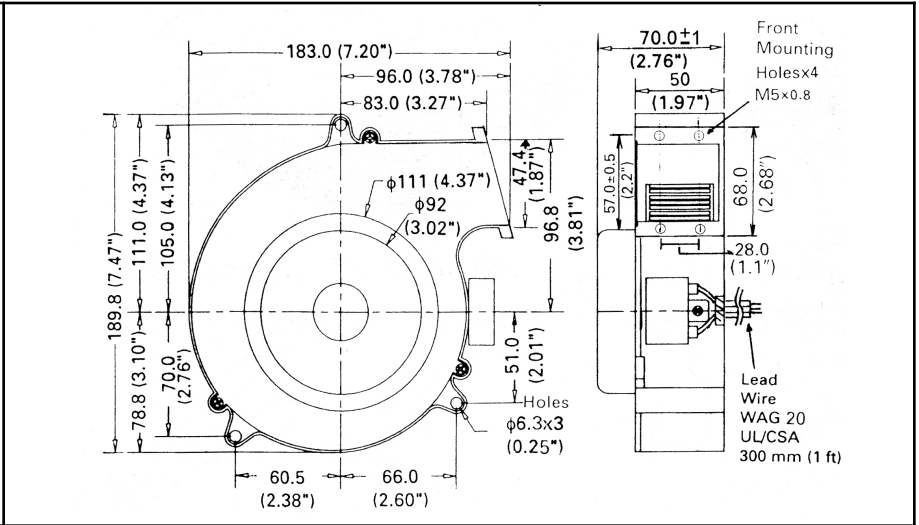


Model Number	OAB908AN-22-1/2
Part Number	264611060
Nominal Voltage	230 VAC
Voltage Range	200 ~ 240 VAC
Rated Power	80 W / 65 W
Rated Speed (RPM)	3100 / 2400
Airflow (CFM)	100 / 75
Noise Level (dB)	68 / 55
Max. Static Pressure	1.8 "H2O / 1.4 "H2O

OAB908 Ultra Low Speed



AC Blower, ball bearing
183x190x70mm (7.2"x 7.5"x 2.8")



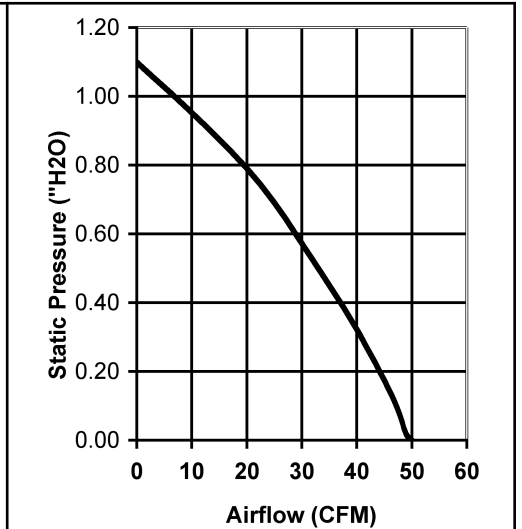
Side Inlet Blower	
Frame & Impeller	Aluminum die-cast shell with UL94V-0 impeller
Connection	Lead Wires
Motor	Single phase, capacitor induction, 2/4 pole, inner rotor, thermal protection -Frame: Aluminum die-cast, natural color treatment case, steel plate housing cover
Bearing System	Dual ball - sealed

Operating Temp: Ambient non-condensing allowable thermal range -20C~+75C

-L10 Life: MTBF life test 80,000 hours at +45C, 40,000 hours at +60C

-Dielectric Strength: Over 1 min. at 1,500 VAC, 0.5mA, 50/60 Hz

-Insulation Resistance: Over 100 Mega Ohm at DC 500V



Model Number	OAB908AN-11-3	OAB908AN-22-3
Part Number	264331000	264631000
Nominal Voltage	115 VAC	230 VAC
Voltage Range	60 ~ 130	100 ~ 260
Rated Power	60 W	60 W
Rated Speed (RPM)	1000	1000
Airflow (CFM)	50	50
Noise Level (dB)	40	40
Max. Static Pressure	1.1 "H2O	1.1 "H2O

Mouser Electronics

Authorized Distributor

Click to View Pricing, Inventory, Delivery & Lifecycle Information:

Orion Fans:

[OAB908AN-22-1/2](#) [OAB908AN-11-1/2](#) [OAB908AN-22-3](#) [OAB908AN-11-3](#)