

NHD-12232KZ-NSW-BBW-P

Graphic Liquid Crystal Display Module

NHD- Newhaven Display
12232- 122 x 32 Pixels
KZ- Model
N- Transmissive
SW- Side White LED Backlight
B- STN- Blue (-)
B- 6:00 Optimal View
W- Wide Temperature
P- 2x10 Pin Header Soldered
RoHS Compliant

Newhaven Display International, Inc.

2661 Galvin Ct.

Elgin IL, 60124

Ph: 847-844-8795

Fax: 847-844-8796

www.newhavendisplay.com

nhtech@newhavendisplay.com

nhsales@newhavendisplay.com

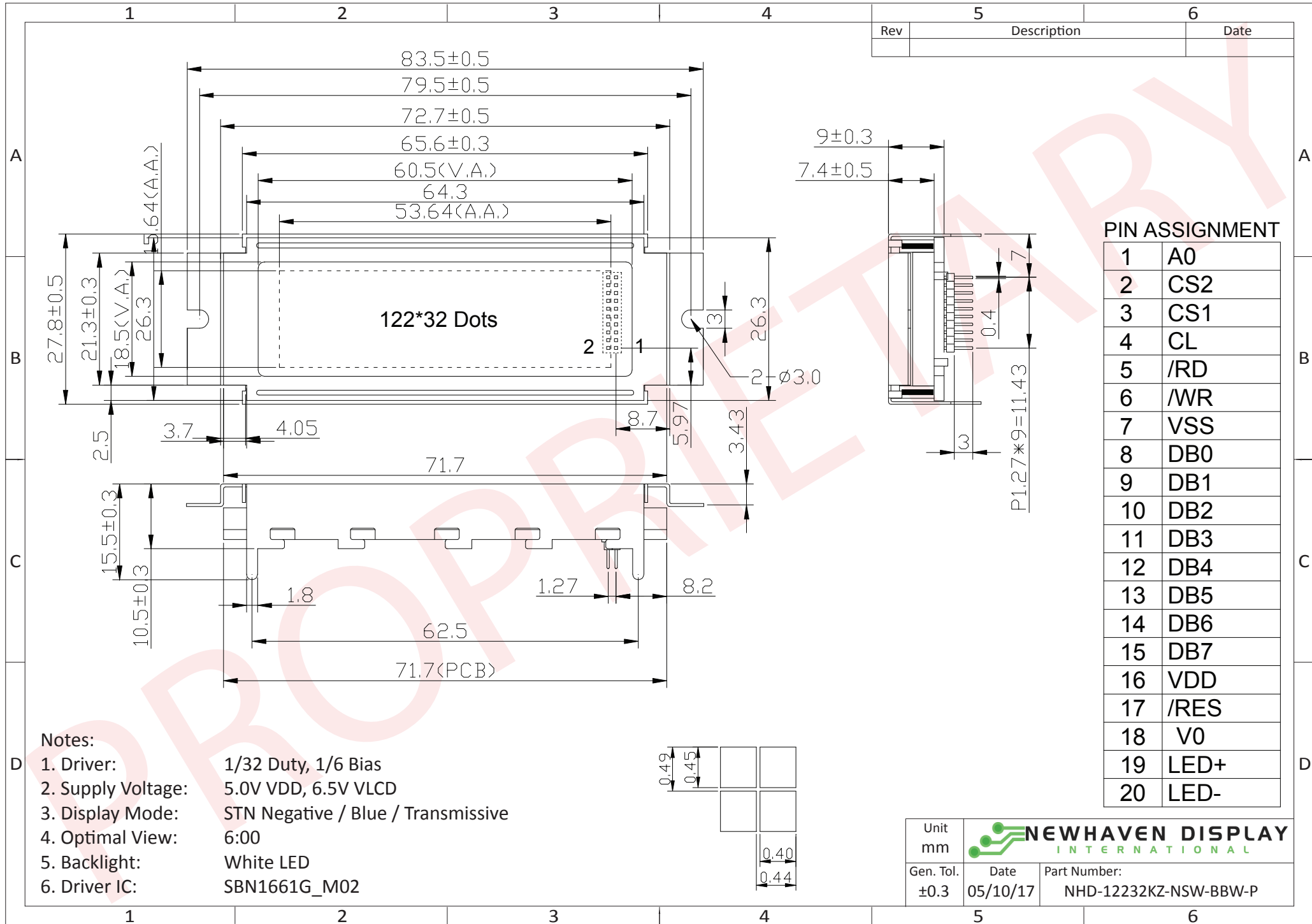
Document Revision History

Revision	Date	Description	Changed by
0	6/7/2007	Initial Release	-
1	9/25/2009	User guide reformat	BE
2	3/15/2010	Pin description, electrical, optical, drawing updated	BE
3	5/10/2010	Initialization updated	BE
4	3/16/2015	Pin description & Example code updated	RM
5	12/2/16	Mechanical Drawing, Electrical & Optical Char. Updated	SB
6	5/10/17	Mechanical & Electrical Characteristics Updated	SB
7	9/1/17	Backlight Characteristics Updated	SB
8	6/20/18	Backlight Supply Current Updated	SB

Functions and Features

- 122 x 32 pixels
- Built-in SBN1661G_M02 Controller
- +5.0V power supply
- 1/32 duty cycle; 1/6 bias
- RoHS Compliant

Mechanical Drawing

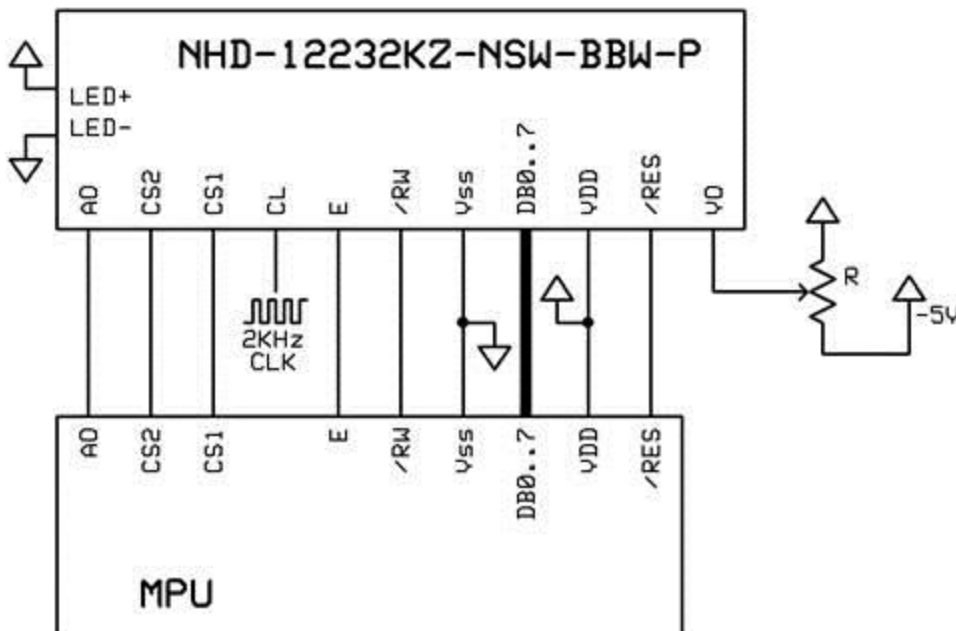


Pin Description and Wiring Diagram

Pin No.	Symbol	External Connection	Function Description
1	A0	MPU	Register Select. 0: instruction; 1: data
2	/CS2	MPU	Active LOW Chip Select Signal for LEFT half of LCD
3	/CS1	MPU	Active LOW Chip Select Signal for RIGHT half of LCD
4	CL	-	Clock signal; Requires 2KHz external clock.
5	E /RD	MPU	6800 Mode: Active HIGH Enable Signal 8080 Mode: Active LOW Read Signal
6	R/W /WR	MPU	6800 Mode: Read/Write select signal. R/W=1: Read R/W: =0: Write 8080 Mode: Active LOW Write Signal
7	V _{SS}	Power Supply	Ground
8-15	DB0-DB7	MPU	This is an 8-bit Bi-directional data bus
16	V _{DD}	Power Supply	Supply Voltage for logic (+5.0V)
17	RESET/IF	MPU	Hardware RESET (edge-sensitive) and interface type selection: Positive Reset: 8080 mode Negative Reset: 6800 mode
18	V ₀	Adj. Power Supply	Supply Voltage for contrast; requires external negative voltage (~1.5V)
19	LED+	Power Supply	Backlight Anode (+5.0V via on-board resistor)
20	LED-	Power Supply	Backlight Cathode (Ground)

Recommended LCD connector: 1.27mm pitch pins

Backlight connector: - **Mates with:** -



Electrical Characteristics

Item	Symbol	Condition	Min.	Typ.	Max.	Unit
Operating Temperature Range	T _{OP}	Absolute Max	-20	-	+70	°C
Storage Temperature Range	T _{ST}	Absolute Max	-30	-	+80	°C
Supply Voltage	V _{DD}	-	4.8	5.0	5.2	V
Supply Current	I _{DD}	V _{DD} = 5.0V	1.0	2.0	3.0	mA
Supply for LCD (Contrast)	V _{LCD}	T _{OP} = 25°C	6.3	6.5	6.7	V
"H" Level input	V _{IH}	-	2.7	-	V _{DD}	V
"L" Level input	V _{IL}	-	V _{SS}	-	1.2	V
"H" Level output	V _{OH}	-	V _{DD} - 0.3	-	V _{DD}	V
"L" Level output	V _{OL}	-	V _{SS}	-	0.3	V
Backlight Supply Voltage	V _{LED}	-	4.8	5.0	5.2	V
Backlight Supply Current	I _{LED}	V _{LED} = 5.0V	50	60	80	mA

Optical Characteristics

Item	Symbol	Condition	Min.	Typ.	Max.	Unit
Optimal Viewing Angles	Top	CR ≥ 2	-	40	-	°
	Bottom		-	60	-	°
	Left		-	45	-	°
	Right		-	45	-	°
Contrast Ratio	CR	-	2	5	-	-
Response Time	Rise	T _{OP} = 25°C	-	150	250	ms
	Fall		-	200	300	ms

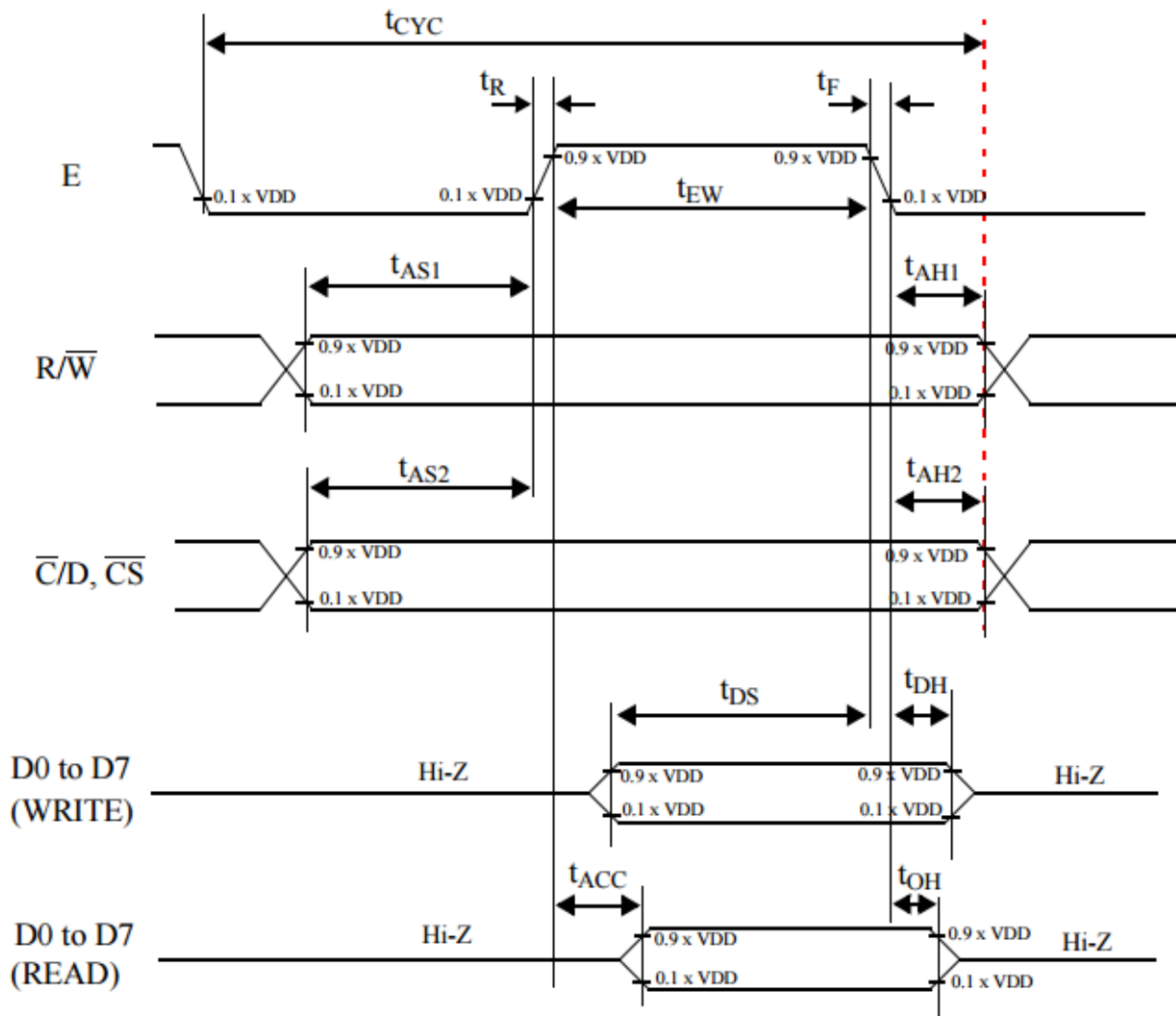
Controller Information

Built-in SBN1661G_M02 controller.

Please download specification at http://www.newhavendisplay.com/app_notes/SBN1661G.pdf

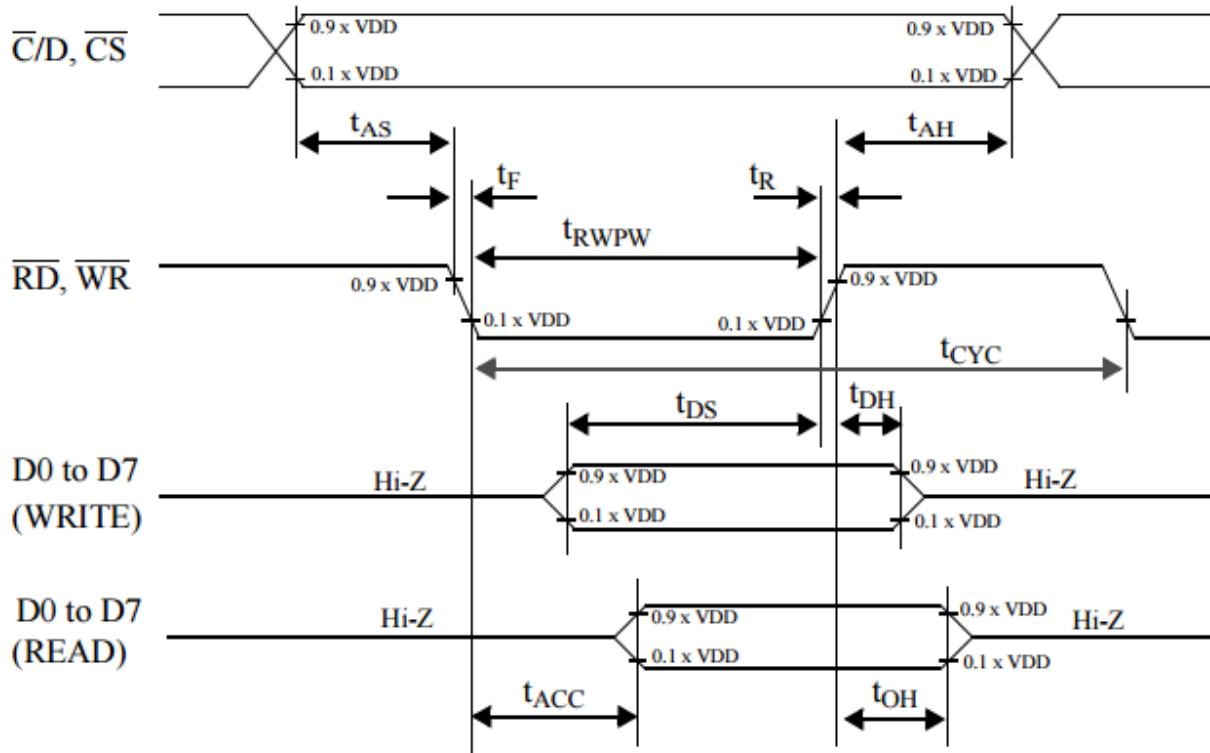
Timing Characteristics

AC timing for interface with a 68-type microcontroller



symbol	parameter	min.	max.	test conditons	unit
t_{AS1}	Address set-up time with respect to R/\overline{W}	20			ns
t_{AS2}	Address set-up time with respect to $\overline{C/D}, \overline{CS}$	20			ns
t_{AH1}	Address hold time with respect to R/\overline{W}	10			ns
t_{AH2}	Address hold time respect with to $\overline{C/D}, \overline{CS}$	10			ns
t_F, t_R	Enable (E) pulse falling/rising time		15		ns
t_{CYC}	System cycle time	1000		Note 1	ns
t_{EWR}	Enable pulse width for READ	100			ns
t_{EWW}	Enable pulse width for WRITE	80			ns
t_{DS}	Data setup time	80			ns
t_{DH}	Data hold time	10			ns
t_{ACC}	Data access time		90	CL= 100 pF.	ns
t_{OH}	Data output hold time	10	60	Refer to Fig. 23.	ns

AC timing for interface with an 80-type microcontroller



symbol	parameter	min.	max.	test conditons	unit
t_{AS}	Address set-up time	20			ns
t_{AH}	Address hold time	10			ns
t_F, t_R	Read/Write pulse falling/rising time		15		ns
t_{RWPW}	Read/Write pulse width	200			ns
t_{CYC}	System cycle time	1000			ns
t_{DS}	Data setup time	80			ns
t_{DH}	Data hold time	10			ns
t_{ACC}	Data READ access time		90	CL= 100 pF.	ns
t_{OH}	Data READ output hold time	10	60	Refer to Fig. 23.	ns

Table of Commands

COMMAND	COMMAND CODE								FUNCTION
	D7	D6	D5	D4	D3	D2	D1	D0	
Write Display Data	Data to be written into the Display Data Memory.								Write a byte of data to the Display Data Memory.
Read Display Data	Data read from the Display Data Memory.								Read a byte of data from the Display Data Memory.
Read-Modify-Write	1	1	1	0	0	0	0	0	Start Read-Modify-Write operation.
END	1	1	1	0	1	1	1	0	Stop Read-Modify-Write operation.
Software Reset	1	1	1	0	0	0	1	0	Software Reset.

Example Initialization Program:

```

/*****/
void Comleft(char i)
{
    CS2 = 0;
    P1 = i;
    R_W = 0;
    D_I = 0;
    E = 1;
    delay(2);
    E = 0;
    CS2 = 1;
}

void Comright(char i)
{
    CS1 = 0;
    P1 = i;
    R_W = 0;
    D_I = 0;
    E = 1;
    delay(2);
    E = 0;
    CS1 = 1;
}

void Writeleft(char i)
{
    CS2 = 0;
    P1 = i;
    R_W = 0;
    D_I = 1;
    E = 1;
    delay(2);
    E = 0;
}

```



```

CS2 = 1;
}

void Writerright(char i)
{
CS1 = 0;
P1 = i;
R_W = 0;
D_I = 1;
E = 1;
delay(2);
E= 0;
CS1 = 1;
}
/*****/
void bothSides(char i)
{
Comleft(i);
Comright(i);
}
/*****/

void init()
{
P1 = 0;
P3 = 0;
RST = 0; //      Reset RST
delay(1);
RST = 1; //      Reset RST= M68 Interface
delay(10);
D_I = 0;
E = 1;
CS1 = 0;
CS2 = 0;
R_W = 1;

bothSides(0xE2);
delay(10);
bothSides(0xA4);
bothSides(0xA9);
bothSides(0xA0);
bothSides(0xEE);
bothSides(0xC0);
bothSides(0xAF);
}
/*****/

```

Quality Information

Test Item	Content of Test	Test Condition	Note
High Temperature storage	Endurance test applying the high storage temperature for a long time.	+80°C , 200hrs	2
Low Temperature storage	Endurance test applying the low storage temperature for a long time.	-30°C , 200hrs	1,2
High Temperature Operation	Endurance test applying the electric stress (voltage & current) and the high thermal stress for a long time.	+70°C 200hrs	2
Low Temperature Operation	Endurance test applying the electric stress (voltage & current) and the low thermal stress for a long time.	-20°C , 200hrs	1,2
High Temperature / Humidity Operation	Endurance test applying the electric stress (voltage & current) and the high thermal with high humidity stress for a long time.	+60°C , 90% RH , 96hrs	1,2
Thermal Shock resistance	Endurance test applying the electric stress (voltage & current) during a cycle of low and high thermal stress.	-20°C,30min -> 25°C,5min -> 70°C,30min = 1 cycle 10 cycles	
Vibration test	Endurance test applying vibration to simulate transportation and use.	10-55Hz , 15mm amplitude. 60 sec in each of 3 directions X,Y,Z For 15 minutes	3
Static electricity test	Endurance test applying electric static discharge.	VS=800V, RS=1.5kΩ, CS=100pF One time	

Note 1: No condensation to be observed.

Note 2: Conducted after 4 hours of storage at 25°C, 0%RH.

Note 3: Test performed on product itself, not inside a container.

Precautions for using LCDs/LCMs

See Precautions at www.newhavendisplay.com/specs/precautions.pdf

Warranty Information and Terms & Conditions

http://www.newhavendisplay.com/index.php?main_page=terms

Mouser Electronics

Authorized Distributor

Click to View Pricing, Inventory, Delivery & Lifecycle Information:

[Newhaven Display:](#)

[NHD-12232KZ-NSW-BBW-P](#)