

PLEASE CHECK WWW.MOLEX.COM FOR LATEST PART INFORMATION

Part Number: **0874391500**
Status: **Active**
Overview: Pico-SPOX Wire-to-Board Connector System
Description: 1.50mm Pitch Pico-SPOX Wire-to-Board Housing, 15 Circuits, Off-White Housing

Documents:

3D Model	Product Specification PS-87437-001-001 (PDF)
Drawing (PDF)	Packaging Specification SPK-87439-001-001 (PDF)
Product Specification 2027050000-000 (PDF)	RoHS Certificate of Compliance (PDF)
Product Specification PS-78047-001-001 (PDF)	Product Literature (PDF)

Agency Certification

CSA	LR19980
UL	E29179

General

Product Family	Crimp Housings
Series	<u>87439</u>
Application	Signal, Wire-to-Board
Overview	<u>Pico-SPOX Wire-to-Board Connector System</u>
Product Literature Order No	USA-235
Product Name	Pico-SPOX
UPC	800753537255

Physical

Circuits (maximum)	15
Color - Resin	Natural
Flammability	94V-0
Gender	Receptacle
Glow-Wire Capable	No
Lock to Mating Part	Yes
Material - Resin	Nylon
Net Weight	0.188/g
Number of Rows	1
Packaging Type	Bag
Panel Mount	No
Pitch - Mating Interface	1.50mm
Polarized to Mating Part	Yes
Stackable	No
Temperature Range - Operating	-55° to +105°C

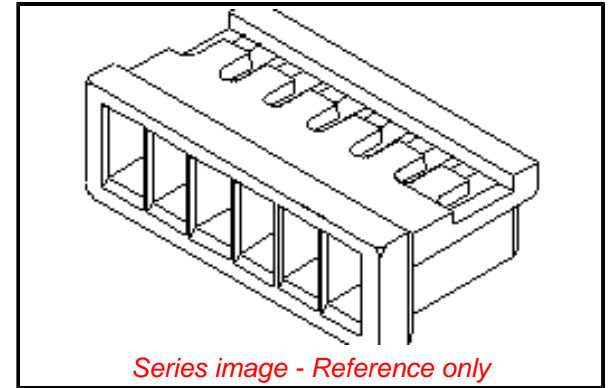
Electrical

Current - Maximum per Contact	2.5A
-------------------------------	------

Material Info

Reference - Drawing Numbers

Packaging Specification	SPK-87439-001-001
Product Specification	2027050000-000, PS-78047-001-001, PS-87437-001-001
Sales Drawing	SD-87439-**00



EU ELV

Not Relevant

EU RoHS

Compliant

REACH SVHC

Not Contained Per - ED/61/2018 (27 June 2018)

Halogen-Free

Status

Low-Halogen

Need more information on product environmental compliance?

Email productcompliance@molex.com
Please visit the [Contact Us](#) section for any non-product compliance questions.

China ROHS

ELV

Prop65

RoHS Phthalates

Green Image

Not Relevant

Compliant

Not Contained

Search Parts in this Series

87439 Series

Mates With

Pico-SPOX Wire-to-Board Header 87437 , 87438

Use With

87421 Pico-SPOX Crimp Terminal

Mouser Electronics

Authorized Distributor

Click to View Pricing, Inventory, Delivery & Lifecycle Information:

[Molex:](#)

[87439-1500](#)