

PLEASE CHECK WWW.MOLEX.COM FOR LATEST PART INFORMATION

Part Number: **0874391200**
Status: **Active**
Overview: Pico-SPOX Wire-to-Board Connector System
Description: 1.50mm Pitch Pico-SPOX Wire-to-Board Housing, 12 Circuits, Off-White Housing

Documents:

| | |
|--|---|
| 3D Model | Product Specification PS-87437-001-001 (PDF) |
| Drawing (PDF) | Packaging Specification SPK-87439-001-001 (PDF) |
| Product Specification 2027050000-000 (PDF) | RoHS Certificate of Compliance (PDF) |
| Product Specification PS-78047-001-001 (PDF) | Product Literature (PDF) |

Agency Certification

| | |
|-----|---------|
| CSA | LR19980 |
| UL | E29179 |

General

| | |
|-----------------------------|--|
| Product Family | Crimp Housings |
| Series | 87439 |
| Application | Signal, Wire-to-Board |
| Overview | Pico-SPOX Wire-to-Board Connector System |
| Product Literature Order No | USA-235 |
| Product Name | Pico-SPOX |
| UPC | 800754313285 |

Physical

| | |
|-------------------------------|----------------|
| Circuits (maximum) | 12 |
| Color - Resin | Natural |
| Flammability | 94V-0 |
| Gender | Receptacle |
| Glow-Wire Capable | No |
| Lock to Mating Part | Yes |
| Material - Resin | Nylon |
| Net Weight | 152.000/mg |
| Number of Rows | 1 |
| Packaging Type | Bag |
| Panel Mount | No |
| Pitch - Mating Interface | 1.50mm |
| Polarized to Mating Part | Yes |
| Stackable | No |
| Temperature Range - Operating | -55° to +105°C |

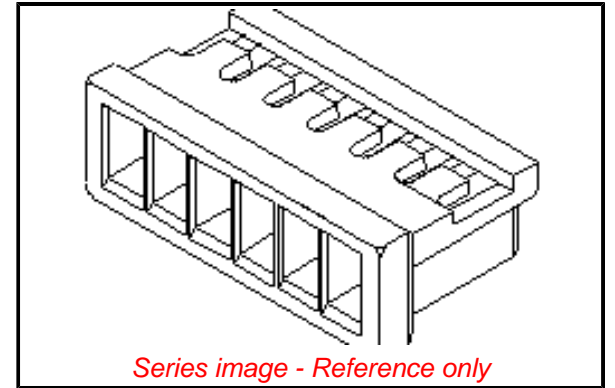
Electrical

| | |
|-------------------------------|------|
| Current - Maximum per Contact | 2.5A |
|-------------------------------|------|

Material Info

Reference - Drawing Numbers

| | |
|-------------------------|--|
| Packaging Specification | SPK-87439-001-001 |
| Product Specification | 2027050000-000, PS-78047-001-001, PS-87437-001-001 |
| Sales Drawing | SD-87439-**00 |



EU ELV

Not Relevant

EU RoHS

Compliant

REACH SVHC

Not Contained Per - ED/61/2018 (27 June 2018)

Halogen-Free

Status

Low-Halogen

For more information, please visit [Contact US](#)

China ROHS

ELV

RoHS Phthalates

China RoHS

Green Image

Not Relevant

Not Contained

Search Parts in this Series

[87439 Series](#)

Mates With

Pico-SPOX Wire-to-Board Header [87437](#) , [87438](#)

Use With

[87421](#) Pico-SPOX Crimp Terminal

Mouser Electronics

Authorized Distributor

Click to View Pricing, Inventory, Delivery & Lifecycle Information:

[Molex:](#)

[87439-1200](#)