

CURRENT TRANSFORMERS

Instrumentation and metering transformers



Donut Style

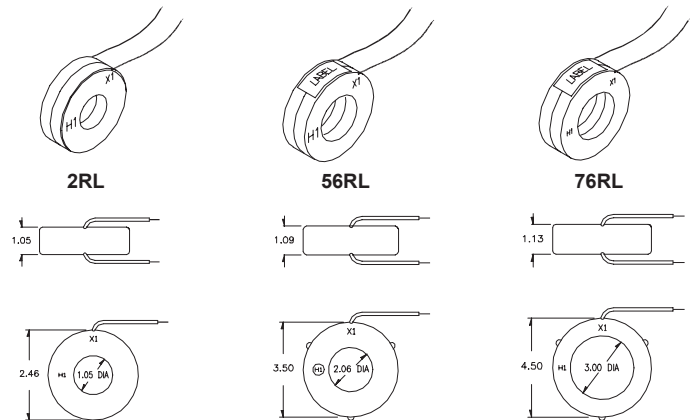
Foot Mounted

Description

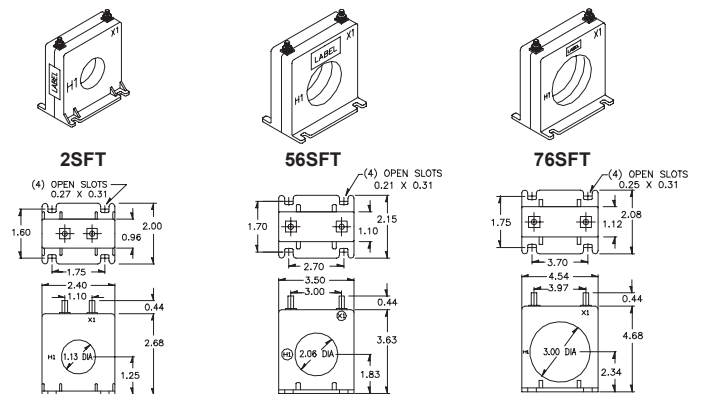
Littelfuse offers a wide array of instrument rated current transformers in 1-3 inch diameter opening.
Voltage class: 600V
BIL rating: 10kV
Certification: cURus (WICC File E100575)

Dimensional Drawing

DONUT STYLE



FOOT MOUNTED WITH BRASS TERMINALS

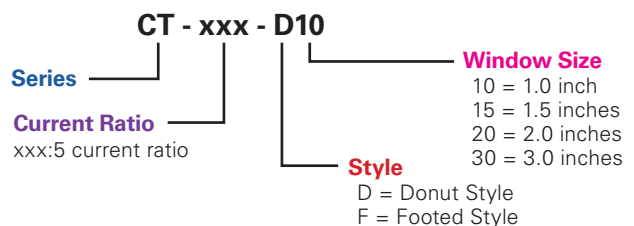


Ordering Information

DONUT MODEL	WINDOW	CURRENT RATIO
CT-0050-D10	1.0"	50:5
CT-0075-D10	1.0"	75:5
CT-0100-D10	1.0"	100:5
CT-0150-D10	1.0"	150:5
CT-0200-D10	1.0"	200:5
CT-0300-D10	1.0"	300:5
CT-0200-D20	2.0"	200:5
CT-0300-D20	2.0"	300:5
CT-0400-D20	2.0"	400:5
CT-0500-D20	2.0"	500:5

FOOTED MODEL	WINDOW	CURRENT RATIO
CT-0050-F10	1.0"	50:5
CT-0100-F10	1.0"	100:5
CT-0150-F10	1.0"	150:5
CT-0200-F10	1.0"	200:5
CT-0300-F10	1.0"	300:5
CT-1200-F15	1.5"	1200:5
CT-0150-F20	2.0"	150:5
CT-0200-F20	2.0"	200:5
CT-0300-F20	2.0"	300:5
CT-0400-F20	2.0"	400:5
CT-0600-F20	2.0"	600:5
CT-0400-F30	3.0"	400:5
CT-0800-F30	3.0"	800:5

Part Numbering System



Disclaimer Notice – Information furnished is believed to be accurate and reliable. However, users should independently evaluate the suitability of and test each product selected for their own applications. Littelfuse products are not designed for, and may not be used in, all applications. Read complete Disclaimer Notice at www.littelfuse.com/product-disclaimer.

Mouser Electronics

Authorized Distributor

Click to View Pricing, Inventory, Delivery & Lifecycle Information:

Littelfuse:

[CT-1200-F15](#) [CT-0050-D10](#) [CT-0800-F30](#) [CT-0400-F30](#) [CT-0300-D10](#) [CT-0200-F20](#) [CT-0300-F20](#) [CT-0150-D10](#)
[CT-0400-D20](#) [CT-0200-F10](#) [CT-0400-F20](#) [CT-0600-F20](#) [CT-0050-F10](#) [CT-0500-D20](#) [CT-0300-D20](#) [CT-0300-F10](#)
[CT-0150-F10](#) [CT-0200-D20](#) [CT-0100-F10](#) [CT-0075-D10](#) [CT-0200-D10](#) [CT-0100-D10](#) [CT-0150-F20](#)