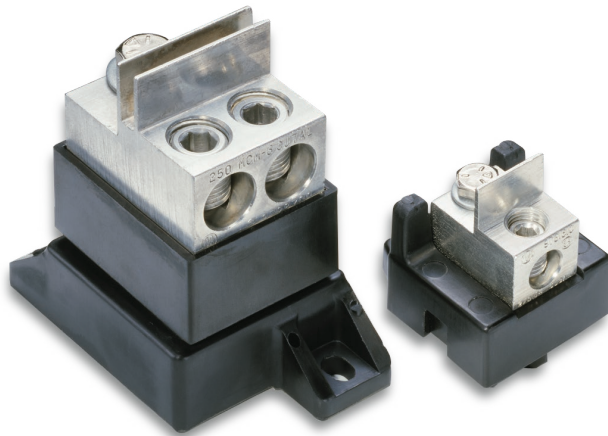


1LFS SERIES HIGH-SPEED FUSE BLOCKS

600 V • 1-400 A



Description

Littelfuse modular style semiconductor fuse blocks accommodate a wide range of semiconductor fuses. Blocks are provided in pairs with fuse mounting hardware.

Features/Benefits

- Modular design reduces inventory requirements
- Sold in pairs for convenience
- Constructed of general purpose phenolic (with tin plated aluminum terminations)

Ordering Information

CATALOG NUMBER	AMPERE RATING	WIRE RANGE	WIRE RATING	APPROVALS
1LFS101	100 A	#2/0 - 14 CU/AL	120 in-lbs	UL Recognized
1LFS102	400 A	250MCM - #6 CU/AL	275 in-lbs	UL Recognized

Recommended Fuses

1LFS101

FUSE SERIES	AMPERE RATINGS
L15S	70-100
L25S	35-100
L50S	35-100
L60S	35-100
KLC	1-100
L50QS	35-100

1LFS102

FUSE SERIES	AMPERE RATINGS
L15S	70-400
L25S	70-200
L50S	125-200
L60S	125-200
L50QS	125-200
JLLS	110-200

Specifications

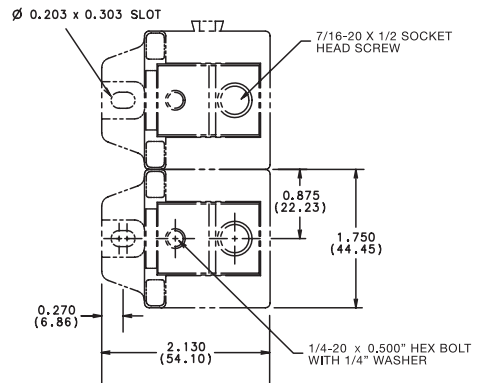
Voltage Rating	600 V
Ampere Rating	1 – 400 A
Approvals	UL Recognized E14721
Material	Base: 150 °C general purpose phenolic Terminal: Tin plated aluminum
Flammability Rating	UL94 V-0

Web Resources

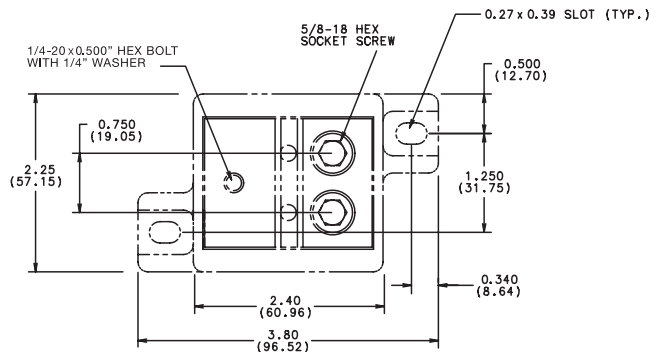
Download CAD drawings and other technical information:
littelfuse.com/1lfs

Dimensions Inches (mm)

1LFS101



1LFS102



Disclaimer Notice – Information furnished is believed to be accurate and reliable. However, users should independently evaluate the suitability of and test each product selected for their own applications. Littelfuse products are not designed for, and may not be used in, all applications. Read complete Disclaimer Notice at www.littelfuse.com/product-disclaimer.

Mouser Electronics

Authorized Distributor

Click to View Pricing, Inventory, Delivery & Lifecycle Information:

[Littelfuse:](#)

[1LS108](#) [1LS104](#) [1LS102](#) [1LS109](#) [1LS101](#) [1LS103](#) [1LS110](#) [LSCR002](#) [LSCR003](#) [1LFS101](#) [1LFS102](#) [LSCR001](#)