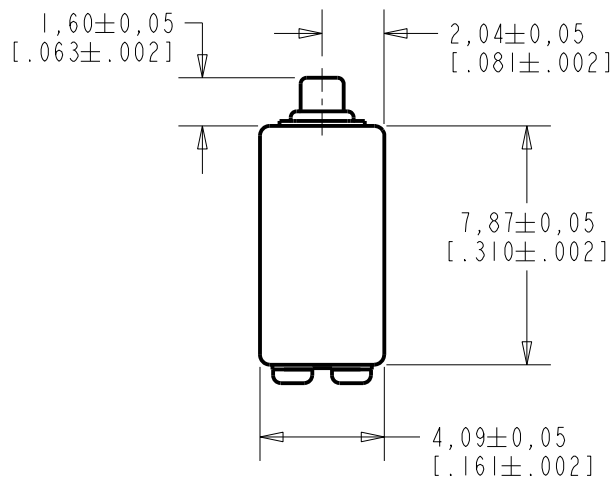


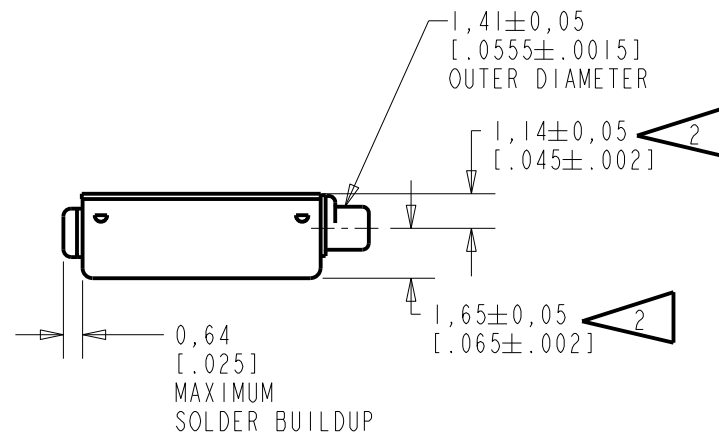
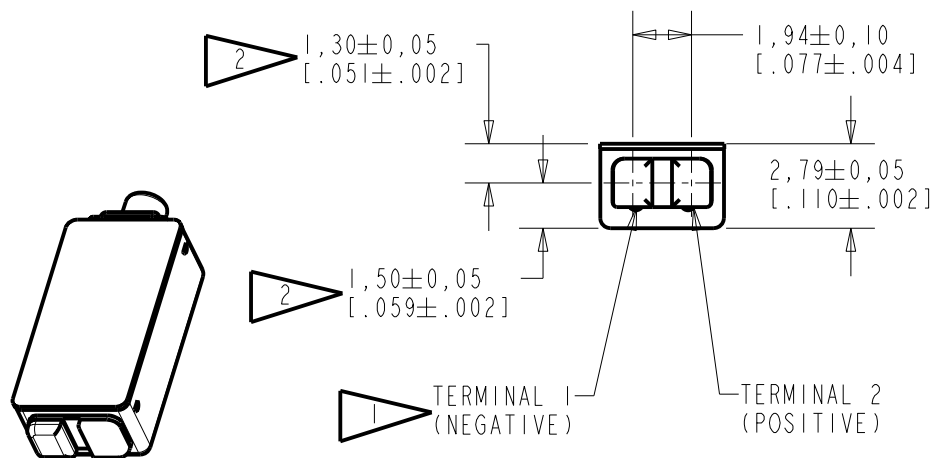
TEC-30033-000

SHT 1.1



NOTES:

- 1 A POSITIVE GOING VOLTAGE AT TERMINAL 2, RELATIVE TO TERMINAL 1, CAUSES A DECREASE IN PRESSURE AT THE SOUND OUTLET.
- 2 LOCATED FROM TWO SURFACES FOR CUSTOMER CONVENIENCE. ONLY APPLICABLE FROM ONE SURFACE, NOT TO BE USED TOGETHER. HORIZONTAL LOCATION FOR TERMINAL CENTERED TO ±0,17 [.007].



NOMINAL WEIGHT
.35 GRAM

DIMENSIONS IN MILLIMETERS [INCHES]

Revision	C.O. #	Implementation Date	RELEASE LEVEL	REVISION
E	CI0116424	11-28-14	Active	E
D	CI0107030	1-30-08		

SCALE: 4:1		DR. BY	DATE
DO NOT SCALE DRAWING		CRG	8-21-06
TITLE: RECEIVER		CK. BY	DATE
OUTLINE DRAWING		GJP	8-28-06
TEC-30033-000		APP. BY	DATE
SHT 1.1		GJP	8-28-06

KNOWLES ELECTRONICS
ITASCA, ILLINOIS U.S.A.

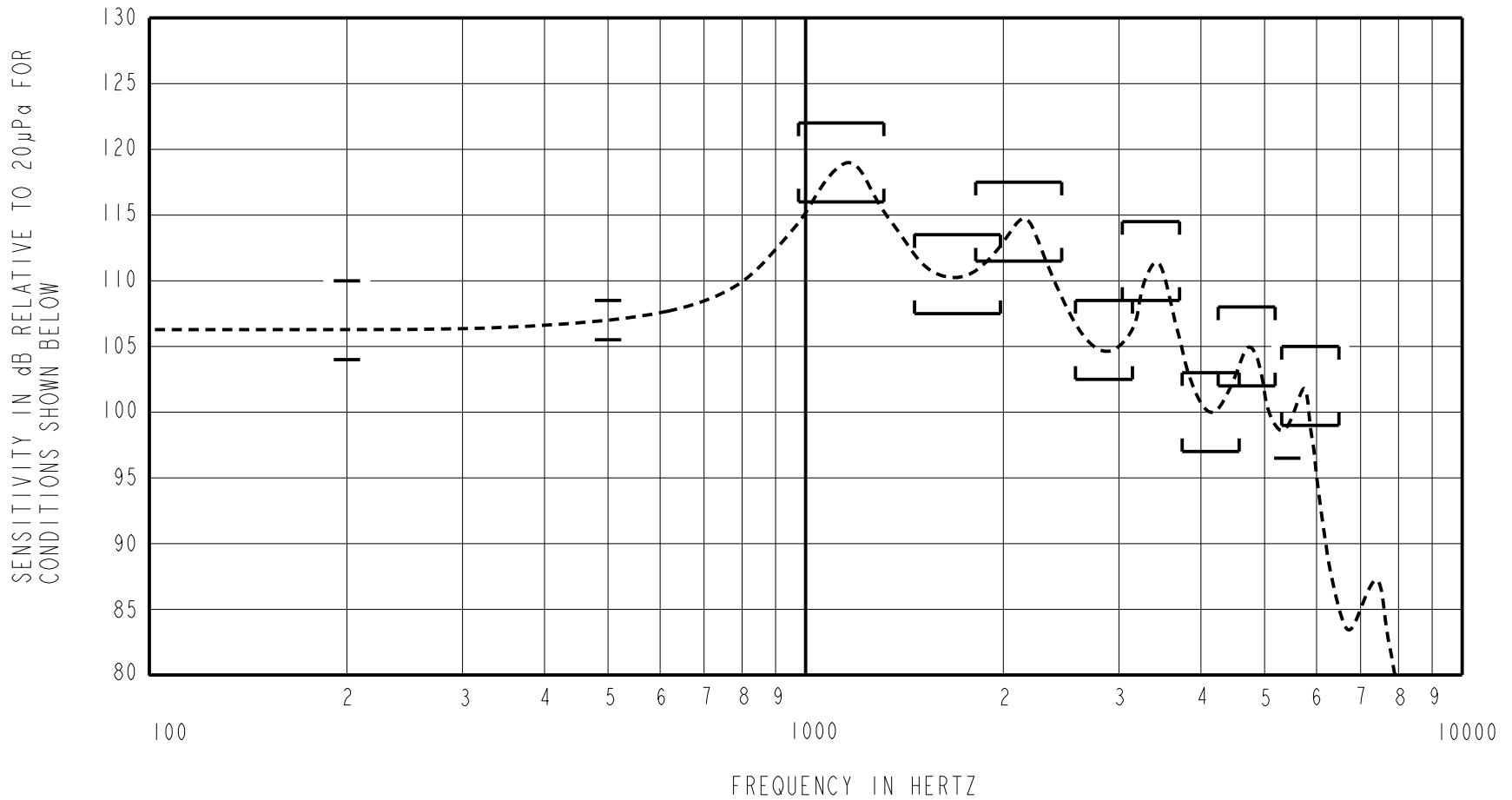
THIS UNIT IS A BALANCED ARMATURE RECEIVER INTENDED FOR USE IN BTE HEARING AIDS, AND IS 1/2 THE SIZE OF AN EF RECEIVER.

NO DAMPING

TEC-30033-000

SHEET 2.1

CONSTANT VOLTAGE DRIVE CONDITIONS



ACOUSTICAL

SENSITIVITY
DEVICE WILL PRODUCE THE SPL LISTED BELOW UNDER TEST CONDITIONS DESCRIBED IN TABLE 3. NOMINAL SENSITIVITY AT 1000 Hz IS dB RELATIVE TO 20µPa. ALL OTHER VALUES IN dB RELATIVE TO THE SENSITIVITY AT 500 Hz.

FREQUENCY (Hz)	MINIMUM	NOMINAL	MAXIMUM
200	-3.0	0.0	+3.0
500	-1.5	107.0	+1.5
975-1315	+9.0	+12.0	+15.0
1465-1980	+0.5	+3.5	+6.5
1815-2455	+4.5	+7.5	+10.5
2575-3145	-4.5	-1.5	+1.5
3035-3710	+1.5	+4.5	+7.5
3745-4575	-10.0	-7.0	-4.0
4250-5190	-5.0	-2.0	+1.0
5412	-10.5	---	---
5310-6490	-8.0	-5.0	-2.0

TABLE 1

TOTAL HARMONIC DISTORTION
DEVICE WILL NOT EXCEED TOTAL HARMONIC DISTORTION LEVELS LISTED BELOW.

FREQUENCY (Hz)	AC DRIVE (V rms)	DC BIAS (mA)	LIMIT (%)
382	0.109	0	5
573	0.109	0	5
573	0.218	0	10

TABLE 2

TEST CONDITIONS

NOMINAL SOURCE VOLTAGE	0.109 V rms, TO DELIVER 0.35 mVA AT 500 Hz
SOURCE IMPEDANCE	<1 Ohm
TUBING	8mm X 1mm ID + 28mm X 1.5mm ID EAR HOOK SIMULATOR + 25mm X 2mm ID TUBE + 18mm X 3mm ID TUBE
COUPLER CAVITY	2 cm ³ , SIMULATED ANSI S3.7 TYPE HA-3 (IEC 60318-5)

TABLE 3

ELECTRICAL

DC RESISTANCE	22 OHMS ± 10%
IMPEDANCE @ 500 Hz	31 OHMS ± 15%
INDUCTANCE @ 500 Hz	7.2 mH ± 15%
CAPACITANCE @ 10 MHz	9.0 pF ± 20%

TABLE 4

ISOLATION: CASE WILL BE ELECTRICALLY ISOLATED FROM THE COIL CIRCUIT.

MECHANICAL

PORT LOCATION: 12C

SOLDER TYPE: SAC305

TEMPERATURE

OPERATING: SENSITIVITY WILL NOT VARY MORE THAN +1/-3 dB FROM -17°C TO 63°C

STORAGE: -40°C TO 63°C

KNOWLES ELECTRONICS
ITASCA, ILLINOIS U.S.A.

Revision	C.O. #	Implementation Date	RELEASE LEVEL	REVISION
E	C10116424	11-28-14	Active	E
D	C10107030	1-30-08		
WHEN TEST LIMITS ARE USED TO ESTABLISH INCOMING INSPECTION ACCEPTANCE/REJECTION CRITERIA, CORRELATION OF TEST EQUIPMENT WITH KNOWLES IS ALSO REQUIRED FOR ELIMINATION OF EQUIPMENT AND TEST METHOD VARIATION			DR. BY	DATE
TITLE: RECEIVER PERFORMANCE SPECIFICATION			CRG	8-21-06
			TEC-30033-000	
			APP. BY	DATE
			GJP	8-28-06
			SHT 2.1	

Mouser Electronics

Authorized Distributor

Click to View Pricing, Inventory, Delivery & Lifecycle Information:

Knowles:

[TEC-30033-000](#) [TEC-30006-000](#) [HODTEC-31323-000](#) [HODTEC-31515-000](#) [RVA-90080-N04](#) [RVA-90080-N14](#)
[TEC-30087-000](#) [RVA-90080-N15](#) [RVA-90080-N01](#) [8101-254097](#) [RVA-90080-N06](#) [RVA-90080-N11](#) [8101-254103](#)
[8101-254104](#) [RVA-90080-N02](#) [8101-254101](#) [8101-254098](#) [8101-254102](#) [RVA-90080-N05](#) [RVA-90080-N20](#) [RVA-](#)
[90080-N19](#) [RVA-90080-N07](#) [TEC-30033-B22](#) [RVA-90080-N13](#) [RVA-90080-N03](#) [8101-254100](#) [RVA-90080-N18](#)
[RVA-90080-N12](#) [RVA-90080-N16](#) [RVA-90080-N17](#) [8101-254099](#) [RVA-90080-N08](#)