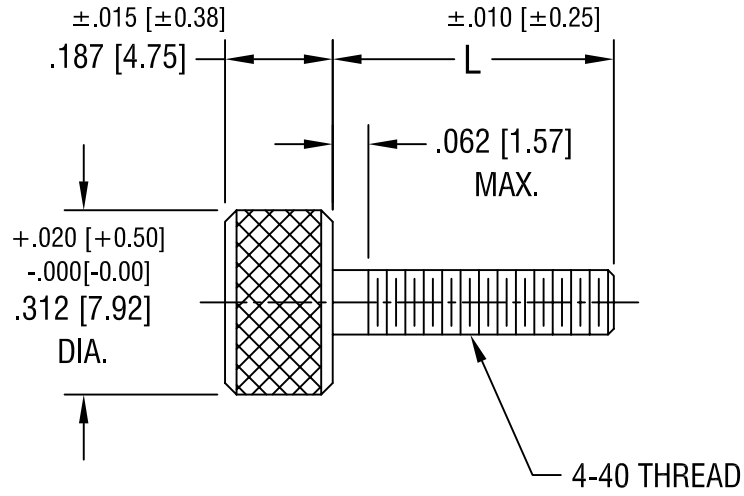
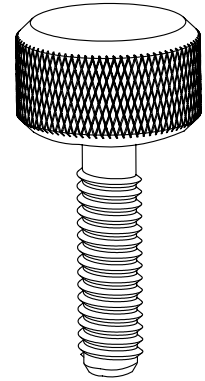


THIS DOCUMENT IS THE PROPERTY OF
KEYSTONE ELECTRONICS CORP. AND
SHALL NOT BE REPRODUCED, DISTRIBUTED
OR USED AS A BASIS FOR MANUFACTURE
WITHOUT PRIOR WRITTEN PERMISSION
FROM KEYSTONE ELECTRONICS CORP.



| PART NO. | 'L' DIM. |
|----------|--------------|
| 2400 | .312 [7.92] |
| 2401 | .375 [9.52] |
| 2402 | .437 [11.10] |
| 2403 | .500 [12.70] |

| | | | |
|-----------------------------------|-----------------|-----------------|------------------|
| KEYSTONE ELECTRONICS CORP. | | | |
| ASTORIA, N.Y. 11105-2017 | | | |
| PART NAME | | THUMB SCREW | |
| MATERIAL | | STAINLESS STEEL | |
| FINISH | - | DRN BY BOONE | DATE 12.4.95 |
| | | APP'D LN | SCALE 3X |
| TOLERANCES | INCH [MM] | CODE | DWG NO. |
| DECIMAL | ± .005 [± 0.15] | C/M | 2400-2403 |
| ANGULAR | ± 1° | | |
| UNLESS OTHERWISE SPECIFIED | | | |

| | | |
|---------|--------------------------|------|
| 7.16.08 | CHANGE AS PER ECN 08-127 | A |
| DATE | DESCRIPTION | REV. |

Mouser Electronics

Authorized Distributor

Click to View Pricing, Inventory, Delivery & Lifecycle Information:

[Keystone Electronics:](#)

[2400](#)