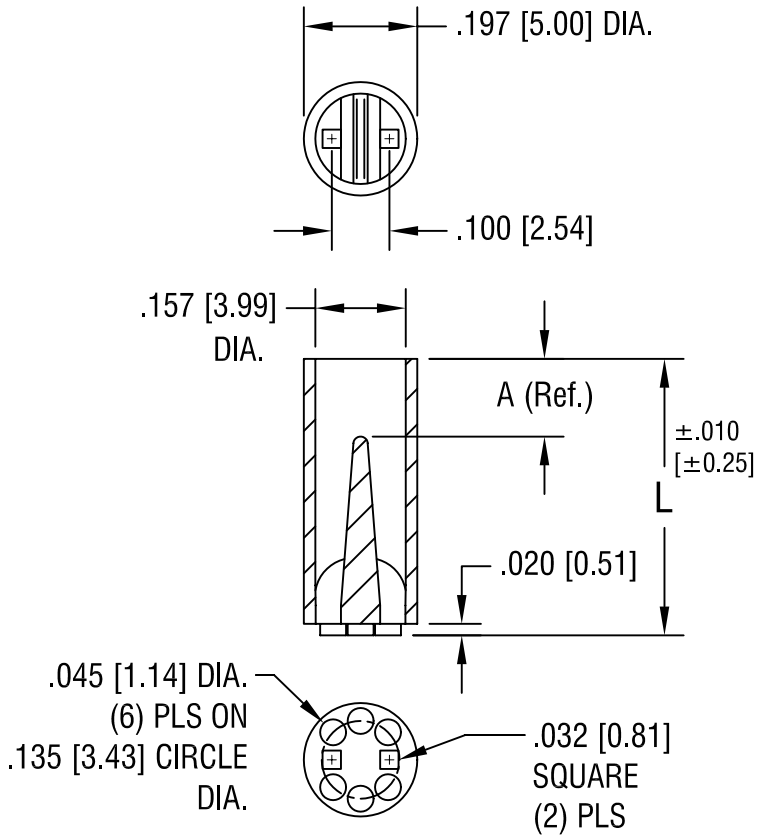


THIS DOCUMENT IS THE PROPERTY OF  
KEYSTONE ELECTRONICS CORP. AND  
SHALL NOT BE REPRODUCED, DISTRIBUTED  
OR USED AS A BASIS FOR MANUFACTURE  
WITHOUT PRIOR WRITTEN PERMISSION  
FROM KEYSTONE ELECTRONICS CORP.



| PART NO. | 'L' DIM.     | 'A' DIM. REF. |
|----------|--------------|---------------|
| 8327     | .400 [10.16] | .075 [1.91]   |
| 8328     | .420 [10.67] | .095 [2.41]   |
| 8329     | .440 [11.18] | .115 [2.92]   |
| 8330     | .450 [11.43] | .120 [3.05]   |
| 8331     | .460 [11.68] | .135 [3.43]   |
| 8332     | .480 [12.19] | .145 [3.68]   |
| 8333     | .500 [12.70] | .055 [1.40]   |
| 8334     | .550 [13.97] | .095 [2.41]   |
| 8335     | .600 [15.24] | .150 [3.81]   |
| 8336     | .650 [16.51] | .075 [1.91]   |
| 8337     | .700 [17.78] | .120 [3.05]   |
| 8338     | .750 [19.05] | .055 [1.40]   |
| 8339     | .800 [20.32] | .110 [2.79]   |
| 8340     | .850 [21.59] | .160 [4.06]   |
| 8341     | .900 [22.86] | .200 [5.08]   |
| 8342     | .925 [23.50] | .230 [5.84]   |

**KEYSTONE ELECTRONICS CORP.**

ASTORIA, N.Y. 11105-2017

PART NAME

BI-LEAD LED SPACER, T-1 3/4

MATERIAL

NYLON 6/6

FINISH

-

DRN BY

BOONE

DATE

11.14.96

APP'D

LN

SCALE

3X

TOLERANCES

INCH [MM]  
DECIMAL ± .005 [± 0.15]

CODE

DWG NO.

ANGULAR ± 1°  
UNLESS OTHERWISE SPECIFIED

C/M

**8327-8342**

|         |                          |      |
|---------|--------------------------|------|
| 5.4.99  | CHANGE AS PER ECN 99-044 | B    |
| 3.18.99 | CHANGE AS PER ECN 99-027 | A    |
| DATE    | DESCRIPTION              | REV. |

# Mouser Electronics

Authorized Distributor

Click to View Pricing, Inventory, Delivery & Lifecycle Information:

[Keystone Electronics:](#)

[8334](#)