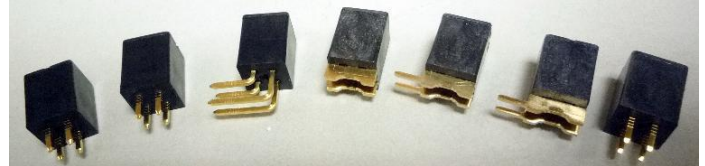


SENSOR SWITCH

Item No.	RBS07 Series	Description	TILT SWITCH	Version	13
Page	1 of 16		Date	Nov. 04, 2013	

● **FUNCTIONS**

1. 45° Tilt Detecting within a 360° radius
2. 45° Tilt Detecting within a 360° radius with 45° bended leads.
3. Up-Side Down Detecting



● **APPLICATIONS**

1. Automatically shut off for home appliances
2. Wake up systems for power saving, such like remote controllers
3. Anti-theft / Anti-tamper devices
4. Rotation Detection for monitor
5. Alarm system
6. Earthquake detecting
7. Automatically shut off for Sporting equipment
8. Entertainment device: video game consoles, toys
9. Garage door opener.



SENSOR SWITCH

Item No.	RBS07 Series	Description	TILT SWITCH	Version	13
Page	2 of 16		Date	Nov. 04, 2013	

● FEATURES

1. PCB direction for application :
 - 1.1 Horizontal PCB: RBS070310 、RBS070311 、RBS070500T
 - 1.2 Vertical PCB: RBS070410 、RBS070500T 、RBS070600
 - 1.3 Sloping PCB at 45°: RBS070412
2. Item RBS070500T and RBS070600 are resistant to magnetization.
3. Switch state : Normal close
4. Housing made of high insulation plastic material, free from electric conduction and rust problem.
5. Gold-plated ball and terminals, low possibility of oxidization.
6. All plastic materials subject to industrial purpose, resist high temperature and meet fireproof function.
7. Simple ON and OFF signals, easy for design.
8. RoHS compliance, an ideal substitute for mercury switch.
9. A more economical tilt and rotation detection option than IC design solution.
10. All made in Taiwan and examined before shipment.

● PATENTS

1. Taiwan Patent No. M 437246
2. Japan Patent No. 3148127 (RBS070311)
3. U.S.A. Patent No. US 6,518,523 B1
4. U.S.A. Patent No. US 7,256,360 B1
5. China Patent No. 201220308500.8

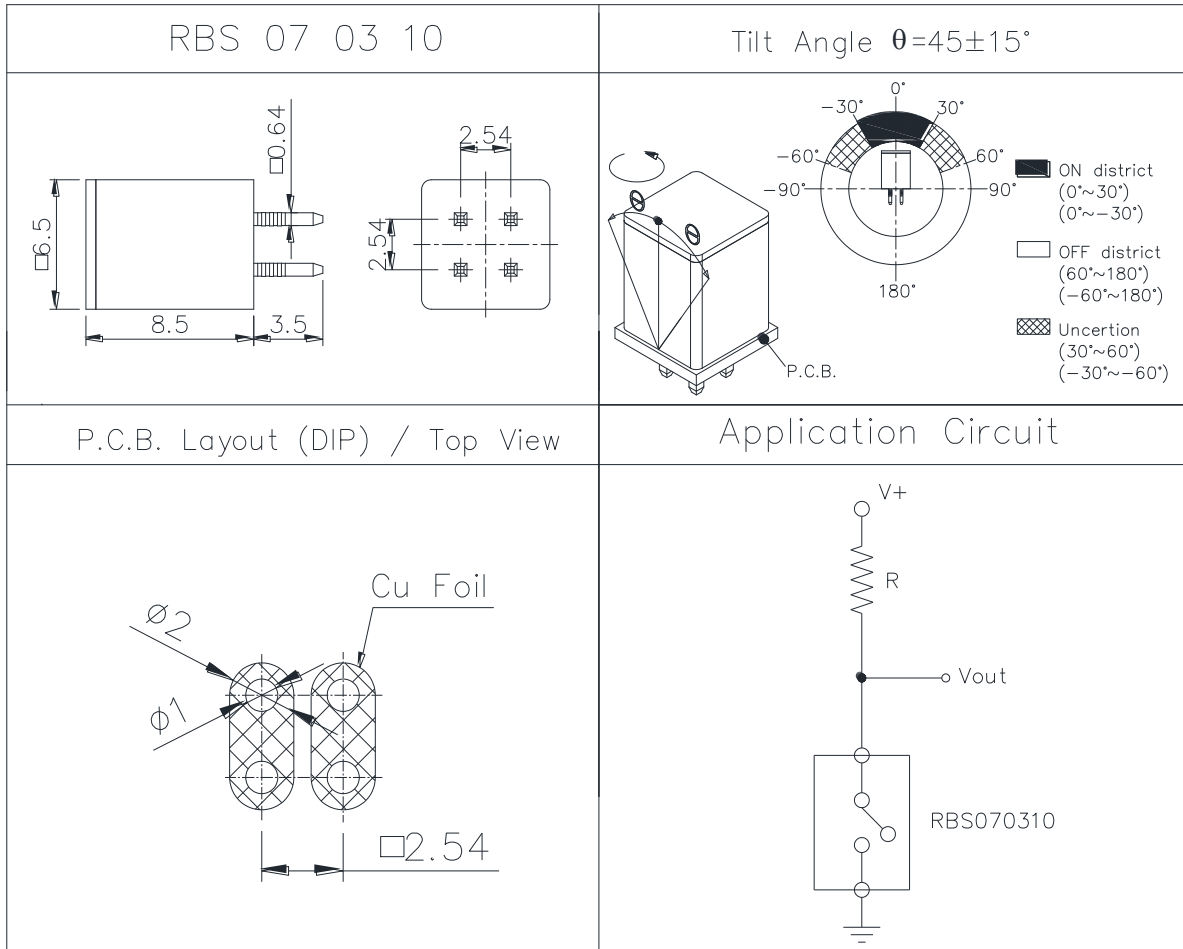


SENSOR SWITCH

Item No.	RBS07 Series	Description	TILT SWITCH	Version	13
Page	3 of 16		Date	Nov. 04, 2013	

● DIMENSIONS / OPERATION / P.C.B. LAYOUT (Unit: mm, Tolerance: ±0.25mm)

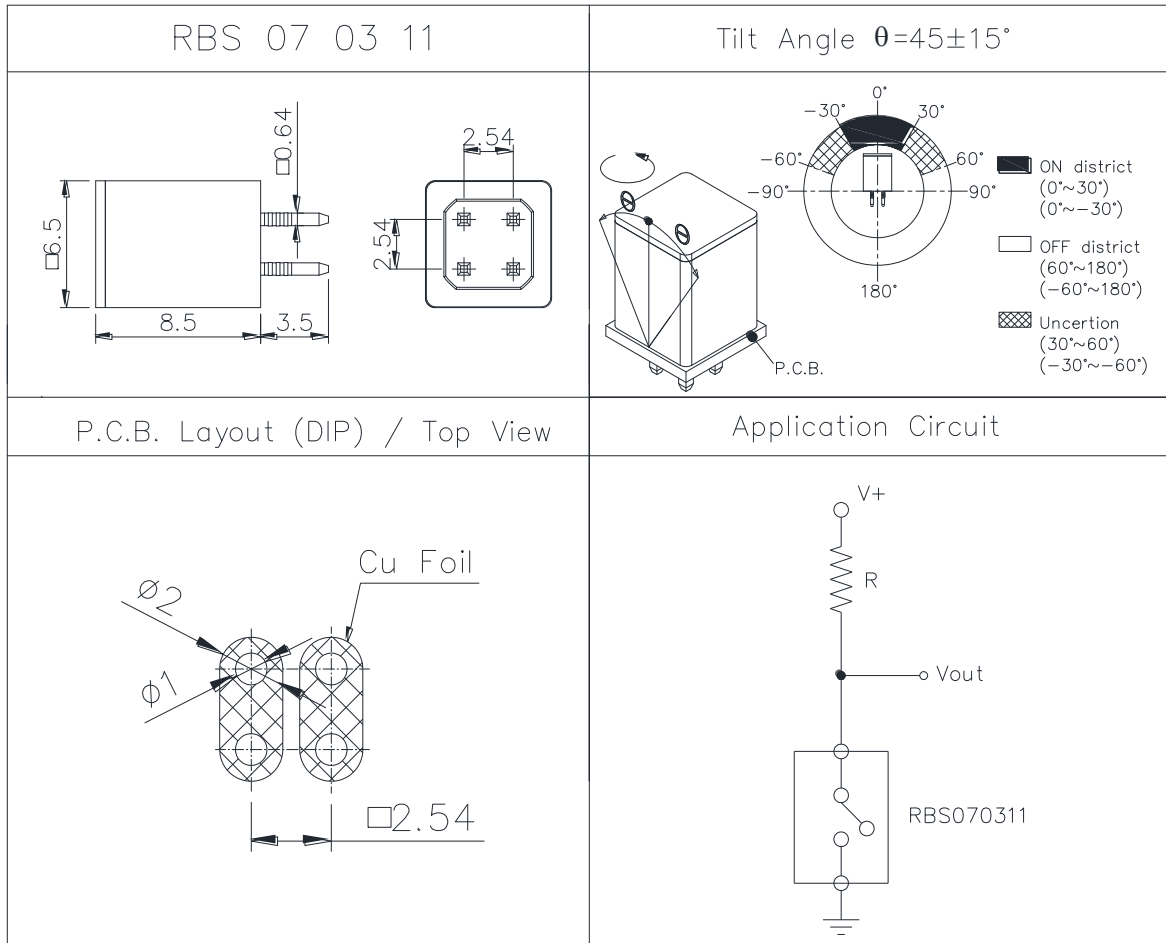
Fig. 1



SENSOR SWITCH

Item No.	RBS07 Series	Description	TILT SWITCH	Version	13
Page	4 of 16		Date	Nov. 04, 2013	

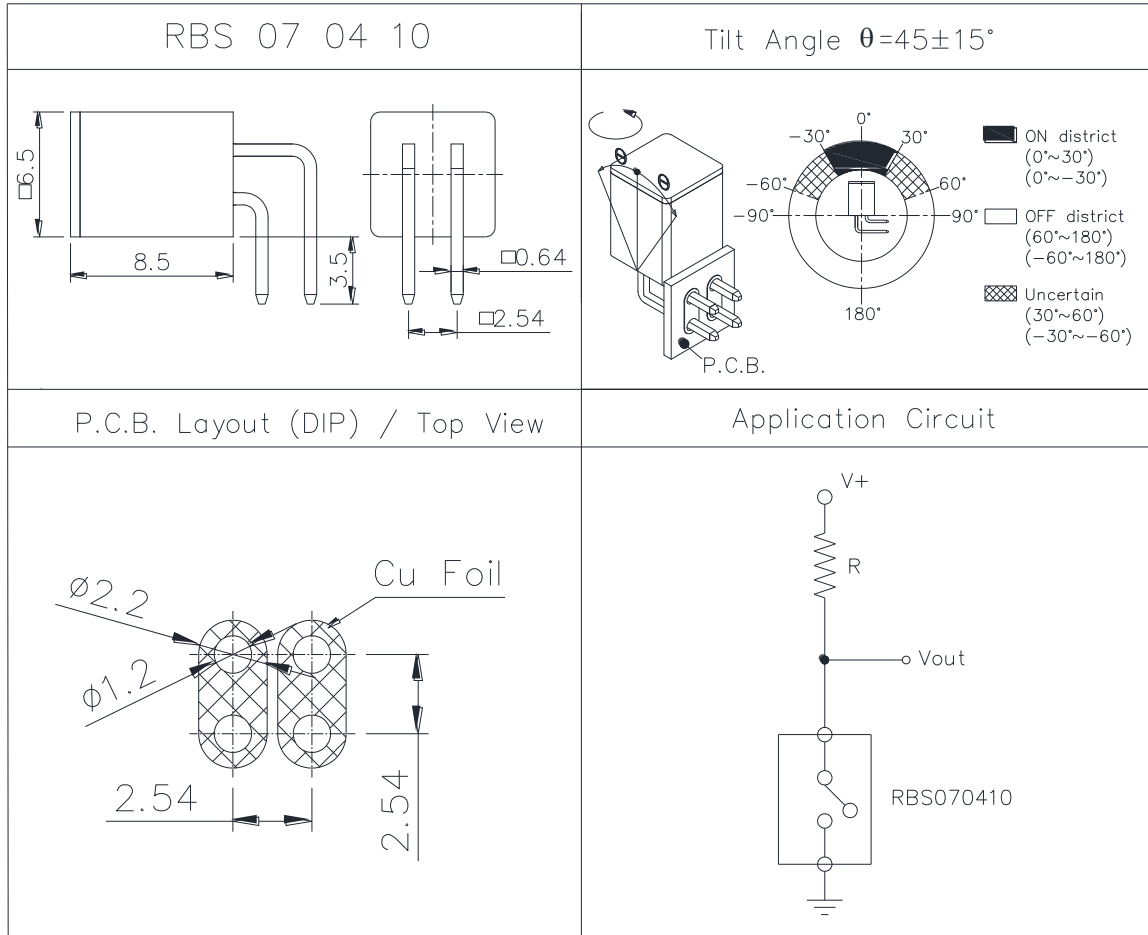
Fig. 2



SENSOR SWITCH

Item No.	RBS07 Series	Description	TILT SWITCH	Version	13
Page	5 of 16		Date	Nov. 04, 2013	

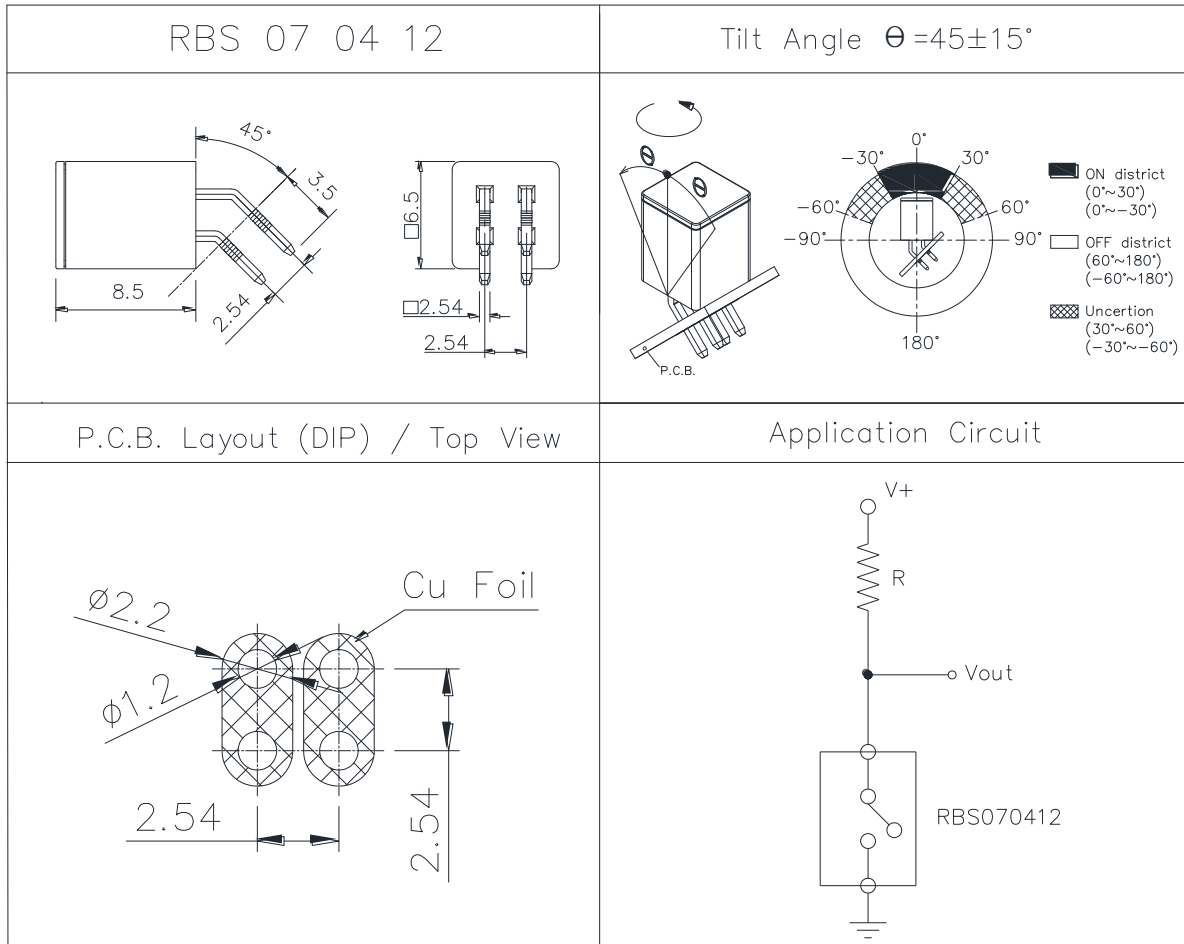
Fig. 3



SENSOR SWITCH

Item No.	RBS07 Series	Description	TILT SWITCH	Version	13
Page	6 of 16		Date	Nov. 04, 2013	

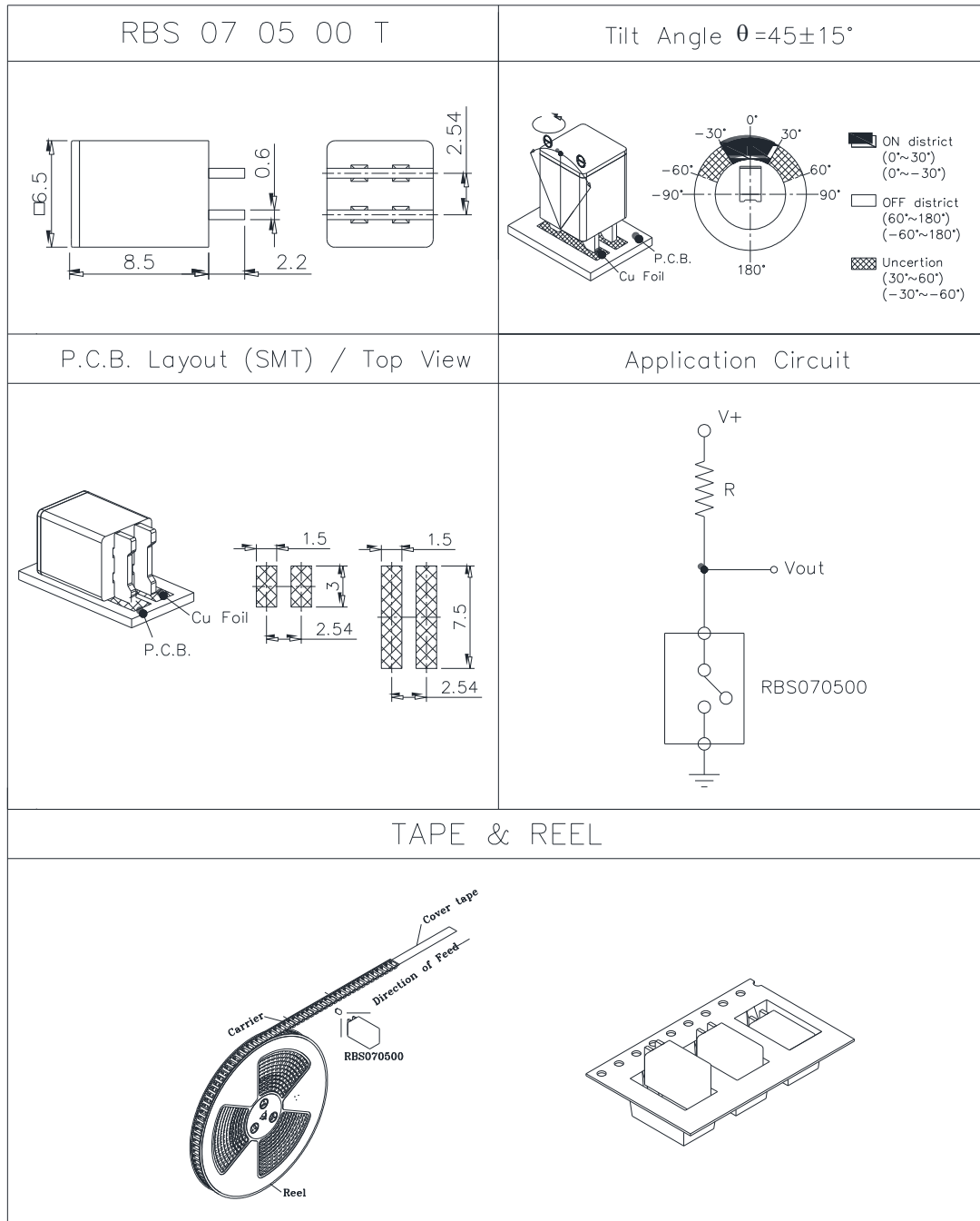
Fig. 4



SENSOR SWITCH

Item No.	RBS07 Series	Description	TILT SWITCH	Version	13
Page	7 of 16		Date	Nov. 04, 2013	

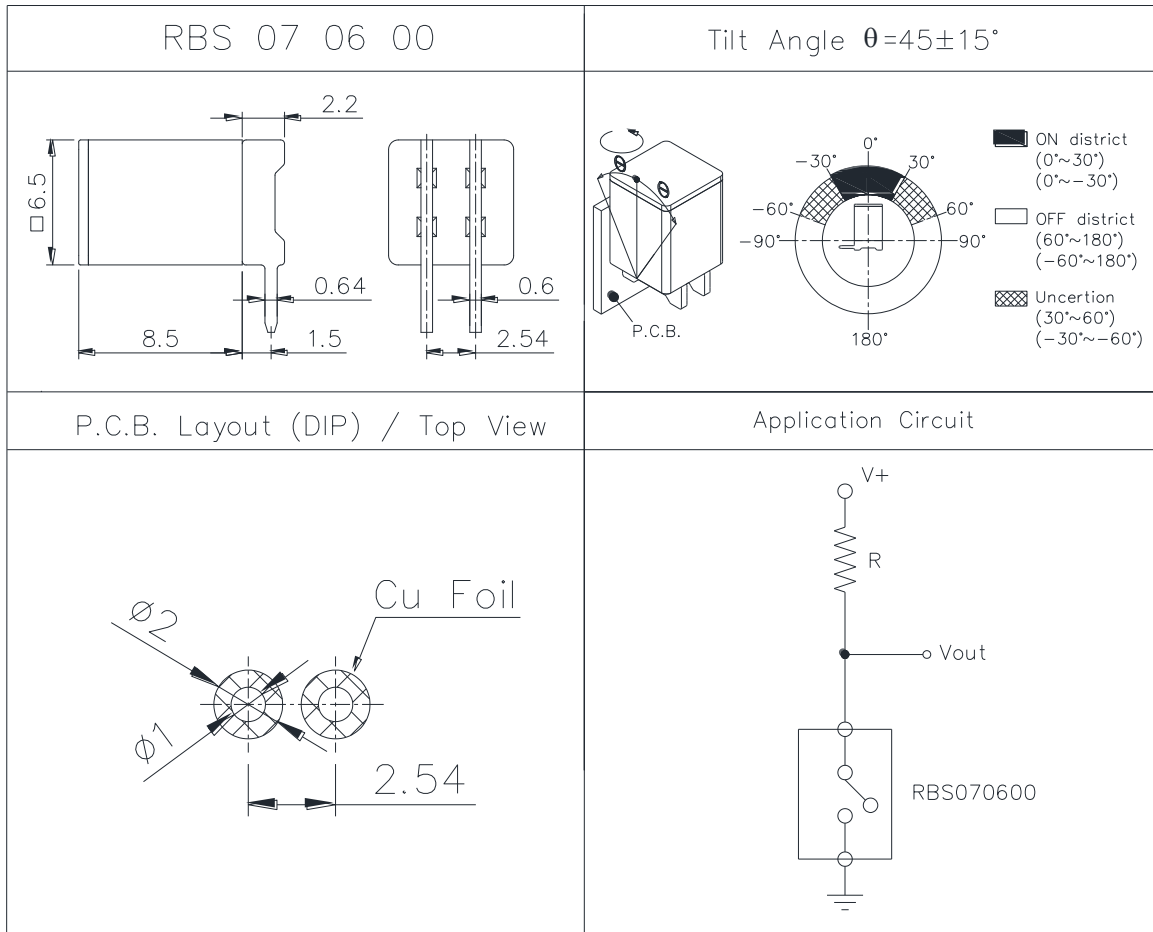
Fig. 5



SENSOR SWITCH

Item No.	RBS07 Series	Description	TILT SWITCH	Version	13
Page	8 of 16		Date	Nov. 04, 2013	

Fig. 6



SENSOR SWITCH

Item No.	RBS07 Series	Description	TILT SWITCH	Version	13
Page	9 of 16		Date	Nov. 04, 2013	

● Current/Voltage Suggested

Input Current (mA)	Operating Voltage (V)	Condition
10	5	--

● ELECTRICAL CHARACTERISTICS

1.	Contact Rating	10 mA, 5VDC
2.	Contact Resistance	10 Ω max.
3.	Differential Angle	Refer to Fig .1~Fig. 6
4.	Insulation Resistance	1000 MΩ min. at 100VDC
5.	Dielectric Strength	500 VDC min. for 1 minute
6.	Capacitance	5 pF max.
7.	Avg. conductive rate: 98% min.	RBS070310、RBS070410、RBS070412
8.	Min. conductive rate: 90% min.	RBS070311、RBS070500T、RBS070600



SENSOR SWITCH

Item No.	RBS07 Series	Description	TILT SWITCH	Version	13
Page	10 of 16		Date	Nov. 04, 2013	

● RELIABLE TEST ITEMS

Reliable Test for RBS07 Series

Test Item	Standard	Contents
IR Reflow RBS070500T、RBS070600	MIL-STD-202G, TEST METHOD 210F、 IPC/JEDEC J-STD-020D	Peak temp.=255~260°C*3times
Operating Temperature	MIL-STD-202G, TEST METHOD 107G, TEST A	-25°C~85°C
Storage Temperature	MIL-STD-202G, TEST METHOD 107G, TEST A	-40°C~85°C
Humidity	MIL-STD-202G, TEST METHOD 103B	40°C/95%RH
Mechanical Life	--	2 Hz, horizontal 1,000,000 times
Electrical Life	--	100,000 times



SENSOR SWITCH

Item No.	RBS07 Series	Description	TILT SWITCH	Version	13
Page	11 of 16		Date	Nov. 04, 2013	

● SOLDERING CONDITION

Following soldering conditions are for reference only, please use soldering information that solder paste manufacturer recommends.

Condition Operation Method	Soldering Temperature	Soldering Time	Wattage of Manual Soldering	Suitable Production Process
IR Reflow	Please refer to following < Table of classification Reflow profile > and Fig. 7		-	SMT
Wave Soldering	260±5°C	< 5 seconds max.	-	DIP
Manual Soldering	260±5°C	< 5 seconds max.	20W or Temperature-controlled manual soldering	DIP · SMT

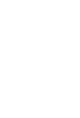


SENSOR SWITCH

Item No.	RBS07 Series	Description	TILT SWITCH	Version	13
Page	12 of 16		Date	Nov. 04, 2013	

< Table of classification Reflow profile >

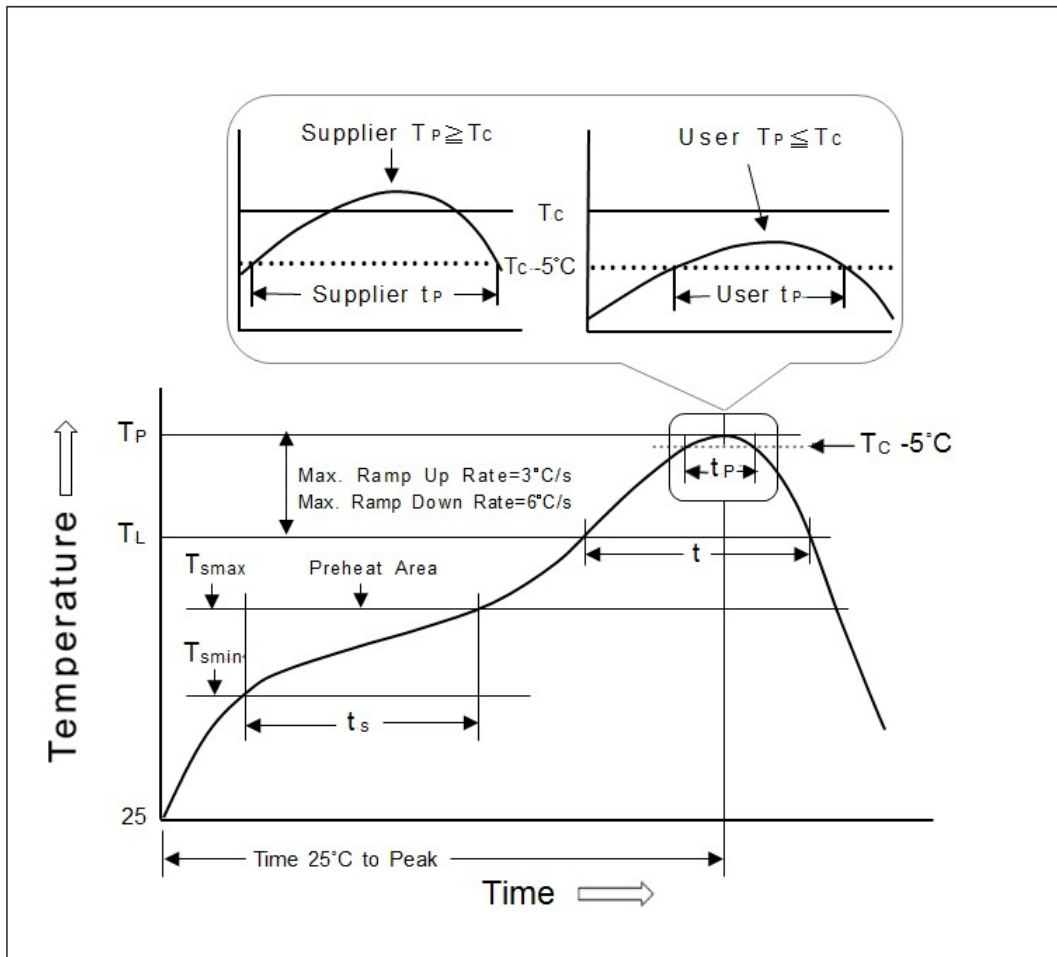
Item	Pb process	Pb free process
Pre-heat and Soak Temperature min.(T _{min}) Temperature max.(T _{max}) Time (T _{min} to T _{max})(ts)	100 °C 150 °C 60-120 seconds	150 °C 200 °C 60-120 seconds
Average Rate of temperature rising up (T _{max} to T _p)	3 °C/second max.	3 °C/second max.
Liquidous Temperature (TL) Time at Liquidous (tL)	183 °C 60-150 seconds	217 °C 60-150 seconds
Peak package body Temperature (T _p)*	230 °C ~235 °C *	255 °C ~260 °C *
Classification temperature(T _c)	235 °C	260 °C
Time(tp)** within 5 °C of the specified classification temperature (T _c)	20** seconds	30** seconds
Average ram-down Rate (T _p to T _{max})	6 °C/second max.	6 °C/second max.
Time 25 °C to peak temperature	6 minutes max.	8 minutes max.
<p>* Tolerance for peak profile temperature (T_p) is defined as a supplier minimum and a user maximum. ** Tolerance for time at peak profile temperature (tp) is defined as a supplier minimum and a user maximum.</p>		



SENSOR SWITCH

Item No.	RBS07 Series	Description	TILT SWITCH	Version	13
Page	13 of 16		Date	Nov. 04, 2013	

Fig. 7



SENSOR SWITCH

Item No.	RBS07 Series	Description	TILT SWITCH	Version	13
Page	14 of 16		Date	Nov. 04, 2013	

● PACKAGE

	Part Number	Package	Quantity	Total	Size(mm)
1.	RBS070310 RBS070311	PE Bag	500 pcs	500 pcs	205L*145W
		Inner Box	10 PE Bags	5,000 pcs	348L*191W*85H
		Carton	3 Boxes	15,000 pcs	364L*278W*213H
2.	RBS070410 RBS070412	PE Bag	500 pcs	500 pcs	205L*145W
		Inner Box	8 PE Bags	4,000 pcs	348L*191W*85H
		Carton	3 Boxes	12,000 pcs	364L*278W*213H
3.	RBS070500	PE Bag	500 pcs	500 pcs	205L*145W
		Inner Box	8 PE Bags	4,000 pcs	348L*191W*85H
		Carton	3 Boxes	12,000 pcs	364L*278W*213H
4.	RBS070600	PE Bag	500 pcs	500 pcs	205L*145W
		Inner Box	8 PE Bags	4,000 pcs	348L*191W*85H
		Carton	3 Boxes	12,000 pcs	364L*278W*213H

※ Package shown as below for reference.



PE Bag



Inner box



Carton



SENSOR SWITCH

Item No.	RBS07 Series	Description	TILT SWITCH	Version	13
Page	15 of 16		Date	Nov. 04, 2013	

	Part Number	Package	Quantity	Total	Size(mm)
1.	RBS070500T	Tape & Reel	800 pcs	800 pcs	φ330*25H
		Inner Box	2 Reels	1,600 pcs	355L*340W*68H
		Carton	10 Boxes	16,000 pcs	705L*365W*375H

※ Package shown as below for reference.



SENSOR SWITCH

Item No.	RBS07 Series	Description	TILT SWITCH	Version	13
Page	16 of 16		Date	Nov. 04, 2013	

● NOTE

1. Suggestion for usage : For vibration usage or application , we suggest to add hysteresis for IC; if vibration is heavy , optical type of sensor switch is recommended.
2. For the continued product improvement as one of the company policy, specifications may change or update without notice. The latest information can be obtained through our sales offices. Normally, all products are supplied under our standard conditions.
3. If buyer's products will stay in power supply for a long time which needs very high stability, optical sensor switch is strongly recommended.

● PRECAUTIONS FOR USE

1. If the products is intended to be used for other endurance equipment requiring higher safety and reliability such as life support system, space and aviation devices, disaster and safety system, it's necessary to make verification of conformity or contact us for the details before using.
2. Do not try to clean the switch with a solvent or similar substance after the soldering process.
3. If soldering temperature exceeds our specification, sensor switch could get apart.
4. Use water-soluble flux may damage the switch.
5. Do not use switch in the environment of high humidity , because such an environment may cause the leakage current between the terminals.
6. More than the rated load may cause fire, so do not use more than the load.
7. In the circuit , switch should not be near or directly connected with the magnetic component solder joints (for example: relays, transformers, etc.).



Mouser Electronics

Authorized Distributor

Click to View Pricing, Inventory, Delivery & Lifecycle Information:

[OncQue:](#)

[RBS070500T](#) [RBS070600](#) [RBS070310](#) [RBS070410](#)