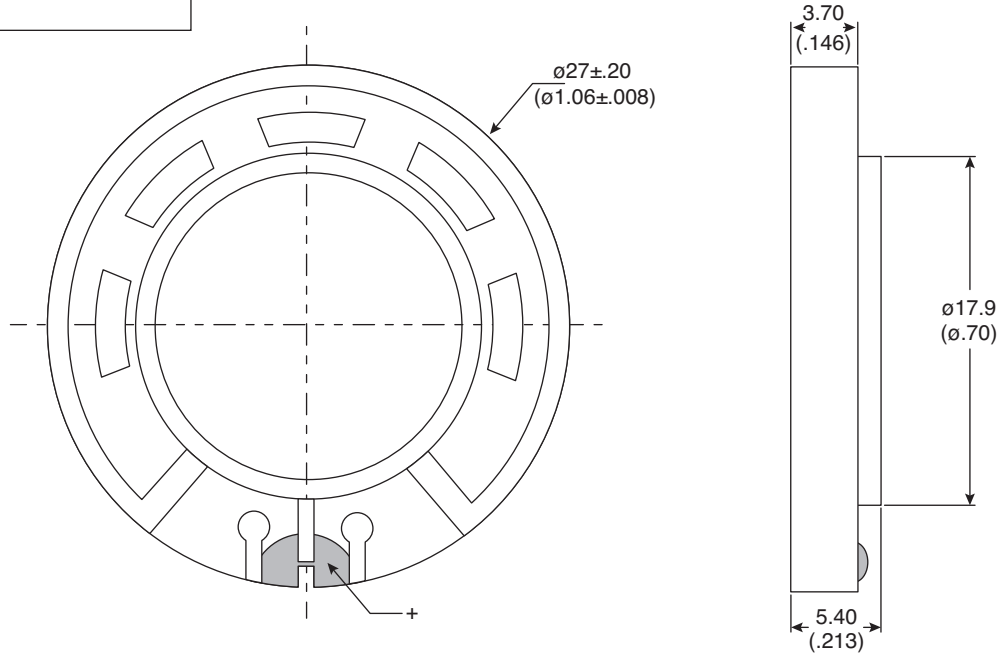
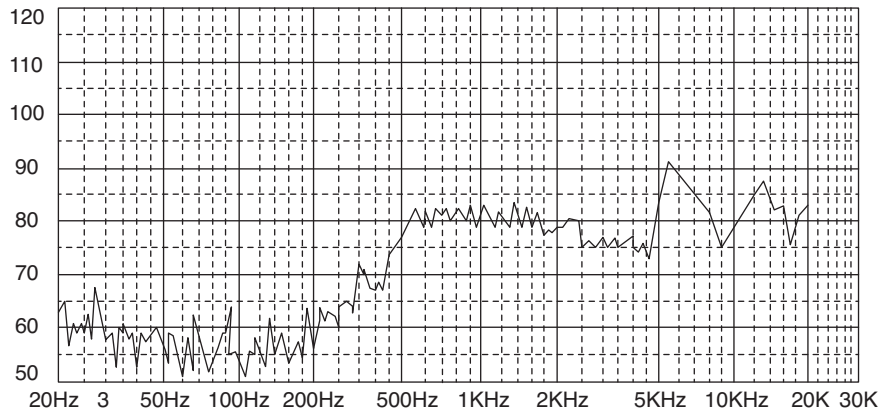


Part Number:

254-PS604-RO



Speaker



KT-400278

Electrical Specifications:

- Nominal Impedance: $32\Omega \pm 15\%$ @ 1400Hz/1.0V
- Power Rating: Normal 0.2W Maximum 0.5W
- Lowest Resonant Frequency: $680 \pm 150\text{Hz}$
- Output Sound Pressure Level (S.P.L.): $80 \pm 3\text{dB}$ / 0.2W
0.5 Meter. Avg at 1000 ~ 2000Hz
- Frequency Range: 400 ~ 7,000Hz average SPL-10 dB
- Distortion: Max. 5% at 1000Hz 0.2W

Material:

- Magnet: NdFeB
- Weight: 5.0g

Note:

- RoHS Compliant

Mouser Electronics

Authorized Distributor

Click to View Pricing, Inventory, Delivery & Lifecycle Information:

[Kobitone:](#)

[254-PS604-RO](#)