

# Board Level Cooling – Low Profile Channel



## BOARD LEVEL COOLING - Low Profile Channel

Low Profile Channel is a narrow channel board level heat sink designed to cool TO-220 devices. Representative image only.



## ORDERING INFORMATION

Part Number	Device Type
507302B00000G	TO-220

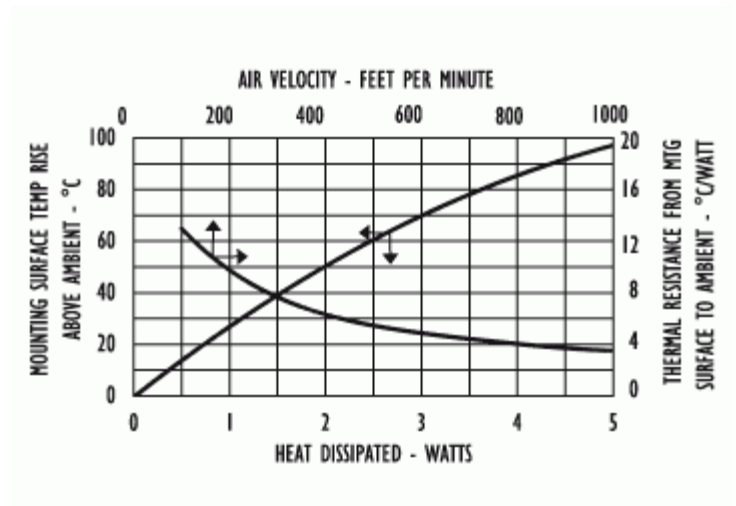
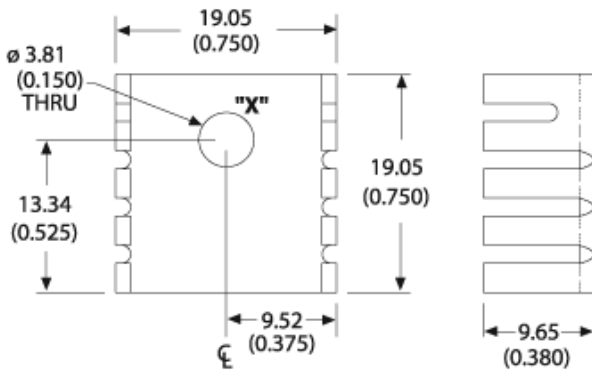
## HEAT SINK DETAILS

Property	Details
Material	Aluminum
Finish	Black Anodize
Device Attachment Options	Screw & Nut, Mounting Kit
Thermal Interface Material	-

Property	Details
Heat Sink Width (mm)	19.05
Heat Sink Length (mm)	19.05
Heat Sink Height (mm)	9.65
Heat Sink Mounting Direction	Horizontal, Vertical

## MECHANICAL & PERFORMANCE

Drawing dimensions are shown in mm, (in)



# Mouser Electronics

Authorized Distributor

Click to View Pricing, Inventory, Delivery & Lifecycle Information:

[Aavid Thermalloy:](#)

[507302B00000G](#)