



BOARD LEVEL COOLING - Channel 7130

Channel 7130 is a series of channel board level heat sinks designed to cool TO-220 and TO-220-single gauge devices. Representative image only.

ORDERING INFORMATION

| Part Number | Device Type |
|-------------|-----------------------------|
| 7136DG | TO-220, TO-220-single gauge |
| 7139DG | TO-220, TO-220-single gauge |

HEAT SINK DETAILS

| Property | Details |
|----------------------------|--------------------------|
| Material | Copper |
| Finish | Tin Plated |
| Device Attachment Options | Integrated Mounting Clip |
| Thermal Interface Material | - |



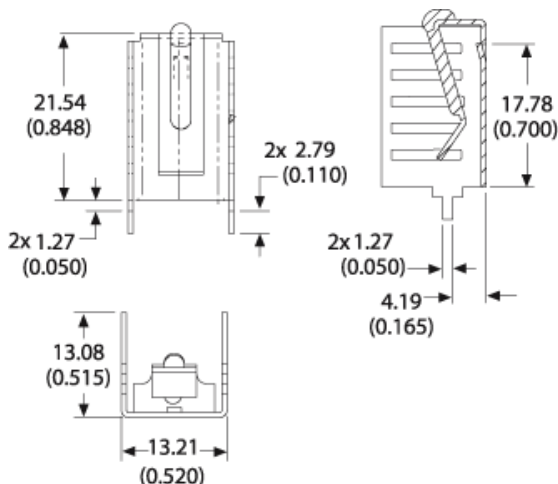
| Property | Details |
|------------------------------|----------------------|
| Heat Sink Width (mm) | 13.21 |
| Heat Sink Length (mm) | 13.08 |
| Heat Sink Height (mm) | See "A" Dim below |
| Heat Sink Mounting Direction | Vertical, Horizontal |

MECHANICAL & PERFORMANCE

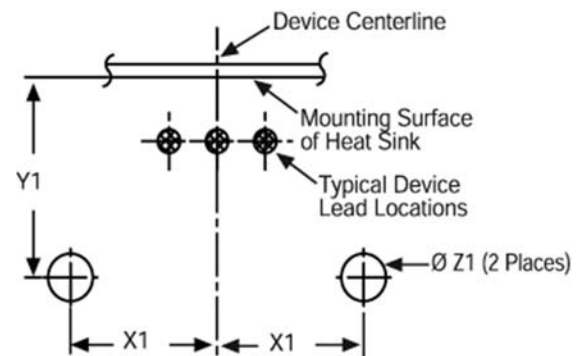
Drawing dimensions are shown in mm, (in)

| Part Number | "A" Dim | "X" Dim | "Y" Dim | "Z" Dim |
|-------------|---------|--------------|--------------|--------------|
| 7136DG | 21.54 | 6.30 (0.248) | 4.83 (0.190) | 2.54 (0.100) |
| 7139DG | 19.81 | - | 1.40 (0.055) | 2.54 (0.100) |

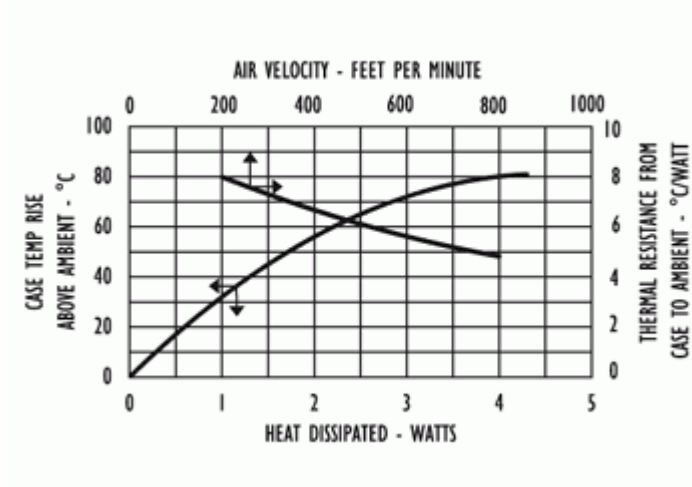
Part Number: 7136DG



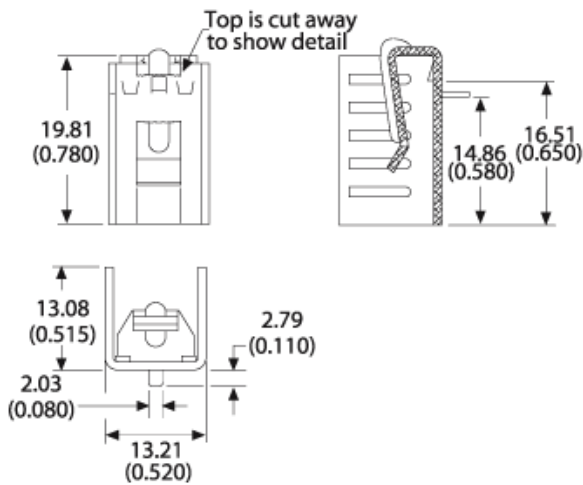
Mounting Details:



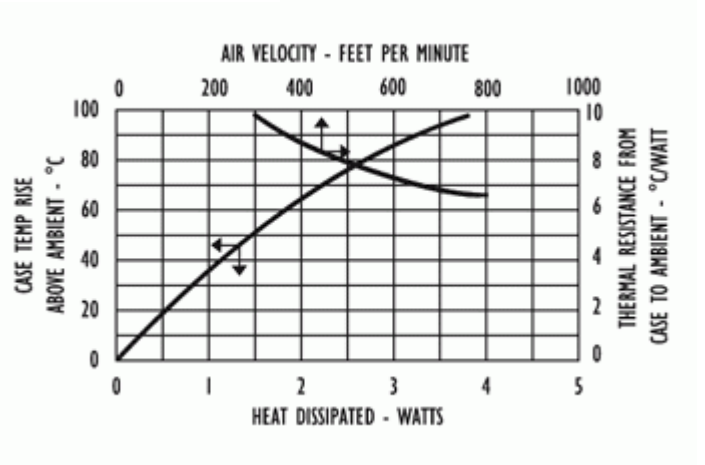
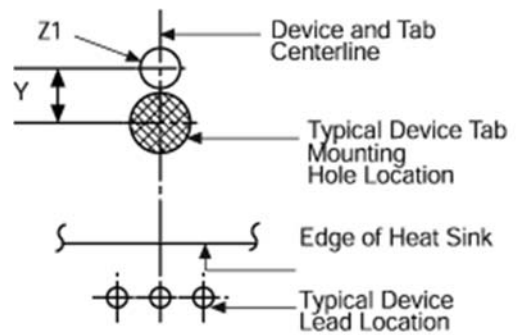
Board Level Cooling – Channel 7130



Part Number: 7139DG



Mounting Details:



Mouser Electronics

Authorized Distributor

Click to View Pricing, Inventory, Delivery & Lifecycle Information:

[Aavid Thermalloy:](#)

[7139DG](#) [7136DG](#)